



# Series: Specification Sheet

The LUX 360+ series marries architectural **STYLE** with highbay **PERFORMANCE**. With as high as **6000 LUMENS PER FOOT** and up to **4 ILLUMINATED SIDES**, this multipurpose luminaire is more **VERSATILE** than anything else on the market. Made from **EXTRUDED 6463 ALUMINUM**, the 360+ series is a lasting and high-performing option for almost any lighting project.



## Performance

- Lumen output: **7,500 up to 36,000 lumens**
- Efficacy: **Up to 179 Lumens per Watt**
- L<sub>70</sub> (per TM-21): **72,000 Hours**
- L<sub>70</sub> (calculated): **147,000 Hours**
- Ambient Temp. Rating: **-40°F to 104°F (-40°C to 40°C)**  
Ambient temperature rating varies for auxiliary components
- Surge Protection: **6kV (10kV Option Available)**

## Construction

- Extruded 6463 aluminum construction
- Stainless-steel hardware
- Bright dip anodized fixture body
- Hinged lid for easy access to driver channel

## Optics

- Wide 120° to 360° beam angle
- Diffusing lens available in clear and white
- Acrylic and polycarbonate lens materials available

## Warranty

- 10-Year Warranty on fixture body
- 5-Year Warranty on electronics
- For special requests, contact factory

## Applications

- Strip lighting
- Cove lighting
- Natatoriums
- Low mounted task lighting
- Gymnasiums/Sports facilities
- Warehouses
- Manufacturing/Industrial
- Commercial Indoor/Architectural

## Installation

- Aircraft cable suspension
- Surface mounting
- Rigid pendant mounting (with or without powerfeed)
- Near-seamless tandem mounting available
- Custom mounts available, contact factory

## Listing and Ratings

- UL 1598 for Dry, Damp and Canopy Locations
- ARRA/BAA Compliant (Made in America)
- BABA Compliant Options Available, Consult Factory
- Exceeds IK10 impact rating with polycarbonate lenses
- IK10 rating does not apply to acrylic lenses
- DLC Listed



Example Catalog Number:

360P      4      URD      835      U10      HM

Series	Fixture Length	Illuminated Sides	CRI / CCT	Voltage and Dimming	Endcap
<b>360P</b>   360 Plus Series	<b>2</b>   2' (23.1375") <b>4</b>   4' (46.20") <b>8</b>   8' (92.20")  When using AM endcap, add 0.3" to overall length  Fixture length is nominal, see page 4 for exact dimensions	<b>U</b> Up <b>R</b> Right <b>D</b> Down <b>L</b> Left  Any combination of "U", "R", "D", and "L" may be used	865 80CRI 6500K 857 80CRI 5700K 850 80CRI 5000K 840 80CRI 4000K 835 80CRI 3500K 830 80CRI 3000K 827 80CRI 2700K 950 90CRI 5000K 940 90CRI 4000K 935 90CRI 3500K 927 90CRI 2700K TW* Tunable White RGBW* RBG with XXX <small>GREYED options not stocked and may need additional lead time                      *Options significantly decrease lumen output, contact factory for more information</small>	<b>U10</b> 120-277V 0-10V dimming 10% min. <b>U1</b> 120-277V 0-10V dimming 1% min. <b>H10</b> 347/480V 0-10V dimming 10% min. <b>H1</b> 347/480V 0-10V dimming 1% min. <b>DALI</b> 120-277V DALI control 0% min. <b>DMX*</b> 120-277V DMX control  <b>Dimming curves and other operating characteristics may vary between models</b> <small>*Option significantly decreases lumen output, contact factory for more information</small>	<b>HM</b> Hanger Mount endcap, industrial finish <b>SM</b> Surface Mount endcap, industrial finish <b>Please specify wall or ceiling for SM</b> <b>VS</b> Vertical Stem mount endcap <b>MH1 accessory included</b> <b>AM</b> Architectural Mount aluminum endcap <b>Please specify cable or surface mounting if surface, please specify wall or ceiling</b>

## Options and Accessories

### Lensing

- CA** Clear acrylic diffuse lens
- WA** White acrylic diffuse lens
- CP** Clear polycarbonate diffuse lens
- WP** White polycarbonate diffuse lens

"2", "4", or "8" denotes fixture length.  
 Nominal data based off "WA" lens option

### Power Feed

**(leave blank)** Cords/wire leads provided through endcap **(Standard)**

- WB** Wire through body, cords/wire leads provided through side/top/bottom of fixture  
 Please consult with factory for powerfeed location for WB option

WB option not available on 4-sided luminaire.  
 Power feed not available through any illuminated face of fixture.

### Custom Output

- CFO** Custom fixture output. Specify desired lumens per foot

### Cord

(leave blank)	No cord provided	Wire leads provided
<b>3/10</b>	3-wire, 10' cord	Standard white
<b>4/10</b>	4-wire, 10' cord	Standard white
<b>5/10</b>	5-wire, 10' cord	Standard white
<b>6/10</b>	6-wire, 10' cord	Standard white
<b>3/20</b>	3-wire, 20' cord	Standard white
<b>4/20</b>	4-wire, 20' cord	Standard white
<b>5/20</b>	5-wire, 20' cord	Standard white
<b>6/20</b>	6-wire, 20' cord	Standard white
<b>3/30</b>	3-wire, 30' cord	Standard white
<b>4/30</b>	4-wire, 30' cord	Standard white
<b>5/30</b>	5-wire, 30' cord	Standard white
<b>6/30</b>	6-wire, 30' cord	Standard white

**Other cord lengths and multi-circuit wiring available**  
 1<sup>st</sup> digit: Number of wires, including ground. Available from 3 through 6  
 2<sup>nd</sup> digit: Overall length, including strips. Available from 10' through 30'

### Finish

- (leave blank)** Standard finish endcaps (as shown on specification sheet)
- PC** Powder coated endcaps, must specify RAL number
- AM endcap standard natorium-grade bright dip anodized aluminum
- HM, SM, and VS endcaps standard mill finish
- Fixture body will remain bright dip anodized aluminum with PC option

Some options may affect lead time

All reported performance data is nominal and delivered with 835 CRI/CCT and WA lens option - Static white ONLY

Options and Accessories Continued

**Emergency**

Contact factory

**Tandem Mounting**

Near-Seamless tandem mounting available.  
Contact factory.

**Mounting Accessories**

- 1P10** AC cable for **horizontal** fixture mounting, up to 10' length, snap hook (single)
- 1P20** AC cable for **horizontal** fixture mounting, up to 20' length, snap hook (single)
- 1P30** AC cable for **horizontal** fixture mounting, up to 30' length, snap hook (single)
- 2P10** AC cable for **horizontal** fixture mounting, up to 10' length, snap hook
- 2P20** AC cable for **horizontal** fixture mounting, up to 20' length, snap hook
- 2P30** AC cable for **horizontal** fixture mounting, up to 30' length, snap hook
- 2P10V** Adjustable AC cable for **vertical** fixture mounting, up to 10' length, snap hook
- 2P20V** Adjustable AC cable for **vertical** fixture mounting, up to 20' length, snap hook
- 2P30V** Adjustable AC cable for **vertical** fixture mounting, up to 30' length, snap hook
- MH1** 1-point 1/2" IP threaded hub to mount to 1/2" conduit, vertical mount only
- MH2** 2-point 1/2" IP threaded hub to mount to 1/2" conduit, horizontal mount only

Vertical mounting only available with AM and VS endcap  
MH2 option for horizontal mounting not available for 2' or 4-sided models

**Sensors/Controls**

- OC-KO** Knockout mounted high/low/off occupancy and daylight harvesting sensor (120-277V)
- OCKH** Knockout mounted high/low/off occupancy and daylight harvesting sensor (347/480V) **High voltage**
- Wireless Control** Multiple wireless control systems available. Contact factory for options and details.
- AT** Asset tracking

LUX is controls-agnostic and can use most requested control systems

**Application**

- AFH** Arena or field house *(polycarbonate lensing recommended)*
- ARCH** Architectural
- BABA** Build America Buy America (BABA) compliant *(Not all configurations meet BABA, consult Factory)*
- COM** Commercial application
- COR\*** Caustic and natatorium environments *(Includes concormal coated LED modules)*
- COV** Cove lighting
- DATA** Data entry and server room applications
- FRZ** Freezer or cold storage
- GAR** Garage or canopy
- GYM** Gymnasium or sports court *(polycarbonate lensing required)*
- HNG** Hangar
- ICE** Ice rink *(polycarbonate lensing recommended)*
- MFG** Manufacturing or industrial
- TC** Tennis court *(polycarbonate lensing recommended)*
- WHS** Warehousing or storage



# 360P Performance

2' Length Performance based on 3500K CCT					4' Length Performance based on 3500K CCT					8' Length Performance based on 3500K CCT				
CA Lens	Description/ Model Number	Lumens	Watts	Efficacy	CA Lens	Description/ Model Number	Lumens	Watts	Efficacy	CA Lens	Description/ Model Number	Lumens	Watts	Efficacy
	4-Sides Illuminated 360P-2-URDL-835-XXX-CA	8,996	51	176		4-Sides Illuminated 360P-4-URDL-835-XXX-CA	17,993	103	175		4-Sides Illuminated 360P-8-URDL-835-XXX-CA	35,986	207	174
	3-Sides Illuminated 360P-2-XXX-835-XXX-CA	9,304	52	179		3-Sides Illuminated 360P-4-XXX-835-XXX-CA	18,609	104	179		3-Sides Illuminated 360P-8-XXX-835-XXX-CA	37,218	208	179
	2-Sides Illuminated 360P-2-XX-835-XXX-CA	9,111	53	172		2-Sides Illuminated 360P-4-XX-835-XXX-CA	18,222	105	174		2-Sides Illuminated 360P-8-XX-835-XXX-CA	36,444	211	173
	1-Sides Illuminated 360P-2-X-835-XXX-CA	8,735	54	162		1-Sides Illuminated 360P-4-X-835-XXX-CA	17,471	108	162		1-Sides Illuminated 360P-8-X-835-XXX-CA	34,942	216	162
CP Lens	Description/ Model Number	Lumens	Watts	Efficacy	CP Lens	Description/ Model Number	Lumens	Watts	Efficacy	CP Lens	Description/ Model Number	Lumens	Watts	Efficacy
	4-Sides Illuminated 360P-2-URDL-835-XXX-CP	8,377	51	164		4-Sides Illuminated 360P-4-URDL-835-XXX-CP	16,754	103	163		4-Sides Illuminated 360P-8-URDL-835-XXX-CP	33,508	207	162
	3-Sides Illuminated 360P-2-XXX-835-XXX-CP	8,664	52	167		3-Sides Illuminated 360P-4-XXX-835-XXX-CP	17,328	104	167		3-Sides Illuminated 360P-8-XXX-835-XXX-CP	34,655	208	167
	2-Sides Illuminated 360P-2-XX-835-XXX-CP	8,484	53	160		2-Sides Illuminated 360P-4-XX-835-XXX-CP	16,967	105	162		2-Sides Illuminated 360P-8-XX-835-XXX-CP	33,935	211	161
	1-Sides Illuminated 360P-2-X-835-XXX-CP	8,134	54	151		1-Sides Illuminated 360P-4-X-835-XXX-CP	16,268	108	151		1-Sides Illuminated 360P-8-X-835-XXX-CP	32,536	216	151
WA Lens	Description/ Model Number	Lumens	Watts	Efficacy	WA Lens	Description/ Model Number	Lumens	Watts	Efficacy	WA Lens	Description/ Model Number	Lumens	Watts	Efficacy
	4-Sides Illuminated 360P-2-URDL-835-XXX-WA	8,048	51	158		4-Sides Illuminated 360P-4-URDL-835-XXX-WA	16,095	103	156		4-Sides Illuminated 360P-8-URDL-835-XXX-WA	32,190	207	156
	3-Sides Illuminated 360P-2-XXX-835-XXX-WA	8,323	52	160		3-Sides Illuminated 360P-4-XXX-835-XXX-WA	16,646	104	160		3-Sides Illuminated 360P-8-XXX-835-XXX-WA	33,292	208	160
	2-Sides Illuminated 360P-2-XX-835-XXX-WA	8,150	53	154		2-Sides Illuminated 360P-4-XX-835-XXX-WA	16,300	105	155		2-Sides Illuminated 360P-8-XX-835-XXX-WA	32,600	211	155
	1-Sides Illuminated 360P-2-X-835-XXX-WA	7,814	54	145		1-Sides Illuminated 360P-4-X-835-XXX-WA	15,628	108	145		1-Sides Illuminated 360P-8-X-835-XXX-WA	31,256	216	145
WP Lens	Description/ Model Number	Lumens	Watts	Efficacy	WP Lens	Description/ Model Number	Lumens	Watts	Efficacy	WP Lens	Description/ Model Number	Lumens	Watts	Efficacy
	4-Sides Illuminated 360P-2-URDL-835-XXX-WP	6,482	51	127		4-Sides Illuminated 360P-4-URDL-835-XXX-WP	12,965	103	126		4-Sides Illuminated 360P-8-URDL-835-XXX-WP	25,930	207	125
	3-Sides Illuminated 360P-2-XXX-835-XXX-WP	6,704	52	129		3-Sides Illuminated 360P-4-XXX-835-XXX-WP	13,409	104	129		3-Sides Illuminated 360P-8-XXX-835-XXX-WP	26,817	208	129
	2-Sides Illuminated 360P-2-XX-835-XXX-WP	6,565	53	124		2-Sides Illuminated 360P-4-XX-835-XXX-WP	13,130	105	125		2-Sides Illuminated 360P-8-XX-835-XXX-WP	26,260	211	124
	1-Sides Illuminated 360P-2-X-835-XXX-WP	6,294	54	117		1-Sides Illuminated 360P-4-X-835-XXX-WP	12,589	108	117		1-Sides Illuminated 360P-8-X-835-XXX-WP	25,177	216	117

## Lumen Multipliers

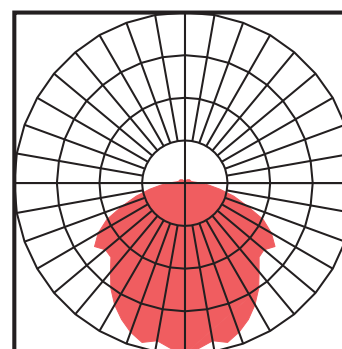
CCT	
Standard = 3500K CCT	
6500K	105.3%
5700K	105.3%
5000K	105.3%
4000K	105.3%
3500K (nominal)	100.0%
3000K	100.0%
2700K	94.7%

Lens	
Standard = WA Lens	
CA	111.8%
CP	104.1%
WA (nominal)	100.0%
WP	80.6%

CRI	
Standard = 80 CRI	
80 CRI (nominal)	100.0%
90 CRI	
5700K (90 CRI)	85.0%
5000K (90 CRI)	85.0%
4000K (90 CRI)	85.0%
3500K (90 CRI)	84.2%
3000K (90 CRI)	79.0%
2700K (90 CRI)	83.3%
2200K (90 CRI)	80.0%

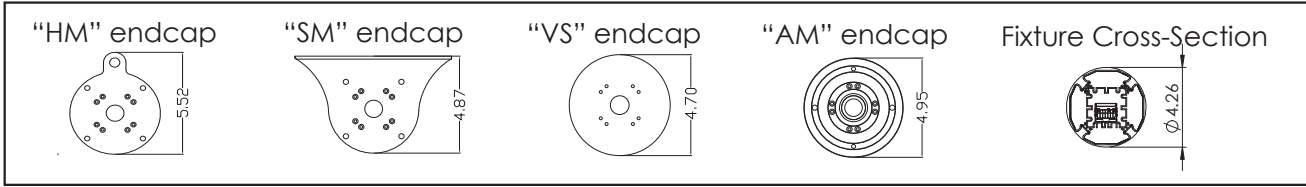
## Optical Distribution

Lensed (CA, CP, WA, or WP) wide/diffused optic achieved using any of our standard lenses

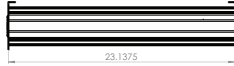
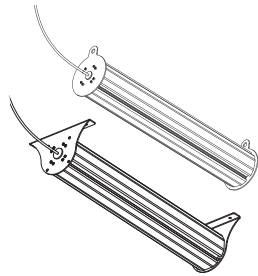


Single Side

# Fixture Dimensions



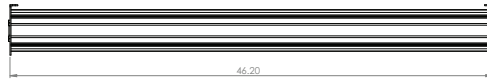
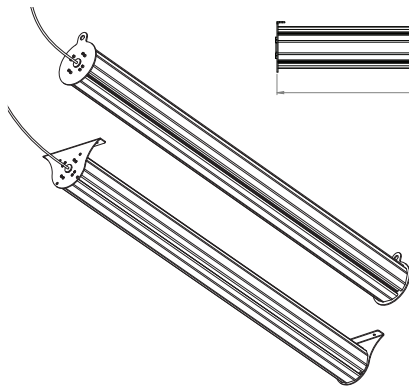
## 2' Fixture Dimensions



### 360P-2-XXX-XXX

Overall Length: 23.1375"  
 Overall Length With AM Endcap: 23.4375"  
 Overall Width: 4.7"  
 Overall Height: 5.8"  
 Weight (no cord): 5 lbs

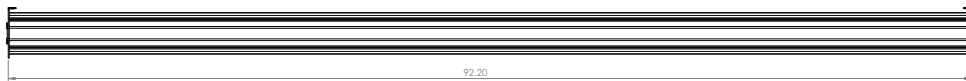
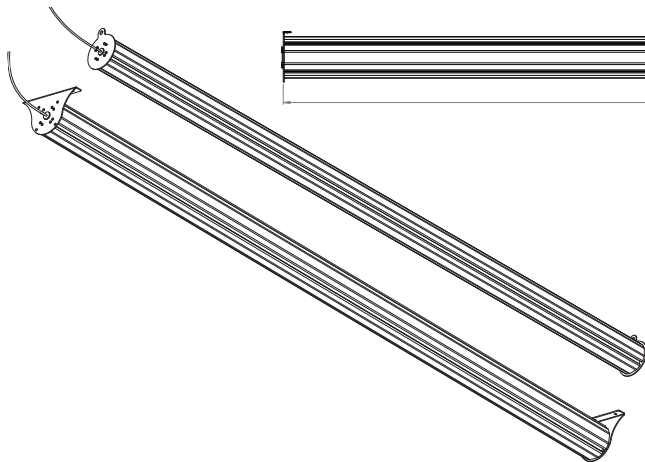
## 4' Fixture Dimensions



### 360P-4-XXX-XXX

Overall Length: 46.2"  
 Overall Length With AM Endcap: 46.5"  
 Overall Width: 4.7"  
 Overall Height: 5.8"  
 Weight (no cord): 10 lbs

## 8' Fixture Dimensions



### 360P-8-XXX-XXX

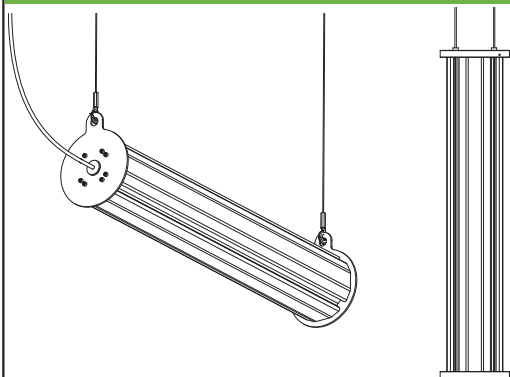
Overall Length: 92.2"  
 Overall Length With AM Endcap: 92.5"  
 Overall Width: 4.7"  
 Overall Height: 5.8"  
 Weight (no cord): 20 lbs

**CUSTOM configurations are available**  
**Please feel free to contact us for OPTIONS**



# Mounting Options

## Hanger Mount

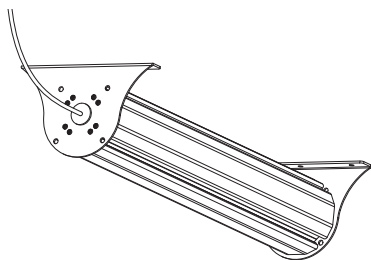


- Part Numbers:
- 2P10, 2P10S, 2P10V** - Aircraft cable **10'** in length with snap hook (1 pair of cables)
  - 2P20, 2P20S, 2P20V** - Aircraft cable **20'** in length with snap hook (1 pair of cables)
  - 2P30, 2P30S, 2P30V** - Aircraft cable **30'** in length with snap hook (1 pair of cables)

- Standard hangers galvanized steel
- "S" in part number denotes natatorium-grade stainless steel
- "V" in part number denotes vertical cable mounting

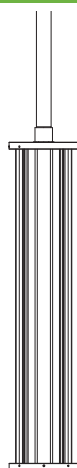
## Surface Mount

### Ceiling/Wall Mounting

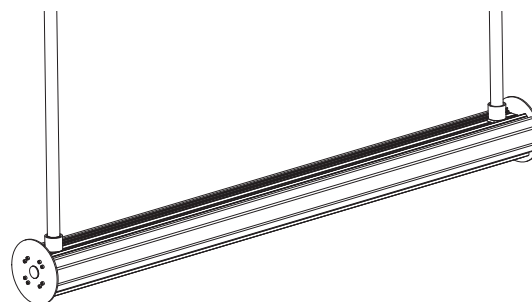


Part Number:  
**SM - Ceiling/Wall mount.** Fixture may be anchored flush to any suitable substrate using mounting holes provided in fixture's endcap.  
**Mounting hardware supplied by others.**

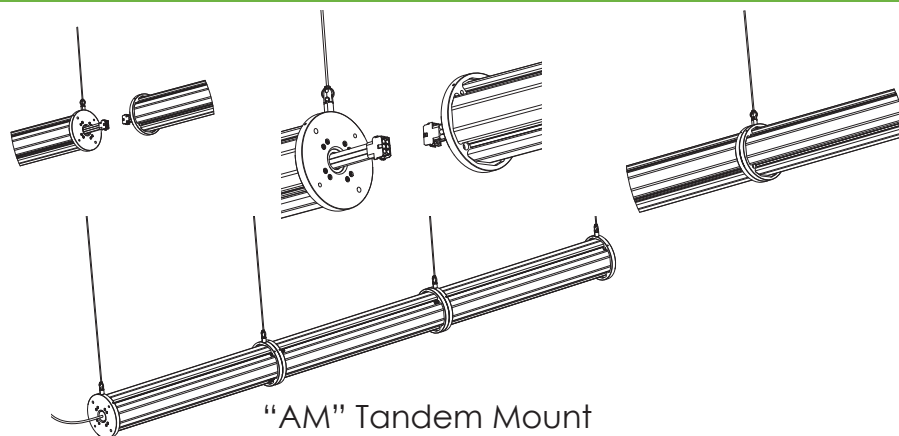
## Rigid Stem Mount



Part Number:  
**MH1 - 1-point rigid stem mount.** 1/2" IP threaded hub to mount to 1/2" conduit. MH1 Vertical For use **only** with AM and VS endcap.  
**MH2 - 2-point rigid stem mount.** 1/2" IP threaded hub to mount to 1/2" conduit. Horizontal mounting only.  
**Stem/threaded rod not provided**



## Tandem Mount



"AM" Tandem Mount  
**Hanger Mounting**

- Consult factory for tandem mounting options
- Near seamless run of fixtures in 2', 4', and 8' increments
- Tandem-bracket locking mechanism along with quick-connect allows for easy installation
- Cable and surface mounting available
- Run length limitations may exist depending on application

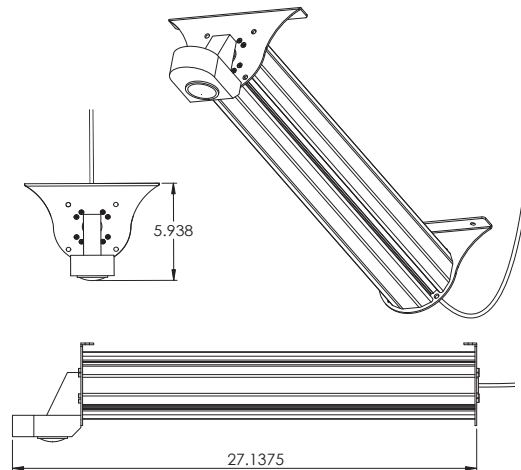
## Sensors and Controls

### Part Numbers:

- OCK** - (For 120-277V installations) Occupancy sensor. Options include: ON/OFF, HI/LOW/OFF,....
- OCKH** - (For 347/480V installations) Occupancy sensor. Options include: ON/OFF, HI/LOW/OFF,....
- DOK** - (For 120-277V installations) Occupancy and Daylight sensor. Options include: ON/OFF, HI/LOW/OFF,....
- DOKH** - (For 347/480V installations) Occupancy and Daylight sensor. Options include: ON/OFF, HI/LOW/OFF,....

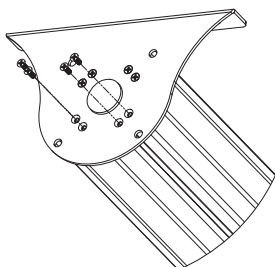
### Notes:

- Uses 0-10V control signal
- Ambient temperature range: -10° to 60°C
- Mounting height: approximately 15ft. to 45ft.
- Approximate coverage area: 15ft. to 20ft. approximate radial coverage (30ft. to 40ft. coverage diameter)
- Sensor includes occupancy (PIR) and daylight harvesting (Photocell) capabilities
- Sensor programming is set to default unless otherwise specified. See sensor programming sheet for default settings and other options

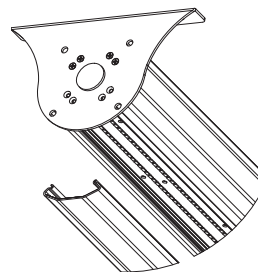


## Electronic Channel Access

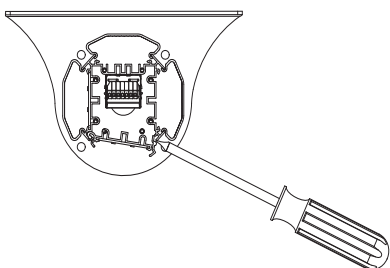
- 1** Remove (4) screws holding lid in place. Lid screws are located on opposite side of mounting point.



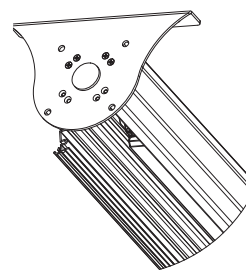
- 2** Remove lens from "lid" side of 360 extrusion.



- 3** Find seam in 360 channel/lid and use flathead screwdriver to open lid.

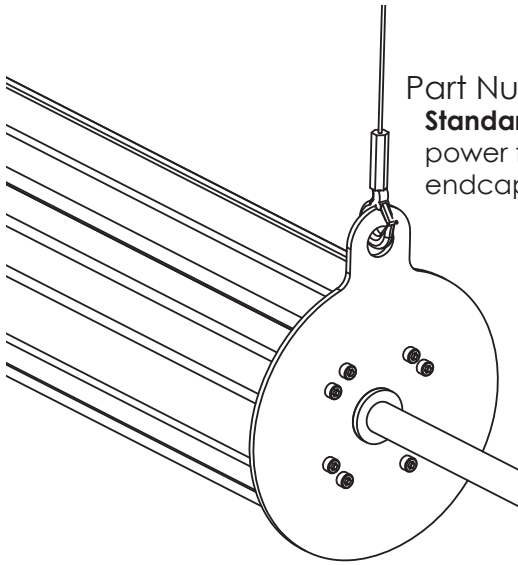


- 4** Once maintenance is complete, secure lid by snapping shut, replacing (4) screws, and replacing lens.

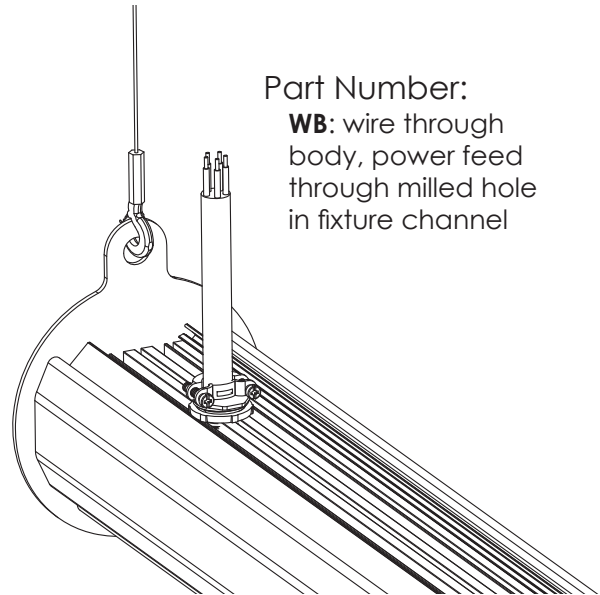


**Power Feed Location**

Fixture power feed location may utilize knockout on endcap or milled hole in the fixture. Consult factory for options.



Part Number:  
**Standard (leave blank):**  
 power feed through  
 endcap knockout



Part Number:  
**WB:** wire through  
 body, power feed  
 through milled hole  
 in fixture channel

