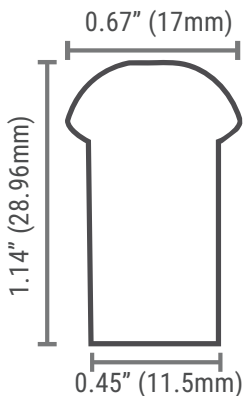


This is a spec-grade indoor/outdoor flexible silicone DRGBW neon that showcases a modern, energy-efficient way to achieve a classic, attention-grabbing neon look. Round top, side-bend with exceptional, custom-injection molded finishing. Salt and UV resistant (anti-yellowing).

Physical

IP Rating	IP68
Ambient Temp	-40° to 113°F (-40° to 45°C)
Mounting Options	Channels Clips
Cut Length	4.92" (124.97mm) <i>(this info is for reference only; product is not to be modified in the field)</i>
Min. Bend Diameter (side bend)	4.72" (119.9mm)
Dimensions	See Below



Quality, Reliability, Safety

Warranty	5 years
Lumen Maintenance (TM-21 L70 projections based on light source LM80 data)	NA
Certifications	cULus listed IK10 protection



Electrical

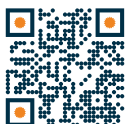
Voltage	24V
Power	4.6 W/ft
Max Run Length (adjusted for cut length)	20.77' (6.33M)
Wire Qty	3 wires
Leads Wire Options	1M or 3M
Jumper	11.81" (300mm)

Please note:

- To avoid signal errors, the max acceptable distance from the decoder to the tape/fixture is 16.4'
- Can only be controlled using DRGBW specific controls:
 - > Control Method: SPI, no clock
 - > Chip Set: UCS 2904

Product SKUs	Lead time	Output Lm/Ft			
		Red	Green	Blue	White
NF-NR-IP68-24V-27K-DRGBW-AIM	4-6 weeks	12	34	6	34
NF-NR-IP68-24V-30K-DRGBW-AIM	4-6 weeks	12	34	6	34
NF-NR-IP68-24V-40K-DRGBW-AIM	4-6 weeks	12	34	6	34

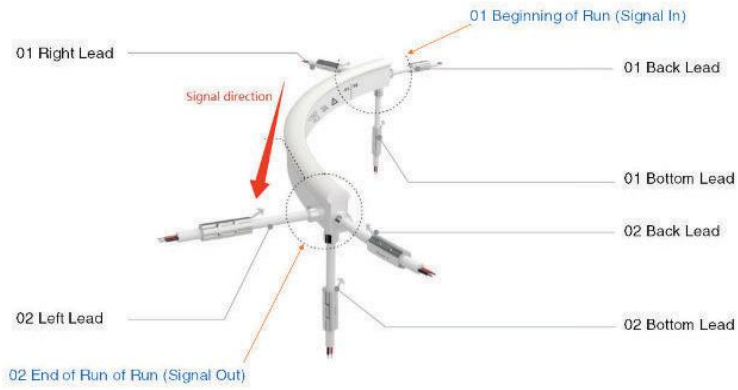
Actual values can vary +/- 10%.



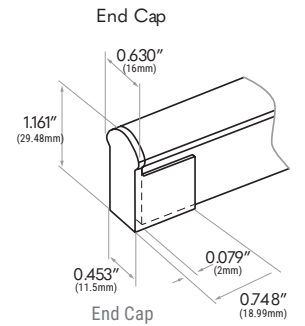
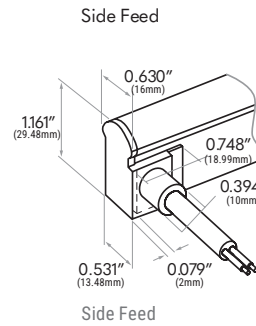
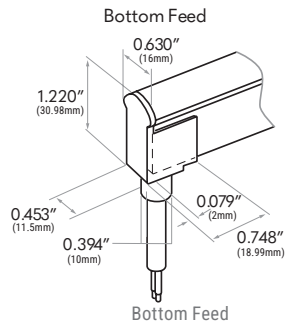
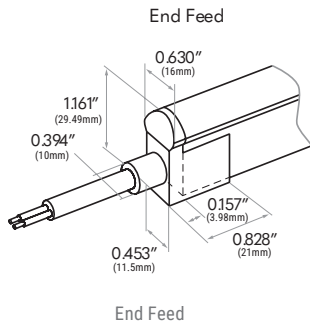
Quick Links | For more information
 Product page contains photometric files, installation guide, power and controls compatibility.

Note: We can run specific configurations of light & channel in our gonio with a 5-day lead time. Please consult with your Nova Flex Sales rep.

Lead Wire Orientation



Injection Molded Front Connectors And End Cap

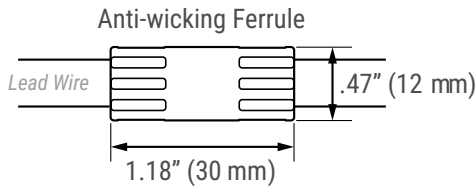


Tolerance +/- 0.02 inches/.51mm

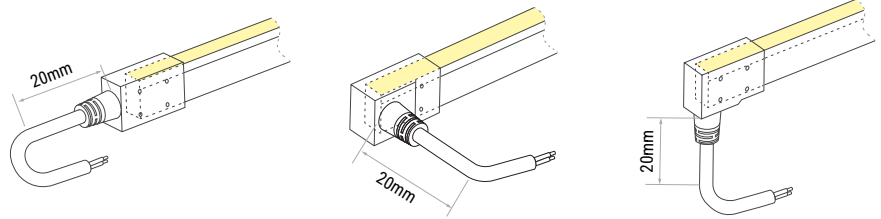
Mounting Options

	SKU	Dimensions	Mounting
	NF-CH-NEON-ROUND-SR-2M-SL	width: 0.63" (15.9mm) height: 0.976" (24.8mm) length: 6.56' (2M)	<p>Straight (Rigid) Aluminum Profile</p> <p>Each 2M/6.56' section of channel has ten pre-drilled holes and includes ten screws. Use anchors if needed.</p> <ul style="list-style-type: none"> • See <i>Installation Notes</i>, next page
	NF-CH-NEON-ROUND-SR-CLIP	width: 0.63" (15.9mm) height: 0.976" (24.8mm) length: 0.79" (20.0mm)	<p>Silver Aluminum Clip</p> <p>Each clip has pre-drilled holes and includes one screw. Always use one clip near each end of the run (leave a .79"/20mm gap between the outside edge of the clip and the inside edge of each endcap); we generally recommend 7-10 clips per 3.3'/1.01M.</p> <ul style="list-style-type: none"> • For ceiling installs, we recommend ten clips. More may be needed if shaping/curving the neon. • For straight runs on walls, we recommend seven clips. More may be needed if shaping/curving the neon. • See <i>Installation Notes</i>, next page
	NF-CH-NEON-NR/M2N-SPACER		<p>Spacers (for use with rigid aluminum profile)</p> <p>Required for use outdoors</p> <ul style="list-style-type: none"> • Keeps .197"/5mm gap between channels to manage expansion/contraction, especially on facades • Ensures vertical and horizontal alignment between channels to prevent damage to the fixture, and to make the install process easier <p>Strongly recommended for use indoors</p> <ul style="list-style-type: none"> • Ensures vertical and horizontal alignment between channels to prevent damage to the fixture, and to make the install process easier
	CH-NEON-BRKT-ROT	width: 1.77" (45mm) height: 1.57" (40mm) length: .98" (25mm)	<p>Rotary Locking Bracket (for use with rigid aluminum profile)</p> <ul style="list-style-type: none"> • Includes screw(s) for mounting channel to bracket, and bracket to mounting surface. Use anchors if needed.
	NF-CH-NEON-NR/M2N-BEND-SL-1M	width: .625" (15.9mm) height: .976" (24.8mm) length: 3.28' (1M)	<p>Bendable Aluminum Profile</p> <ul style="list-style-type: none"> • Includes pre-drilled holes and mounting screws. Use anchors if needed. • Minimum bend diameter with toothed side inwards: 7.87"/200mm • Minimum bend diameter with toothed side outward: 4.72"/120mm • 4-6 week lead time • See <i>Installation Notes</i>, next page
	NF-CH-NEON-NR/M2N-FLNG-SR-2M-SL	width upper (flange): 1" (25.5mm) width lower (bottom): .63" (15.9mm) height: .976" (24.8mm) length: 6.56' (2M)	<p>Straight (Rigid) Aluminum Profile w/Flange</p> <p>Each 2M/6.56' section of channel has ten pre-drilled holes and includes ten screws. Use anchors if needed.</p> <ul style="list-style-type: none"> • 4-6 week lead time • See <i>Installation Notes</i>, next page

Installation Notes



Please note, this helps prevent water ingress into the fixture—do NOT cut off.



Please leave a .79\"/>

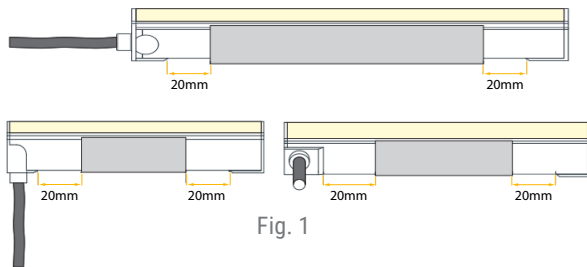


Fig. 1

For indoor installations:

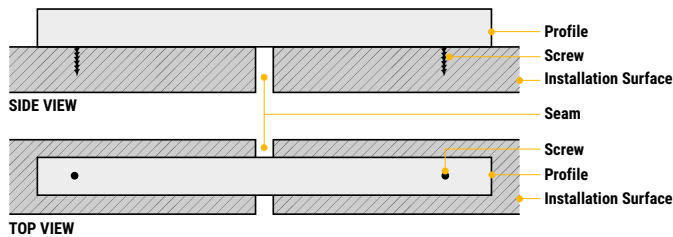
- **Bottom-feed:** for the lead-wire end, the bottom/edge of the channel can be notched on the end with the lead-wire (with drill bit), to allow clearance for the lead wire; in this case, the fixture can run to the end of the channel. If the channel isn't notched, please leave a .79\"/>
- **End-feed:** the molded endcaps on each end can rest inside the channel
- **Left or right feed:** please leave a .79\"/>

For outdoor installations:

- The molded endcaps on each end of the neon should rest outside the channel (see Fig. 1). Please leave a .79\"/>
- Additionally, please leave a .197\"/>
- When mounting on outdoor facades, across joints/seams on the façade, use one of the following two methods:

Seam-mounting method 1

Ensure the mounting profile extends across the seam to protect the light.



Secure screws on both sides of the seams for added reliability

Seam-mounting method 2

Match the light length to each segments.

