

WEATHERWAY

Wet Location LED Emergency Light

The WeatherWay delivers high-performance egress lighting for everyday and emergency use, offering 1530 lumens of pathway illumination and 600 lumens with 60-foot spacing during emergencies. With a sleek, low-profile die-cast aluminum housing, Weatherway blends seamlessly into any architecture while its 90° cutoff reduces glare and light pollution. IP65-certified and rated for temperatures from -13°F to 122°F, and is perfect for exterior wet locations and indoor applications.



CONSTRUCTION

- Quality Pressure Die-Cast Aluminum housing finished in durable polyester powder coat available in Bronze (RAL8014), White (RAL9003), Silver (RAL9022) or Black (RAL9017) Finish
- Latching stainless-steel spring clips snap locks housing to back plate for ease of installation without visible hardware
- Universal field selectable knockout mounting pattern with pre-applied gasket seal
- Optional 0.5" threaded conduit top entry
- Long-life silicone rubber seal
- Large surface area LED heat sinking for optimum LED longevity
- Self-contained electronics and battery
- Quick connect wiring terminal block
- EM models with low-profile sealed Push-to-Test switch
- Polycarbonate UV-resistant, one-piece optic lens assembly

ELECTRICAL

- Field Selectable 120 or 277 VAC 60 HZ input
- Standard Self-Test, Self-Diagnostics performs a monthly test and continuously monitors critical functions to ensure reliability. Manual test may be initiated by depressing the test switch at any time
- Externally accessible test switch includes coded flashing diagnostics LED indicator
- Field-selectable wall switch operation for remote normal use switching (defeats photocell operation)
- Solid-state switching power supply and class 2 driver provides high efficiency
- All models include field-selectable Photocell for dusk-to-dawn operation
- Standard AC only model operating temperature range -13°F to 122°F (-25°C to 50°C)
- Standard EM Model operating temperature range 32°F to 122°F (0°C to 50°)
- Optional Cold Weather (CT) heater package extends operating range to -13°F to 122°F (-25°C to 50°C)
- Premium High Temperature Maintenance-Free Nickel Cadmium battery pack (EM Models) provides required 90 minutes emergency duration

- Power Consumption. EM models: Float charge mode without lamps illuminated 2 watts; Float charge mode with normal lamps illuminated 17 watts. Optional Cold Temperature model adds 15 watts intermittently (thermostat-controlled). AC only models: 17 watts
- Self-compensating solid-state Constant Current charger provides extended float life and rapid 24-hour recharge
- Zero current LVCO ensures positive charge acceptance following an extended battery discharge
- Brownout sensing assures emergency illumination during periods of low-line voltage

ILLUMINATION

- Eight LEDs produce 1530 lumens in normal (mains mode) and 600 lumens in emergency battery backup mode
- One Piece sealed polycarbonate lens contains eight LED's configured in two arrays of four. In the unlikely failure of an LED the remaining array of four LED's will continue to operate.
- 3000°K CCT, CRI ≥ 70, L70 > 72,000 hours
- 15-Watt high output array provides 48' spacing at 8' MH and 60' at 10' MH. See spacing guide.
- CIE type: Direct, IES: Type I Short
- Design Lights Consortium® DLC Qualified: Outdoor Full Cutoff wall-mounted area luminaire
- BUG rating B1-U1-G0, full cutoff classification

CERTIFICATION

- Tested and Listed by Underwriters Laboratories in compliance with UL924 and CSA-C22.2 No. 141-15
- Nema-3R Rated for indoor / outdoor cold-weather and damp locations
- Meets or exceeds all performance standards as required by NFPA 101 Life Safety Code, NEC-70 and OSHA
- IP65 Certified by NTS
- California Title 20 Compliant

WARRANTY

- 5 year limited warranty - view complete warranty terms online at www.evenlite.com/terms-warranty.

ORDERING GUIDE

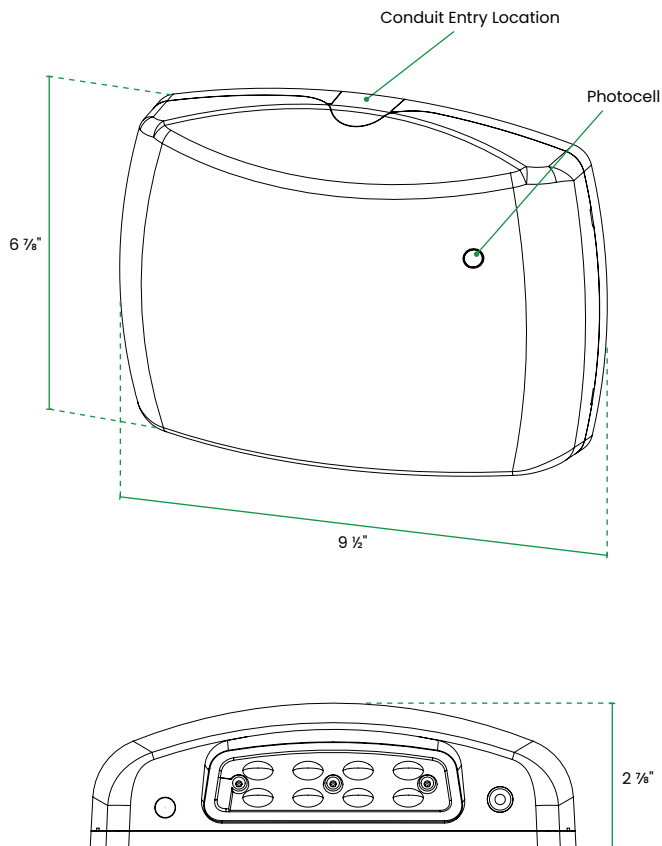
WW-EM-BZ-CT

| MODEL | BATTERY TYPE ¹ | HOUSING COLOR | OPTIONS | ORDERING NOTES |
|-----------|---|-------------------------------|---|---|
| WW | AC AC Only | BZ Bronze ² | CT Cold Temperature Operation ^{6,7} | 1 Includes optional photocell activation that has the option to be bypassed. 2 Bronze: RAL8014 3 Black: RAL9017 4 White: RAL9003 5 Silver: RAL9022 6 -20°C (-4F) 7 EM models only |
| | EM Self-Contained Battery Backup | BK Black ³ | A250210 4000K Lens Array | |
| | | WH White ⁴ | | |
| | | SL Silver ⁵ | | |
| WW | | | | |

Fill in fields from categories above and complete type and part number.

Type No:

Full Part No:

DIMENSIONS

EMERGENCY MODE SPACING GUIDELINES
Space: Outdoor 200' x 200' (1 wall)

Egress Path: 6' from wall

Reflection:

- 0% ceiling
- 30% wall
- 10% floor

Illuminance:

- Average: 1.0 Fc
- Minimum: 0.01 Fc

| MOUNTING HEIGHT | MAXIMUM SPACING CENTER TO CENTER |
|-----------------|-------------------------------------|
| 8' | 48' |
| 9' | 55' |
| 10' | 60' |
| 12' | 53' |
| 14' | 45' |



SPACING GUIDE

WEATHERWAY AC - OUTDOOR

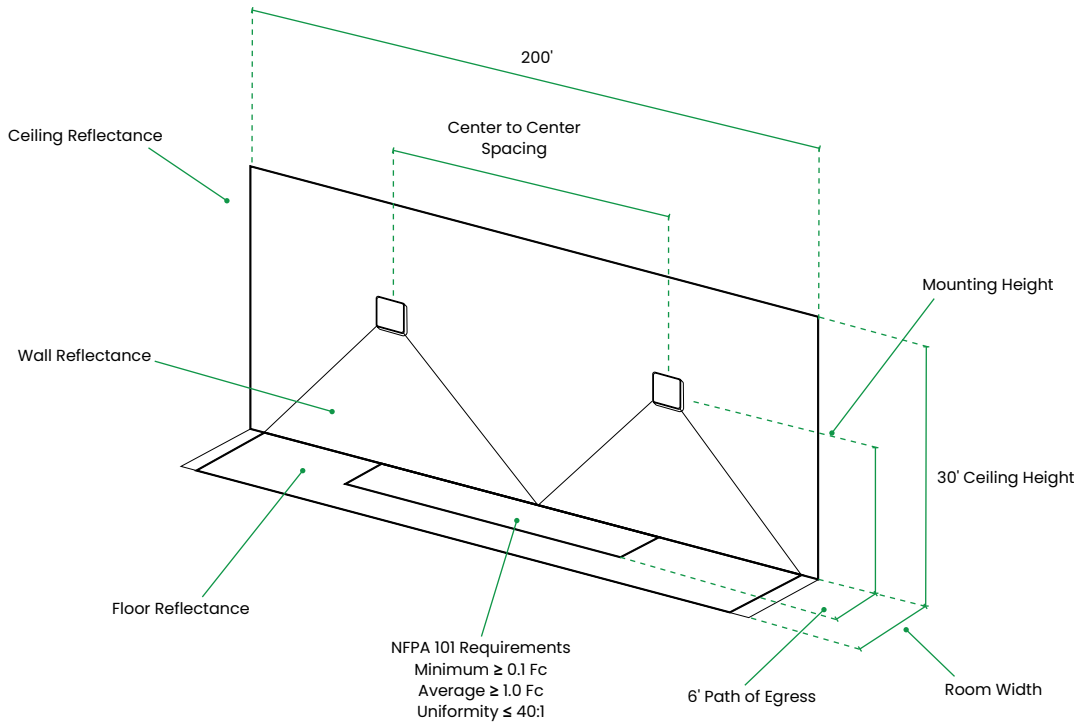
Room Dimensions: 200' x 30' High Mounting Wall
 Reflectance: 0% (Ceiling) | 30% (Wall) | 10% (Floor)
 Path of Egress: 6' Wide

| MOUNTING HEIGHT | CEILING HEIGHT | SPACING CENTER TO CENTER | ROTATION* | NFPA 101 REQUIREMENTS | | |
|-----------------|----------------|--------------------------|-----------|-----------------------|-----------------------|-------------------------------|
| | | | | AVERAGE ≥ 1.0 Fc | MINIMUM ≥ 0.1 Fc | MAXIMUM / MINIMUM $\leq 40:1$ |
| 7.5' | - | 51' | - | 3.52 Fc | 0.12 Fc | - |
| 9' | - | 60' | - | 2.68 Fc | 0.11 Fc | - |
| 10' | - | 66' | - | 2.24 Fc | 0.10 Fc | - |
| 12' | - | 76' | - | 1.64 Fc | 0.11 Fc | - |
| 14' | - | 86' | - | 1.23 Fc | 0.10 Fc | - |

WEATHERWAY EM - OUTDOOR

Room Dimensions: 200' x 30' High Mounting Wall
 Reflectance: 0% (Ceiling) | 30% (Wall) | 10% (Floor)
 Path of Egress: 6' Wide

| MOUNTING HEIGHT | CEILING HEIGHT | SPACING CENTER TO CENTER | ROTATION* | NFPA 101 REQUIREMENTS | | |
|-----------------|----------------|--------------------------|-----------|-----------------------|-----------------------|-------------------------------|
| | | | | AVERAGE ≥ 1.0 Fc | MINIMUM ≥ 0.1 Fc | MAXIMUM / MINIMUM $\leq 40:1$ |
| 7.5' | - | 47' | - | 1.56 Fc | 0.11 Fc | - |
| 9' | - | 55' | - | 1.23 Fc | 0.10 Fc | - |
| 10' | - | 59' | - | 1.08 Fc | 0.10 Fc | - |
| 12' | - | 56' | - | 1.00 Fc | 0.26 Fc | - |
| 14' | - | 49' | - | 1.00 Fc | 0.44 Fc | - |



ADDITIONAL IMAGERY



BRONZE
RAL8014



BLACK
RAL9017



WHITE
RAL9003



SILVER
RAL9022