

TELESIS TEBL

High-Performance LED Emergency Light

Telesis TEBL series sets new standards in high performance LED emergency lights. Available in 600 and 1300 lumen models providing corridor spacing up to 117'. Telesis TEBL3 & 6 Series also feature eco-friendly, high performance long life Lithium Iron Phosphate batteries all packaged in a modern, compact, quick fit housing, designed to compliment most interior applications.



CONSTRUCTION

- Impact resistant, 5VA flame rated injection molded ABS thermoplastic in white or black finish
- High thermal conductive extruded aluminum LED heat sinks provide optimal LED operation and life
- Snap lock latches and retaining hinges provide toolless ease of installation
- Lanyards secure base to housing for ease of installation and ceiling back mount security
- Universal field selectable back plate knock out mounting pattern, or optional top feed conduit entry
- Optional ceiling mount canopy

ELECTRICAL

- Field selectable 120 or 277 VAC input
- 9.6 Volt Long life, High Capacity maintenance free Lithium Iron Phosphate battery, provides required 90 minutes emergency duration and environmentally friendly end of life cycling
- Energy efficient solid state switching power supply meets California Title 20
- Optional Self-Tests, Self-Diagnostics performs a monthly test and continuously monitors critical functions to ensure reliability. Manual test may be initiated by depressing the test switch at any time
- Flush and easily accessible Test Switch and status indicator
- Zero current LVCO ensures positive charge acceptance following an extended battery discharge
- Surge, overload and short circuit protection with battery line latch
- Brownout sensing assures emergency illumination during periods of low line voltage

ILLUMINATION

- TEBL3 and TEBL5 features two high performance 3 watt LED lampheads, each producing 300 lumens (600 lumen unit total) in a narrow spot beam pattern
- TEBL6 features two high performance 6 watt LED lampheads, each producing 650 lumens (1300 lumen unit total) in a narrow spot beam pattern
- Polycarbonate optics can be adjusted for precise aiming distribution
- Center to Center corridor spacings up to 117' see page 2 for spacing charts for corridors and open areas

CERTIFICATION

- Tested and Listed by Underwrites Laboratories in compliance with UL924 and CSA-C22.2 No. 141-15.
- Listed for indoor damp locations 10°C to 40°C
- Meets or exceeds NFPA 101 Life Safety Code, NFPA 70-NEC and OSHA requirements
- California Title 20 Certified

WARRANTY

- 5 year limited warranty- view complete warranty terms online at www.evenlite.com/terms-warranty.

ADDITIONAL IMAGERY



WHITE



BLACK

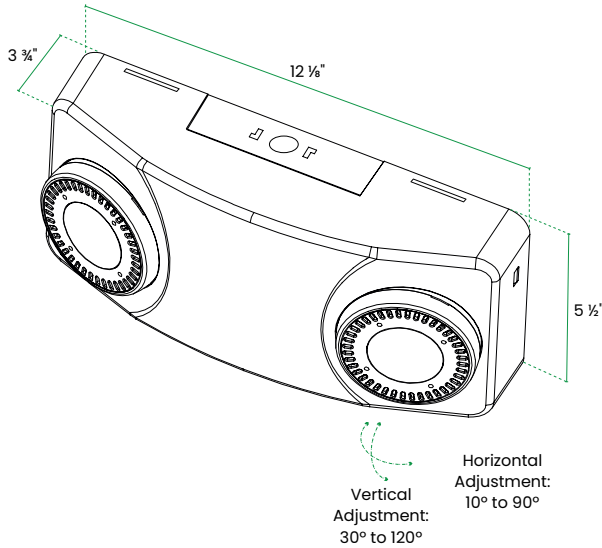
TEBL6W-SD

ORDERING GUIDE

MODEL	ACCESSORIES	ORDERING NOTES
TEBL3W (2) 3 Watt LED Heads, White Housing	TLXCAN Canopy Mounting Kit ¹	<ol style="list-style-type: none"> For ceiling mount installation Dimensions: 7.75" H x 15.375" W x 5.75" D Dimensions: 15.25" H x 13.25" W x 6.0" D 12 LEDs with 1.5W per lamp head
TEBL3W-SD (2) 3 Watt LED Heads, White Housing with Self-Diagnostics	VRWP NEMA 4X / IP65 Vandal Shield ²	
TEBL5W (2) 3 Watt LED Heads, White Housing, 9.6VDC 5.4W Remote Capacity	M990005 Wire Guard ³	
TEBL6W (2) 6 Watt LED Heads, White Housing	PILED1-MV Single Indoor 1W Remote Head	
TEBL6B (2) 6 Watt LED Heads, Black Housing	PILED2-MV Single Indoor 1W (each) Remote Head	
TEBL6W-SD (2) 6 Watt LED Heads, White Housing with Self-Diagnostics	PRWLED1-MV Single Outdoor 1W Remote Head	
TEBL6B-SD (2) 6 Watt LED Heads, Black Housing with Self-Diagnostics	PRWLED2-MV Single Outdoor 1W (each) Remote Head	
	PRWLED1-MV-HL Single Outdoor 1W Remote Head High Lumen Output ⁴	
	PRWLED2-MV-HL Single Outdoor 1W (each) Remote Head High Lumen Output ⁴	

Fill in fields from categories above and complete type and part number.

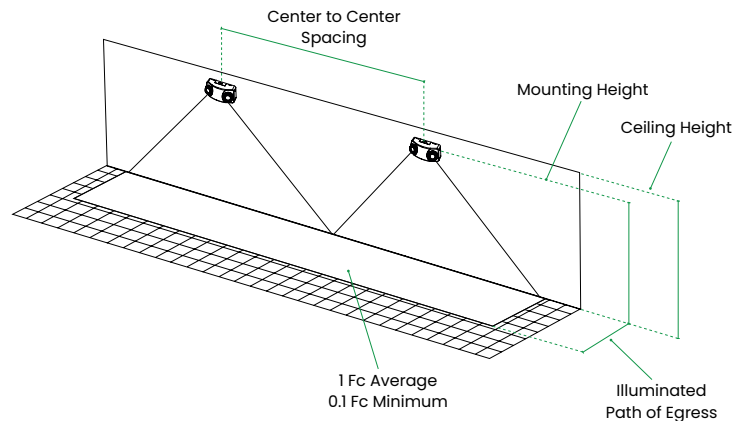
Type No:	Full Part No:
----------	---------------

DIMENSIONS

LUMEN OUTPUT

MODEL	TOTAL LUMEN OUTPUT
TEBL3W	600
TEBL3W-SD	600
TEBL5W	600
TEBL6W	1300
TEBL6B	1300
TEBL6W-SD	1300
TEBL6B-SD	1300

SPACING DIAGRAM
TEBL3/5 600 LUMEN (MULTIPLE UNITS)

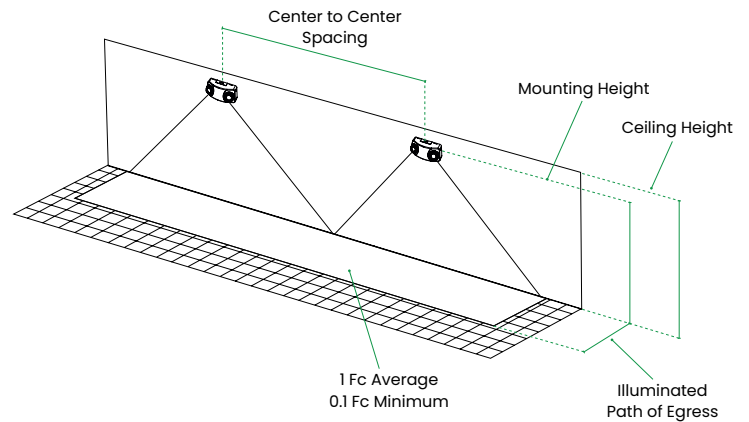
200' X 200' OPEN ROOM, 6' EGRESS PATH				
MOUNTING HEIGHT	CEILING HEIGHT	SPACING CENTER TO CENTER	AVERAGE ≥ 1.0 Fc	UNIFORMITY RATIO (MAX / MIN) ≤ 1.0 Fc
7.5'	9'	70'	1.00 Fc	37.77
9'	11'	61'	1.02 Fc	38.70
10'	12'	60'	1.01 Fc	39.50
12'	14'	45'	1.06 Fc	38.67
14'	16'	44'	1.01 Fc	34.91
16'	18'	42'	1.03 Fc	32.18



SPACING DIAGRAM (CONTINUED)

TEBL6 1300 LUMEN (MULTIPLE UNITS)

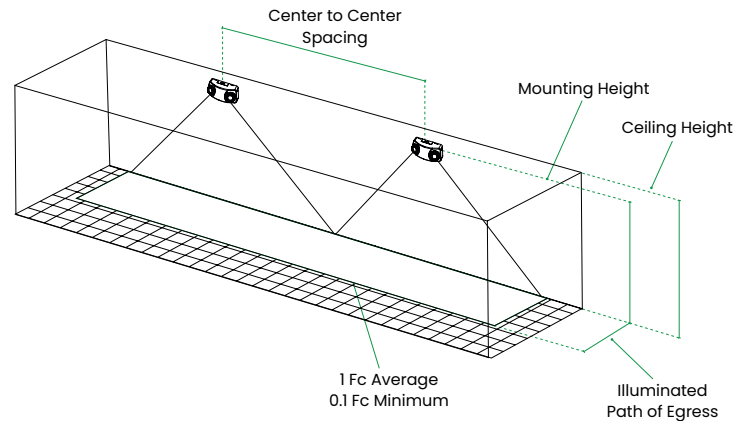
200' X 200' OPEN ROOM, 6' EGRESS PATH				
MOUNTING HEIGHT (FT)	CEILING HEIGHT (FT)	SPACING (FT) CENTER TO CENTER	AVERAGE Fc ≥ 1.0 Fc	UNIFORMITY RATIO (MAX / MIN) ≤ 1.0 Fc
7.5	9	100	1.07	38.80
9	11	98	1.07	39.00
10	12	96	1.01	33.24
12	14	84	1.00	39.31
14	16	58	1.05	34.25
16	18	58	1.02	38.36



TEBL3/5 600 LUMEN (MULTIPLE UNITS)

6' WIDE ENCLOSED CORRIDOR, 3' EGRESS PATH				
MOUNTING HEIGHT (FT)	CEILING HEIGHT (FT)	SPACING (FT) CENTER TO CENTER	AVERAGE Fc ≥ 1.0 Fc	UNIFORMITY RATIO (MAX / MIN) ≤ 1.0 Fc
7.5	9	83	1.02	38.08
9	11	81	1.03	34.23
10	12	79	1.01	32.21
12	14	77	1.01	32.53
14	16	71	1.01	37.51
16	18	63	1.00	38.91

6' WIDE ENCLOSED CORRIDOR, 6' EGRESS PATH				
MOUNTING HEIGHT (FT)	CEILING HEIGHT (FT)	SPACING (FT) CENTER TO CENTER	AVERAGE Fc ≥ 1.0 Fc	UNIFORMITY RATIO (MAX / MIN) ≤ 1.0 Fc
7.5	9	75	1.02	38.85
9	11	73	1.03	39.50
10	12	71	1.04	33.31
12	14	68	1.01	34.93
14	16	63	1.01	36.67
16	18	57	1.00	37.55



TEBL6 1300 LUMEN (MULTIPLE UNITS)

6' WIDE ENCLOSED CORRIDOR, 3' EGRESS PATH				
MOUNTING HEIGHT (FT)	CEILING HEIGHT (FT)	SPACING (FT) CENTER TO CENTER	AVERAGE Fc ≥ 1.0 Fc	UNIFORMITY RATIO (MAX / MIN) ≤ 1.0 Fc
7.5	9	117	1.06	38.92
9	11	113	1.05	38.50
10	12	111	1.05	39.86
12	14	108	1.04	39.73
14	16	104	1.05	39.63
16	18	101	1.04	39.00

6' WIDE ENCLOSED CORRIDOR, 6' EGRESS PATH				
MOUNTING HEIGHT (FT)	CEILING HEIGHT (FT)	SPACING (FT) CENTER TO CENTER	AVERAGE Fc ≥ 1.0 Fc	UNIFORMITY RATIO (MAX / MIN) ≤ 1.0 Fc
7.5	9	114	1.01	37.31
9	11	112	1.00	38.79
10	12	109	1.02	38.60
12	14	105	1.05	39.81
14	16	105	1.00	37.59
16	18	101	1.01	38.78

Note: Spacing charts are provided for general guidance and are based on NFPA 101 application criteria of 1 fc average, 0.1 fc minimum, and a 40:1 max/min uniformity ratio. Unless otherwise noted on individual charts, assumed reflectance values are Ceiling 80% / Walls 50% / Floor 20%. Actual performance may vary based on installation layout and environmental conditions.