

TELESIS TCSWL

Thermoplastic Low-Profile Wet Location LED Emergency Light

The Telesis TCSWL provides high performance LED lamps in an economical gray housing for wet location and NEMA 4X applications



CONSTRUCTION

- Compact low profile design
- High impact injection molded thermoplastic, 5VA rated flame retardant ABS in Gray housing
- Fully gasketed clear polycarbonate cover offers protection against water splashing, water spray and non-hazardous dust
- Universal knockout pattern for wall mount, housing snap-fits to make electrical connections

ELECTRICAL

- Fully automatic operation turns on the emergency lamps on failure of normal power and automatically recharges the battery on restoration of normal power
- Lead calcium battery 6 Volt maintenance free, rechargeable sealed lead acid battery
- 7 watt LED lamps provide the required minimum 90 minute operation in the emergency mode
- Field selectable 120 or 277VAC input
- Operating temperature range is 20° to 40° C
- 24 hour battery recharge with constant voltage two rate charger
- Momentary test switch and AC on indicator
- Line latch prevents unnecessary discharge of battery during installation, loads will not illuminate until after application of utility power
- Low voltage cut-off prevents battery damage and ensures positive charge acceptance following an extensive discharge
- Brownout sensing assures emergency operation during periods of low line voltage
- Damp location environmentally coated circuitry as standard

ILLUMINATION

- Two fully adjustable low profile 7 Watt LED lampheads are standard
- 7 Watt LED lamps provide 517 Lumens each

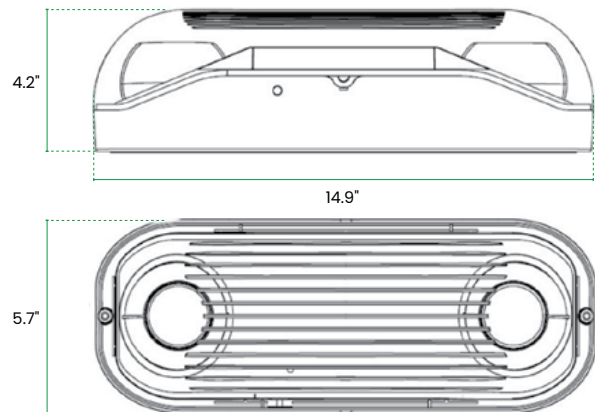
CERTIFICATION

- Meets UL924, NFPA 101 Life Safety Code, NFPA 70-NEC, and OSHA requirements
- UL924 listed for damp location 20° to 40°C

WARRANTY

- 5 year limited warranty- view complete warranty terms online at www.evenlite.com/terms-warranty.
- Battery pro-rated

DIMENSIONS



TCSWL-L67-CW

ORDERING GUIDE

MODEL	LAMPHEADS	OPTIONS	ORDERING NOTES
TCSWL	L67 6V 7W LED	US Assembled in the USA CW Cold Weather Package ² CEC Title 20 Compliant SD Self-Test/Self-Diagnostics ³	1 Only available in Industrial Gray housing color 2 -25°C to 40°C 3 Not available with CEC option
TCSWL	L67		

Fill in fields from categories above and complete type and part number.

Type No:

Full Part No: