

SOVEREIGN II

Architectural Edgelit Versatile LED Exit Sign

The timeless Sovereign edgelit exit sign has been enhanced to the Sovereign II and continues to set the standard for architectural appeal. New features include a surface mounting canopy that enables for wall, top or end mounting, or for added versatility can be ordered as a "SU" Surface Universal for field selection. A unique ½" square tube pendant features seismic rated and straight tilt, finished to match to the housing selected. The SOVII also has the ability to support an optional low-voltage Razor RZRR3 exit sign (select the REX option). The Sovereign II delivers the perfect balance of safety, performance, and architectural elegance — designed to protect people while seamlessly enhancing every space it serves.



CONSTRUCTION

- Recessed ceiling back box features universal adjustable mounting brackets. Optional old work clips available for installation in existing ceilings
- Full size universal, self-adhesive Chevron arrows with template enable on-site configuration
- Lens Panel is "Last-to-Assemble" snap-in for versatility and ease of installation
- Lens panel can easily be changed from single to double face in the field
- Hinged retaining springs eliminate exposed mounting hardware on recessed model
- SU Surface Universal option allows for field configurable surface mount to a standard j-box, and takes the guess work out of surface mounting applications
- Low profile recessed housing is suitable for old or new work installations and is type IC Rated
- Modular design provides ease of installation and matching configurations
- Quality sealed brushed aluminum finish, white, black, painted brass, painted bronze finishes are available, consult factory for custom finishes
- Contoured, crystal clear laser formed edge lit lens
- Custom legends with white LED light source available to order
- Precision pressure die cast aluminum legend holder, trim and surface mount housing
- Available with a range of information signage or custom graphics to order
- Recessed AC Indicator and Test Switch

ELECTRICAL

- Unique electronic driver circuit provides current control and protection ensuring optimum LED efficiency and life
- SOVII will support an optional low-voltage remote Razor RZRR3 sign (-REX option required; Order RZRR3 Separately).

- Zero current LVCO ensures positive charge acceptance following extended discharge
- Brownout sensing assures emergency illumination during periods of low line voltage
- All versions feature fully integrated electronic components
- Universal 120/277 VAC field selectable input
- Battery Diagnostic Circuit monitors battery status, detects cell failure and issues alert of reduced capacity and the need to replace battery
- Diagnostic Battery Monitoring on all "EM" models
- Premium long life high temperature rated, fused Nickel Cadmium battery, operating temperature 10° to 40°C
- Average Power Consumption: <3W
- Additional power consumption details in installation guide

ILLUMINATION

- Refractive light guide engineered to optimize LED utilization and illumination uniformity
- Maintenance free LED Light source with 25+ years life expectancy

CERTIFICATION

- Approved for use in New York City calendar #48851
- UL Listed 3 hour emergency duration standard
- UL listed for damp locations 0° to 40° C
- UL 924 Listed by Underwriters Laboratories and meets or exceeds all performance standards as required by NFPA
- 101, NFPA 70-NEC and OSHA
- California Energy Commission (CEC) Title 20 Compliant
- Buy American Act compliant

WARRANTY

- 5 year limited warranty - view complete warranty terms online at www.evenlite.com/terms-warranty.

ORDERING GUIDE

SOVII-EM-R-IC-BA-RC-AR-SD-FT

MODEL	OPERATION	LETTER COLOR	FACE COUNT	HOUSING COLOR	MOUNTING	
SOVII	AC AC Only (120/277 VAC)	6" LEGEND SIZE	STANDARD	BA Brushed Aluminum	STANDARD	OPTIONAL
	EM Battery Backup Emergency	R Red	1C Single Face, Clear Background	BK Black	RC Recessed Ceiling ³	SU Surface Universal
		G Green	OPTIONAL	BR Brushed Brass	UP Recessed Mount ⁴	PA 12" Swivel Pendant
		8" LEGEND SIZE	1M Single Face, Mirror Background	WH White	SC Surface Ceiling	PB 24" Swivel Pendant
		NR Red	1W Single Face, White Background	CC Custom Color ²	SW Surface Wall	PC 36" Swivel Pendant
		NG Green	2M Double Face, Mirror Background ¹	BZ Painted Bronze	SE Surface End	PD 48" Swivel Pendant
		2W Double Face, White Background			PE 60" Swivel Pendant	
					PF 72" Swivel Pendant	
					MU Mullion Mount	
					MUI Mullion Mount Inverted Panel	
					MUB Mullion Mount Back	
SOVII						
CHEVRON		OPTIONS			ORDERING NOTES	
UC Universal Chevron Kit ⁵	DK Two Circuit Input ⁷	DL Damp Location Listed	<ol style="list-style-type: none"> Mirror simulates clear background for double face exits Specify preference Ship with back box Preship back box Field installed Double face units only AC models only EM models only Order separately Consult factory Flash in emergency mode (EM models) or continuous flash (AC models). For 12-24V (AC or DC) normally-off fire alarm signal No curve on bottom of face panel Order RZRR3 separately. See data sheet. 			
AR Arrow Right	SD Self-Test/Self-Diagnostics ⁸	FT Flat Trim for Recessed Ceiling Mount				
AL Arrow Left	IR Self-Diagnostics With Infrared Remote Testing ⁸	FP Flat Panel ¹³				
AA All Arrows Same Side	TLRT Infrared Hand Held Transmitter ⁹	IN Inverted Legend For Mullion Mount				
LR Arrow Left/Arrow Right ⁶	VA Other Output Supply Voltage ¹⁰	EU Euro Legend ¹⁰				
NA No Arrows	F Flash in Emergency Mode ¹¹	OW Old Work Clips				
	FA Flash in AC and Emergency Mode ¹²	REX Configured as Master to Power an Optional Remote Razor RZRR3 Exit ¹⁴				
	FB [FA] Option Including Buzzer					
	FZ [F] Option Including Buzzer					

Fill in fields from categories above and complete type and part number.

Type No:

Full Part No:

ADDITIONAL IMAGES


 SURFACE WALL MOUNT
 White

 SURFACE END MOUNT
 Brushed Aluminum

 SURFACE CEILING MOUNT
 Black

 ARCHITECTURAL
 PENDANT MOUNT
 Painted Brass

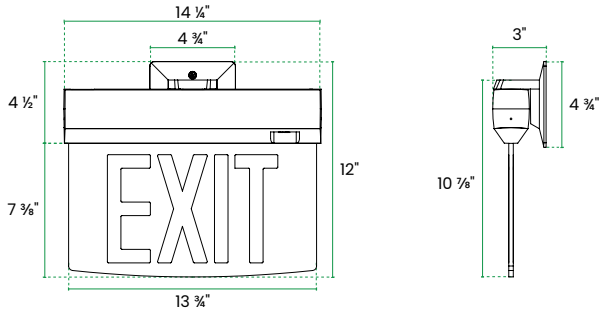
 ACCENTED TRIM RECESSED
 CEILING MOUNT
 Painted Brass

 FLAT TRIM RECESSED
 CEILING MOUNT
 White

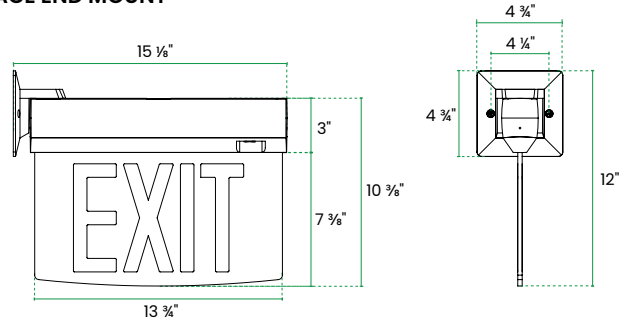
 MULLION MOUNT INVERTED (MUI)
 Black

DIMENSIONS

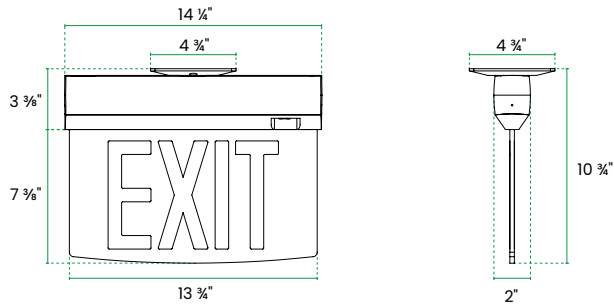
SURFACE WALL MOUNT



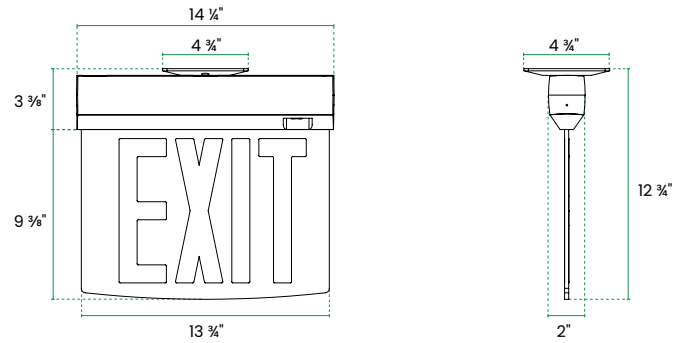
SURFACE END MOUNT



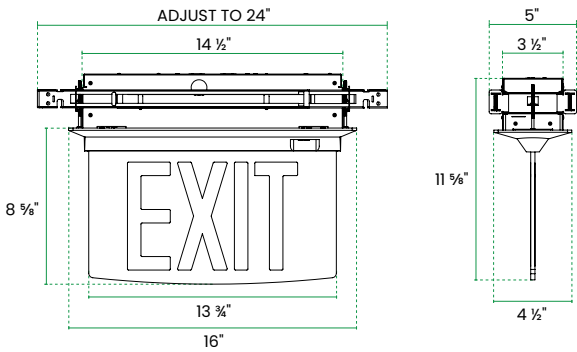
SURFACE CEILING MOUNT (6")



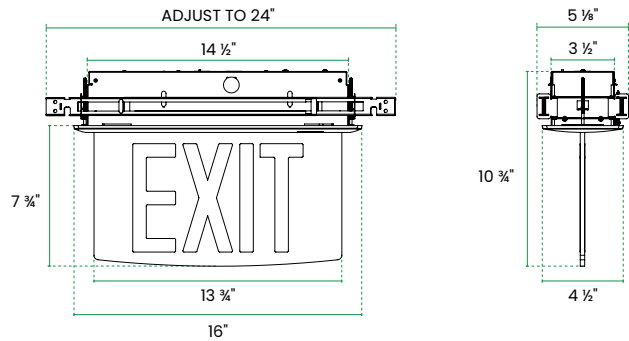
SURFACE CEILING MOUNT (8")



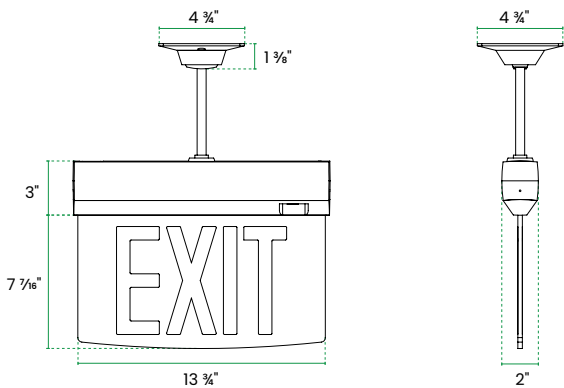
ACCENTED TRIM RECESSED CEILING MOUNT



FLAT TRIM RECESSED CEILING MOUNT

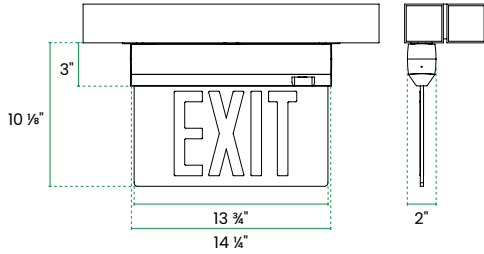


ARCHITECTURAL PENDANT MOUNT

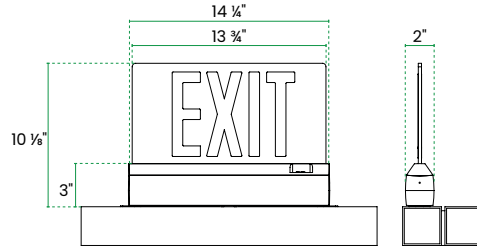


MULLION MOUNT

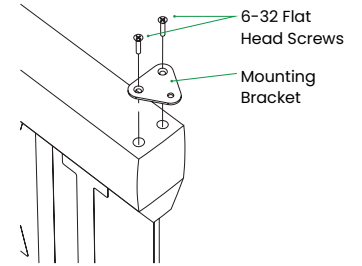
SOVII MULLION MOUNT (MU)



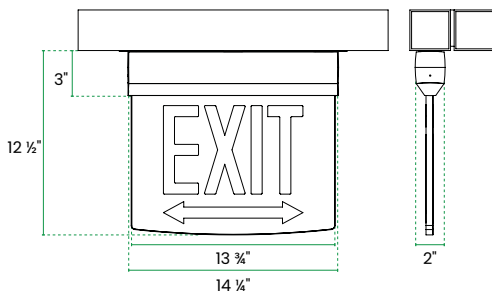
SOVII MULLION MOUNT INVERTED LEGEND (MUI)



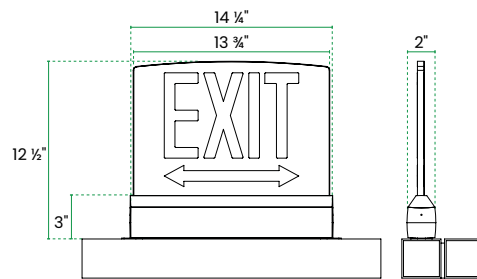
MOUNTING BRACKET ASSEMBLY



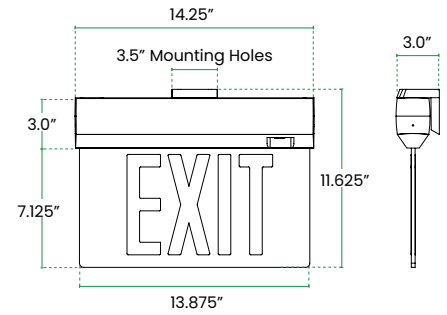
SOCII/SOVII-NR MULLION MOUNT (MU)



SOCII/SOVII-NR MULLION MOUNT INVERTED LEGEND (MUI)



MULLION MOUNT REAR



MASTER-REMOTE DIAGRAM

