

# TUFFLITE H

## Industrial LED Emergency Light

The Tufflite H series provides durable emergency lighting units with the ability to power remote fixture loads. The cabinet is constructed of sturdy 20 gauge steel and finished in an attractive durable white powder coat. Batteries are long life, maintenance free sealed Lead Calcium, 6, 12 or 24 volt DC. Optional Nickel Cadmium batteries are available.



### CONSTRUCTION

- Two fully adjustable, top mounted Par 36 style lampheads in high impact thermoplastic are supplied as standard. Lampheads are available with a variety of lamp types and wattage's
- Accommodates up to four lampheads (2 top, 2 side) Standard units are supplied with two top mounted heads
- 20 gauge steel cabinet with universal knock-out mounting pattern finished in a durable white powder coat finish (other colors available to order)
- Key hole mounting slots and conduit knockouts are provided for additional mounting possibilities

### ELECTRICAL

- 24 volt units provide for reduced voltage drops over longer cable runs
- Maintenance free sealed Lead Calcium batteries
- Self-test / Self-Diagnostic monitoring available
- Premium, fully automatic current limited "Pulse Switching" charger provides ideal charge conditions for optimum battery performance and life
- External Momentary test switch and dual diagnostic LED indicator displays AC presence and Hi-Charge status
- Field selectable 120 or 277 VAC input
- Short Circuit battery protection
- Line-latch prevents unnecessary discharge of battery during installation, loads will not illuminate until after application of utility power
- Low voltage cut-off prevents battery damage and ensures positive charge acceptance following an extended discharge
- Brownout sensing assures emergency operation during periods of low line voltage

### ILLUMINATION

- High capacity models support total loads up to 360 watts or provide for extended discharge period
- 6 or 12 volt 9 watt tungsten lamps standard

### CERTIFICATION

- Listed to UL 924, meets NFPA 101 Life Safety Code, NFPA 70-NEC and OSHA requirements
- Buy American Act compliant

### WARRANTY

- 3 year limited warranty- view complete warranty terms online at [www.evenlite.com/terms-warranty](http://www.evenlite.com/terms-warranty).

### OPERATING CHARACTERISTICS

MODEL	VOLTAGE	WATTAGE			
		90 MIN	2 HRS	3 HRS	4 HRS
H2E120	6	120	95	67	49
H2E200	6	200	150	100	75
H4E140	12	140	105	70	56
H4E360	12	360	270	180	138

H2E120-W-2-W69-SD

**ORDERING GUIDE**

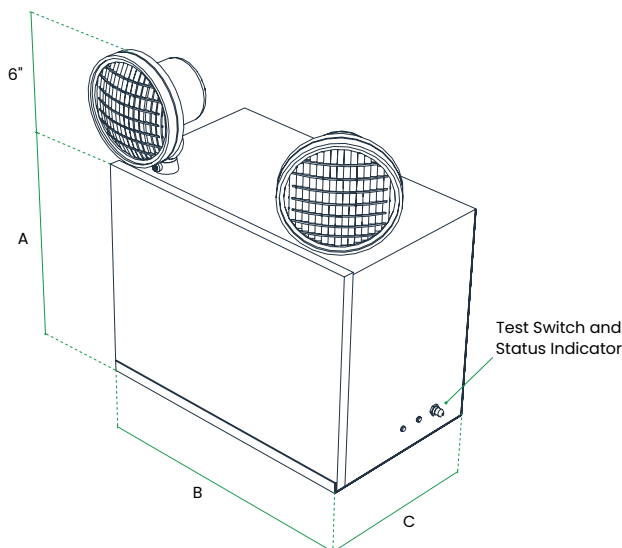
MODEL	OPERATING VOLTAGE / WATTAGE		FINISH	NO. OF LAMPHEADS	LAMP OPTIONS <sup>2</sup>
<b>H</b>	<b>LEAD CALCIUM BATTERY 90 MINUTE CAPACITY<sup>1</sup></b>		<b>W</b> White <b>B</b> Black	<b>0</b> No Lampheads <b>2</b> Double Lampheads	<b>W69</b> 6V 9W Tungsten Standard
	<b>NICKEL CADMIUM BATTERY 90 MINUTE CAPACITY</b>				<b>W129</b> 12V 9W Tungsten Standard
	<b>2E120</b> 6 Volt – 120 Watts	<b>4N130</b> 12 Volt – 130 Watts			<b>L65</b> 6V 5W LED PAR 18 Thermoplastic
	<b>2E200</b> 6 Volt – 200 Watts	<b>4N200</b> 12 Volt – 200 Watts			<b>L67</b> 6V 7W LED PAR 18 Thermoplastic
	<b>4E140</b> 12 Volt – 140 Watts	<b>6N200</b> 24 Volt – 200 Watts			<b>L125</b> 12V 5W LED PAR 18 Thermoplastic
	<b>4E160</b> 12 Volt – 160 Watts				<b>L245</b> 24V 5W LED PAR 18 Thermoplastic
	<b>4E360</b> 12 Volt – 360 Watts				<b>L247</b> 24V 7W LED PAR 18 Thermoplastic
<b>6E360</b> 24 Volt – 360 Watts					
<b>H</b>					
<b>OPTIONS</b>				<b>ORDERING NOTES</b>	
<b>SD</b> Self-Test / Self-Diagnostic	<b>TD277V</b> 277V 15 Minute Time Delay <sup>3</sup>		<ol style="list-style-type: none"> <li>1 See Tufflite S Series for other Wattage requirements</li> <li>2 Total lamp wattage must not exceed unit 90 minute capacity rating</li> <li>3 Specify AC Voltage</li> <li>4 120V only</li> <li>5 Dimensions: 28" x 21" x 10"</li> </ol>		
<b>V</b> Voltmeter	<b>CS</b> 3 ft Conductor Cord & Plug <sup>4</sup>				
<b>A</b> Ammeter	<b>WG7</b> Wireguard <sup>5</sup>				
<b>TD120V</b> 120V 15 Minute Time Delay <sup>3</sup>					

Fill in fields from categories above and complete type and part number.

Type No:	Full Part No:
----------	---------------

**DIMENSIONS**

MODEL	A	B	C
6V 120W	9.5"	15.0"	4.25"
6V 140-200W	10.0"	13.0"	8.0"
12V 200-300W	10.0"	18.0"	8.375"


**ADDITIONAL IMAGES**


STANDARD LAMPHEADS



OPTIONAL MR16 LAMPHEADS

**OPTIONAL MR16 LAMPHEADS**

VOLTAGE / WATTAGE	LUMENS
12V 20W	225
12V 35W	500
12V 50W	750
6 OR 12V 5W LED	300
6 OR 12V 7W LED	382

**SPACING DIAGRAM**

MOUNTING HEIGHT IS 8' REFLECTANCE OF 80-50-20

