



ILLI (LX-IL)

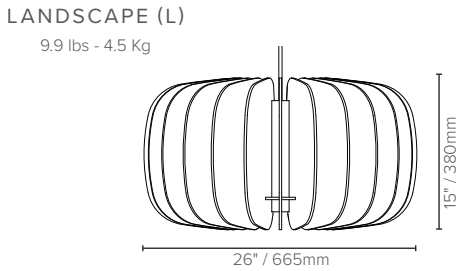
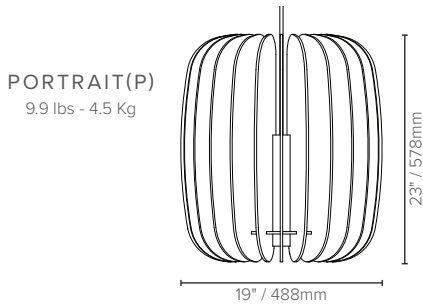
TYPE:

illi is the perfect fusion of form and function. The soft outer gills offer a classic design aesthetic as well as acting as an effective noise absorption tool.

KEY BENEFITS

- High-performance lumen output
- Highly effective noise absorption
- Available in 2 sizes and a wide range of colors
- 9' / 2740mm length of black woven power cable per fixture
- IES photometric files available
- White canopy and power cable available upon request
- E26 and E27 are available upon request
- Some assembly required

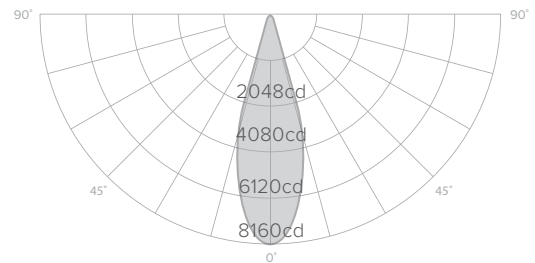
SIZE AND WEIGHT



PHOTOMETRICS LIGHT SOURCE SPECIFICATIONS

| | LANDSCAPE AND PORTRAIT |
|------------------------|------------------------|
| Delivered Lumen Output | 2477lm |
| Wattage | 23.7W |
| Efficacy | 104 lumens per watt |
| CRI | 90 |
| CCT | 3000, 3500, 4000K |
| Weight | 9.9 lbs / 4.5 kg |

LUMINOUS INTENSITY DISTRIBUTION



ORDER CODE

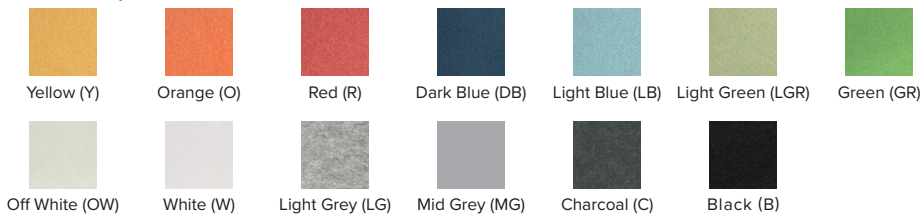
EXAMPLE: LX - IL - L - R - 40 - UNV - RD

(Luxbox illi, Landscape (Ø26" x 15" / Ø665mm x 380mm), Red, 4000K, Universal 110-277V / 0-10V 10% dimming (North America only), Remote Driver

| LX - IL | SIZE | | SHADE COLOR | COLOR TEMP | | REGION / DIMMING | | DRIVER TYPE | |
|---------|------|--|--------------------------|------------|-------|------------------|--|-------------|-------------------------|
| IL | L | LANDSCAPE (Ø26" x 15" / Ø665mm x 380mm) | Use color codes as shown | 30 | 3000K | UNV | Universal 110 - 277V / 0-10V 10% Dimming (North America only) | RD | Remote Driver |
| | P | PORTRAIT (Ø19" x 23" / Ø488mm x 578mm) | | 35 | 3500K | | | CD | Canopy concealed driver |
| | | | | 40 | 4000K | G | Global 220-240V 1% dimming DSI/DALI | | |

AVAILABLE COLORS

Colors are subject to lead times and variations across batches



Luxbox reserves the right to change the specification, material and colors at any time without notice. Standard warranty terms and conditions apply. All rights reserved © All dimensions and values on specification sheet are nominal. December 2021. LX-IL-Spec-Sheet-v2.5



LUXBOX USA INC × (P)+1 (415) 871 0448 × USA@LUXBOX.COM
LUXBOX PTY LTD × (P)+61 7 3257 2822 × INFO@LUXBOX.COM
WWW.LUXBOX.COM





ILLI (LX-IL)

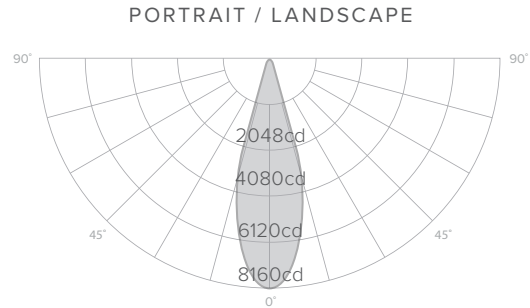
TYPE:

PHOTOMETRICS

LIGHT SOURCE SPECIFICATIONS

| | PORTRAIT (Ø19.5" x 23" / Ø488 x 578mm) LANDSCAPE (Ø26" x 15" / Ø665 x 380mm) |
|------------------------|---|
| Delivered Lumen Output | 2477lm |
| Wattage | 23.7W |
| Efficacy | 104 lumens per watt |
| CRI | 90 |
| CCT | 3000, 3500, 4000 K |

LUMINOUS INTENSITY DISTRIBUTION



DRIVER INFORMATION

| Tridonic 1% dimming (DALI) | | | | | |
|---|---------------------------------|-------|----------|------------|--|
| Size | Driver Code | Watts | Output | Compliance | |
| PORTRAIT (19.5" x 23" / 488 x 578mm) LANDSCAPE (26" x 15" / 665 x 380mm) | Tridonic LCA 25W one4all SR PRE | 25W | 20-46VDC | | |

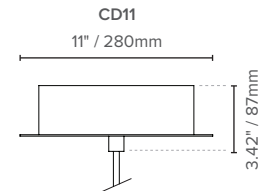
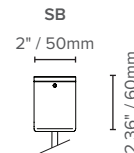
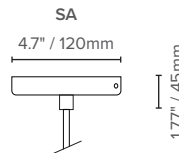
| EldoLED 0.1% dimming | | | | | |
|---|--------------------|-------|----------|------------|--|
| Size | Driver Code | Watts | Output | Compliance | |
| PORTRAIT (19.5" x 23" / 488 x 578mm) LANDSCAPE (26" x 15" / 665 x 380mm) | SL30B-M1Z0A1 150MA | 30W | 15-42VDC | | |

CANOPY INFORMATION

Please note power cord and canopy will always be supplied in black unless specified otherwise.

| NORTH AMERICA | DRIVER OPTION | | | |
|---------------|---------------|------|------|----|
| | SIZE | RD | CD | OB |
| | PORTRAIT | SA | CD11 | SA |
| LANDSCAPE | SA | CD11 | SA | |

| GLOBAL | DRIVER OPTION | | | |
|-----------|---------------|------|------|----|
| | SIZE | RD | CD | OB |
| | PORTRAIT | SB | CD11 | SB |
| LANDSCAPE | SB | CD11 | SB | |



Luxxbox reserves the right to change the specification, material and colors at any time without notice. Standard warranty terms and conditions apply. All rights reserved © All dimensions and values on specification sheet are nominal. December 2021. LX-IL-Spec-Sheet-v2.5



LUXXBOX USA INC × (P)+1 (415) 871 0448 × USA@LUXXBOX.COM
 LUXXBOX PTY LTD × (P)+61 7 3257 2822 × INFO@LUXXBOX.COM
 WWW.LUXXBOX.COM





ILLI (LX-IL)

TYPE:

MATERIAL SPECIFICATIONS

| | COLOR CODES: C, LG | COLOR CODES: B, W, OW, DB, LB, GR, LGR, R, O, Y |
|--------------------------|---|--|
| COLOR FASTNESS TO LIGHT: | ISO 105-B02-1994 Rating: 6-7 | ISO 105-B02-1994 Rating: 6-7 |
| FIRE TEST: | AS 1530.3 ISO 9705: Group 1 GB8624 B1 BS EN 13501.1: Classification B-s1, d0 | AS ISO 9705 - 2003: Group 1 ISO 9705 - 1993: Group 1s ASTM E-84-14 (A, FS:0 - SD:45) BS EN13501-1:2007+A1:2009 (B-s1, d0) |
| ENVIRONMENTAL: | PET achieves GreenTag Certification GreenRate: Level A | PET achieves GreenTag Certification GreenRate: Level A |
| THERMAL TRANSITION: | ASTM C518-2010. R- Value = 0.30 m ² K/W | ASTM C518-2010. R- Value = 0.30 m ² K/W |
| SOUND ABSORPTION: | AS ISO 354 – 2006 Noise reduction coefficient (NRC) = 0.7 | AS ISO 354 – 2006 Noise reduction coefficient (NRC) = 0.7 |
| VOC EMISSIONS: | ASTM D5116 Rate: < 0.02 mg/m ² /hr (7 days) | ASTM D5116 Rate: < 0.01 mg/m ² /hr (7 days) |

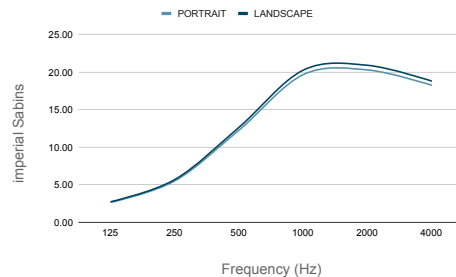
PRODUCT ACOUSTIC PROPERTIES

Testing and post analysis procedures were carried out in accordance with the references detailed below:

| | |
|-------------------------|--|
| AS ISO 354-2006 (R2016) | Acoustics—Measurement of sound absorption in a reverberation room |
| AS ISO 11654—2002 | Rating of sound absorption—Materials and systems |
| ASTM C423-17 | Standard Test Method for Sound Absorption and Sound Absorption Coefficients by the Reverberation Room Method |
| ASTM E795-16 | Standard Practices for Mounting Test Specimens During Sound Absorption Tests |
| ISO 20189 | Screens, furniture and single objects intended for interior use – Rating of sound absorption and sound reduction of elements based on laboratory measurements. |

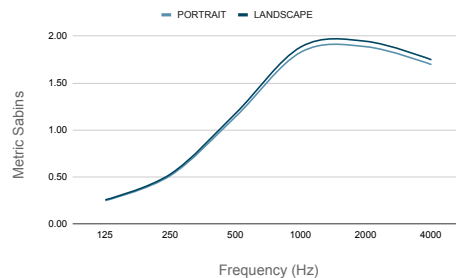
IMPERIAL SABINS

| Frequency (Hz) | Sound Absorption Coefficient | PORTRAIT (P) | LANDSCAPE (L) |
|----------------|------------------------------|--------------|---------------|
| 125 | 0.13 | 2.67 | 2.75 |
| 250 | 0.27 | 5.54 | 5.71 |
| 500 | 0.6 | 12.31 | 12.68 |
| 1000 | 0.96 | 19.70 | 20.29 |
| 2000 | 0.99 | 20.31 | 20.93 |
| 4000 | 0.89 | 18.26 | 18.81 |



METRIC SABINS

| Frequency (Hz) | Sound Absorption Coefficient | PORTRAIT (P) | LANDSCAPE (L) |
|----------------|------------------------------|--------------|---------------|
| 125 | 0.13 | 0.25 | 0.26 |
| 250 | 0.27 | 0.51 | 0.53 |
| 500 | 0.6 | 1.14 | 1.18 |
| 1000 | 0.96 | 1.83 | 1.89 |
| 2000 | 0.99 | 1.89 | 1.94 |
| 4000 | 0.89 | 1.70 | 1.75 |



The Sabin data shown above is in accordance with the latest International Standards for the rating of sound absorption and reduction. This is different from the classic methodology, which includes the calculation of the Noise Reduction Coefficient (NRC), the Sound Absorption Average (SAA), the Weighted Sound Absorption Coefficient (**aw**) and the Sound Absorption Class (SAC). However, to make it easier to compare against other products, we are including that information on the table on the right, which was calculated using the Horizontal Floor Area method. Fully detailed test reports are available upon request.

| | |
|-----|------|
| NRC | 0.70 |
| SAA | 0.64 |
| aw | 0.55 |
| SAC | D |

Luxbox reserves the right to change the specification, material and colors at any time without notice. Standard warranty terms and conditions apply. All rights reserved © All dimensions and values on specification sheet are nominal. December 2021. LX-IL-Spec-Sheet-v2.5



LUXBOX USA INC × (P)+1 (415) 871 0448 × USA@LUXBOX.COM
LUXBOX PTY LTD × (P)+61 7 3257 2822 × INFO@LUXBOX.COM
WWW.LUXBOX.COM





ILLI (LX-IL)

TYPE:

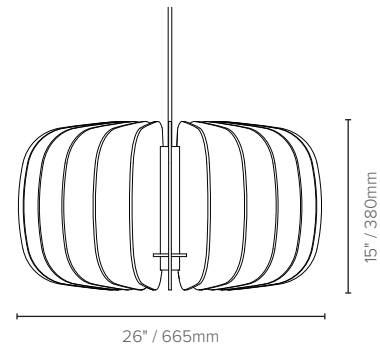
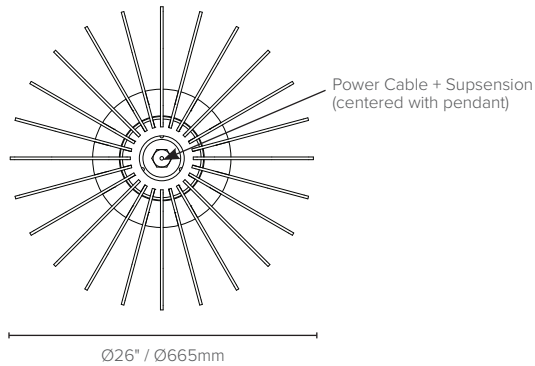
PRODUCT DIMENSIONS

Please note the dimensions shown below refer to the assembled product. This pendant will be shipped flat pack and requires assembly. Please download the Assembly and Installation Instructions document from the product's page on our website for more information.

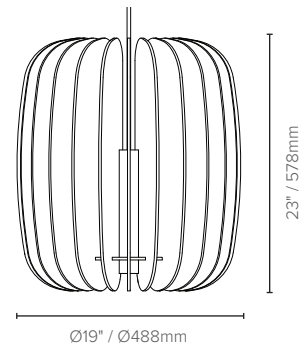
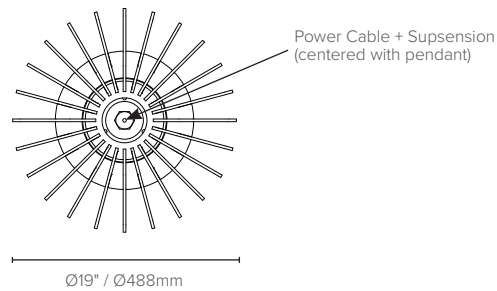
TOP VIEWS

SIDE VIEWS

LANDSCAPE (L)



PORTRAIT (P)



Luxxbox reserves the right to change the specification, material and colors at any time without notice. Standard warranty terms and conditions apply. All rights reserved © All dimensions and values on specification sheet are nominal. December 2021. LX-IL-Spec-Sheet-v2.5



LUXXBOX USA INC × (P)+1 (415) 871 0448 × USA@LUXXBOX.COM
 LUXXBOX PTY LTD × (P)+61 7 3257 2822 × INFO@LUXXBOX.COM
 WWW.LUXXBOX.COM

