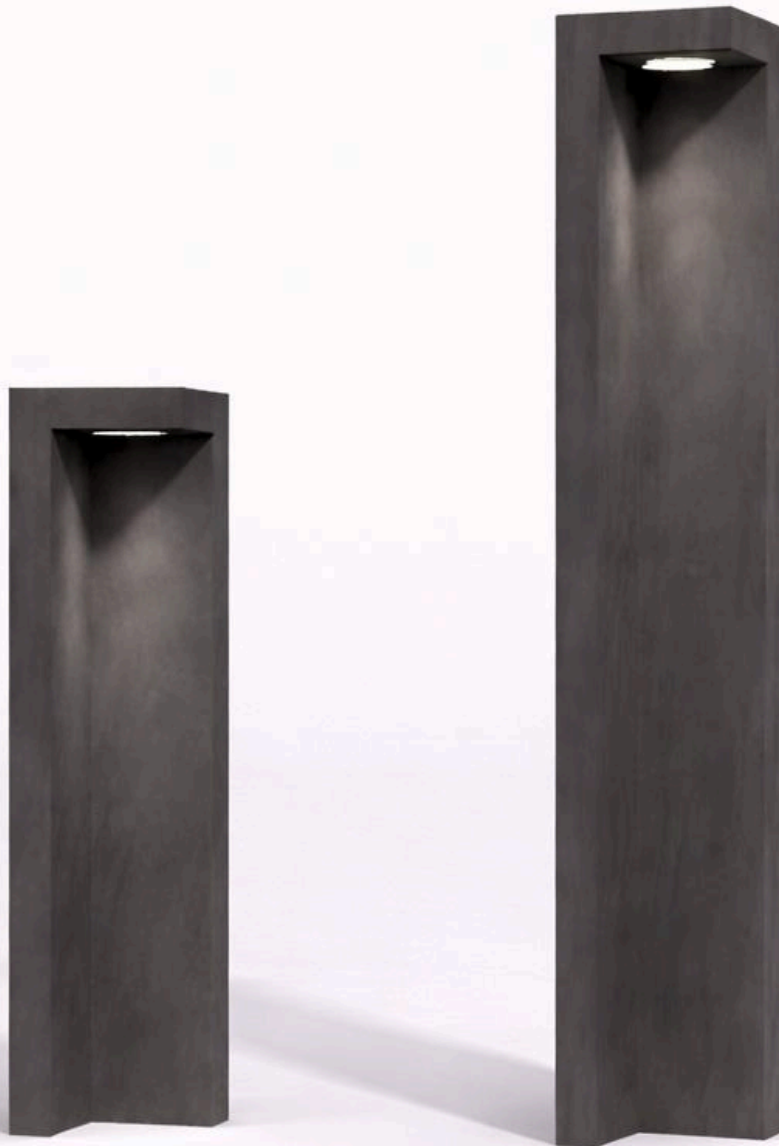




**BULLARD
BOLLARDS**
Think Bollard Think Bullard

CORNER
BB-CRN-BL



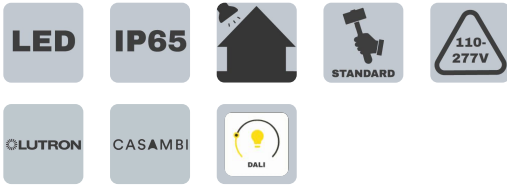


**BULLARD
BOLLARDS**
Think Bullard Think Bullard

**CODE:
BB-CRN-BL**

FIXTURE TYPE: _____

PROJECT NAME: _____



GENERAL INFORMATION:

The Corner Collection from Bullard Bollards features outdoor bollard lights crafted from natural gypsum and cement, materials renowned for their eco-friendliness, safety, and resistance to rust, ensuring a long service life. The design separates the electrical components from the bollard body, facilitating straightforward maintenance and replacement.

Rust-Resistant: The inherent properties of the materials ensure resistance to rust, making them ideal for outdoor applications.

FIXTURE TYPE:

Bollard

VOLTAGE:

110-277V



MATERIAL:

Cement, Aluminium

IP RATING:

IP65



WARRANTY:

LED lighting products are warranted for 5 years.

MAIN FEATURES:

- High visual comfort
- Available in a wide range of finishes
- Functional and minimalistic design
- Shock-resistant construction
- Operating Temperature: -104°F to +140°F.

LIGHTING DISTRIBUTIONS:

60°

THINK BOLLARD - THINK BULLARD

sales@gordonbullard.com
www.bullardbollards.com
1-877-964-4646

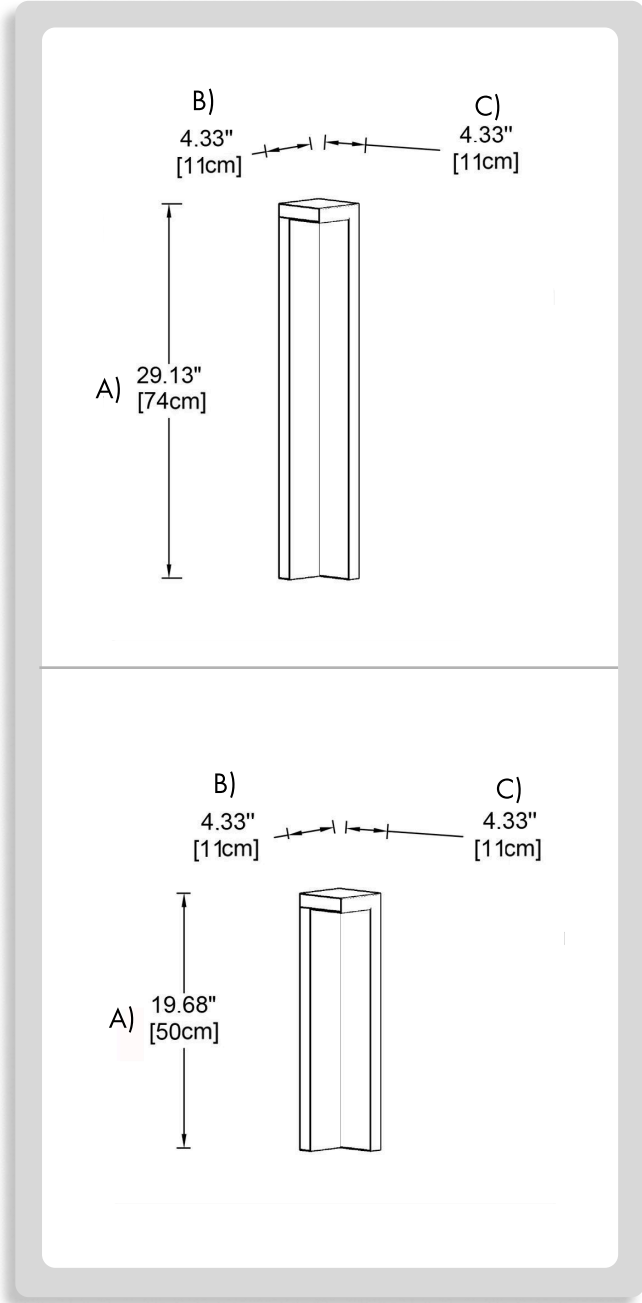


991 South Gull Lake Dr
Richland, MI 49083
USA



FIXTURE TYPE: _____

PROJECT NAME: _____



HOW TO ORDER:

CODE:

Example: CODE: BB-CRN-BL-H1-27K-DIM-BL	BB-CRN-BL- H1-27K-DIM-BL
--	-----------------------------

1 BODY HEIGHT:

- H1 A) H: 29.13" (74 cm)
- H2 A) H: 19.69" (50 cm)

2 LENGTH & WIDTH:

B) L: 4.33" (11 cm) x C) W: 4.33" (11 cm)

3 LIGHT SOURCE:

LED | 7W | 110-277V | 80 CRI

4 CCT:

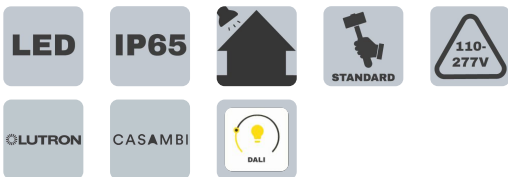
- 27K 2700K
- 30K 3000K
- 40K 4000K

5 DIMMING OPTIONS:

- NON NON-Dimmable
- DIM 0-10V
- CAS Casambi
- LUT Lutron
- DAL Dali

6 FINISH OPTIONS:

- GR Grey
- BL Black



THINK BOLLARD - THINK BULLARD

sales@gordonbullard.com
www.bullardbollards.com
1-877-964-4646



991 South Gull Lake Dr
Richland, MI 49083
USA