

**BULLARD
BOLLARDS**
Think Bullard Think Bullard

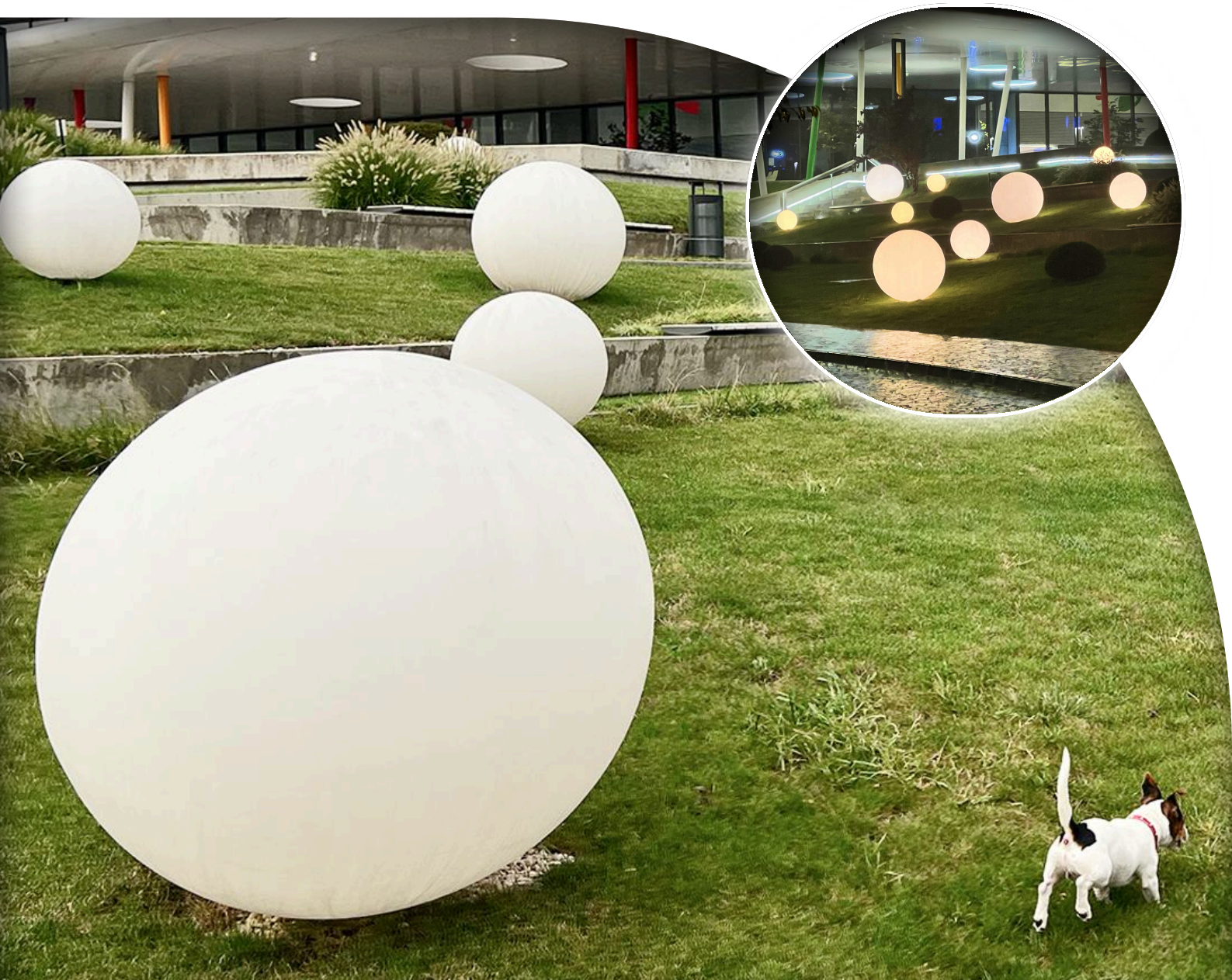
GLOBO



Polyethylene



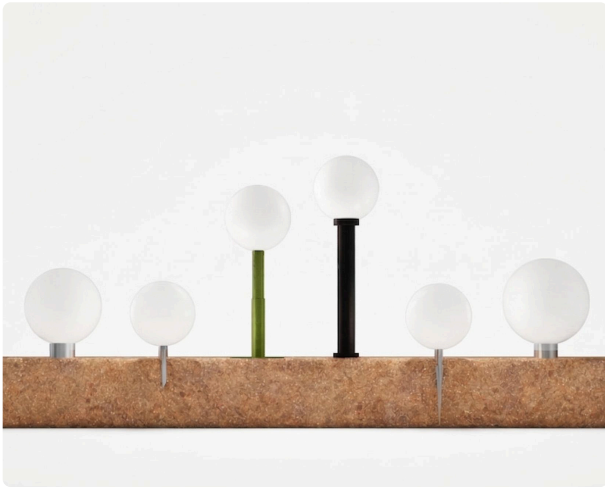
Full range of finish
options for both
base and pole



Fixture Type:

Project Name:

Notes:



General Information:

The Globo (E26) is a sleek and modern spherical lighting fixture designed to elevate any outdoor space. Made from polyethylene, available in glossy or matte finishes, with a sturdy metal base, it offers durability and a refined aesthetic. Operating at 110–277V, this luminaire features an E26 socket for versatile lighting options. With an IP55 rating, it is resistant to dust and water, making it suitable for outdoor use. Available in multiple sizes—30 cm (11.81”), 40 cm (15.75”), 50 cm (19.69”), 60 cm (23.62”), 70 cm (27.56”), 80 cm (31.50”), 120 cm (47.2”), and 200 cm (78.7”)—it adapts effortlessly to different settings. The base can be finished in RAL colors, allowing for customization to match various design preferences.

Fixture Type:

In-Scape

Material:

Polyethylene (glossy / matt)

Appliance Class:

II

Voltage:

110-277V

IP Rating:

IP 55

Main Features:

High visual comfort
Available in a wide range of finishes
Functional and minimalistic design
Shock-resistant construction
Operating Temperature: -104°F to +140°F.



Due to the dynamic nature of lighting products and the associated technologies, luminaire data on all specification sheets is subject to change at the discretion of Gordon Bullard LLC and associated companies.

THINK BOLLARD - THINK BULLARD

sales@gordonbullard.com / www.bullardbollards.com / 1-877-964-4646

991 South Gull Lake Dr Richland, MI 49083 USA



Fixture Type:

Project Name:

Notes:

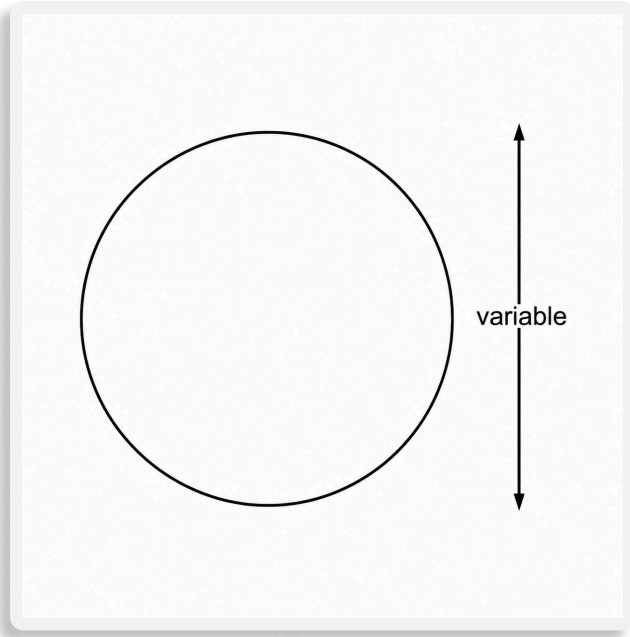
HOW TO ORDER:

CODE:

Example:

CODE: BB-GLB-UL-D30-GL-TPM-RAL1020

**BB-GLB-UL-
D30-GL-TPM-
RAL1020**



1

Models:

code*	inches*	centimeters*	light source*
-D30	Ø: 11.8"	(30 cm)	E26 / max. 60W
-D40	Ø: 15.7"	(40 cm)	E26 / max. 60W
-D50	Ø: 19.7"	(50 cm)	E26 / max. 60W
-D60	Ø: 23.6"	(60 cm)	E26 / max. 60W
-D70	Ø: 27.5"	(70 cm)	E26 / max. 100W
-D80	Ø: 31.5"	(80 cm)	E26 / max. 100W
-D120	Ø: 47.2"	(120 cm)	E26 / max. 185W
-D200	Ø: 78.7"	(200 cm)	E26 / max. 185W

2

Material Finish Options:

- GL Glossy Available only for D30/40/50/60/70/80 models*
- MT Matt Available for all models*

E26

IP 55



Due to the dynamic nature of lighting products and the associated technologies, luminaire data on all specification sheets is subject to change at the discretion of Gordon Bullard LLC and associated companies.

THINK BOLLARD - THINK BULLARD

sales@gordonbullard.com / www.bullardbollards.com / 1-877-964-4646

991 South Gull Lake Dr Richland, MI 49083 USA

Fixture Type:

HOW TO ORDER:

CODE:

Project Name:

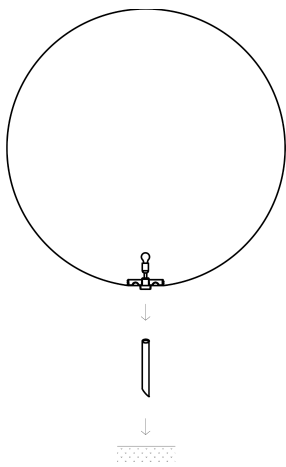
Example:

CODE: BB-GLB-UL-D30-GL-TRM-RAL1020

**BB-GLB-UL-
D30-GL-TPM-
RAL1020**

Notes:

3.1 Spike Mounting Options:



-ESM

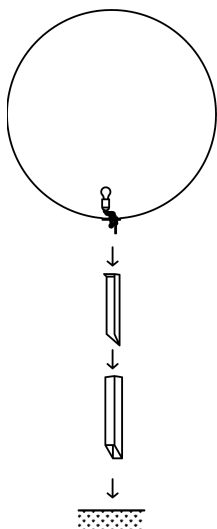
Earth Spike M
(Applicable only to all MATT finish models)

Dimensions:
H: 8.82" (22,4 cm) x Ø: 1.18" (3 cm)

Material:
Polyethylene (Matt)
Stainless Steel

Finishing:
Silver

Base:
E3



-ESG

Earth Spike G
(Applicable only to all GLOSSY finish models)

Dimensions:
H: 8.66" (22 cm) x Ø:1.18" (3 x 3 cm)

Material:
Polyethylene (Glossy)
Stainless Steel

Finishing:
Silver

Base:
E1



Due to the dynamic nature of lighting products and the associated technologies, luminaire data on all specification sheets is subject to change at the discretion of Gordon Bullard LLC and associated companies.

THINK BOLLARD - THINK BULLARD

sales@gordonbullard.com / www.bullardbollards.com / 1-877-964-4646

991 South Gull Lake Dr Richland, MI 49083 USA



Fixture Type:

HOW TO ORDER:

CODE:

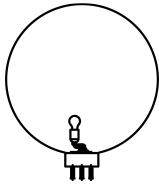
Project Name:

Example:
CODE: BB-GLB-UL-D30-GL-TPM-RAL1020

**BB-GLB-UL-
D30-GL-TPM-
RAL1020**

Notes:

3.2 Surface Mounting Options:



-SM4M

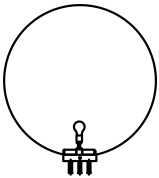
Surface-mounted installation 4
(only for D30/40/50 models)

Dimensions:
Ø: 4.53" (11.5 cm) x H: 1.77" (4.5 cm)

Material:
Polyethylene (Matt)
Stainless Steel

Finishing:
Olive, Vanilla, Black, Chocolate, Pistachio, Indigo,
Beige, Dark Brown, Flamingo, Pink, Light Blue

Base:
E3



-SM4G

Surface-mounted installation 4
(only for D30/40/50 models)

Dimensions:
Ø: 4.53" (11.5 cm) x H: 1.77" (4.5 cm)

Material:
Polyethylene (Glossy)
Stainless Steel

Finishing:
Olive, Vanilla, Black, Chocolate, Pistachio, Indigo,
Beige, Dark Brown, Flamingo, Pink, Light Blue

Base:
E1



Due to the dynamic nature of lighting products and the associated technologies, luminaire data on all specification sheets is subject to change at the discretion of Gordon Bullard LLC and associated companies.

THINK BOLLARD - THINK BULLARD

sales@gordonbullard.com / www.bullardbollards.com / 1-877-964-4646

991 South Gull Lake Dr Richland, MI 49083 USA

Fixture Type:

HOW TO ORDER:

CODE:

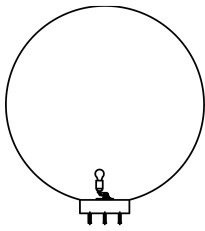
Project Name:

Example:
CODE: BB-GLB-UL-D30-GL-TPM-RAL1020

**BB-GLB-UL-
D30-GL-TPM-
RAL1020**

Notes:

3.3 Surface Mounting Options:



-SM8M

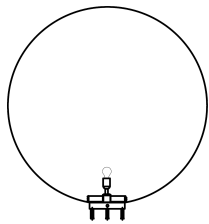
Surface-mounted installation 8
(only for D60/70/80 models)

Dimensions:
Ø: 7.87" (20 cm) x H: 2.17" (4.5 cm)

Material:
Polyethylene (Matt)
Stainless Steel

Finishing:
Olive, Vanilla, Black, Chocolate, Pistachio, Indigo,
Beige, Dark Brown, Flamingo, Pink, Light Blue

Base:
E3



-SM8G

Surface-mounted installation 8
(only for D60/70/80 models)

Dimensions:
Ø: 7.87" (20 cm) x H: 2.17" (4.5 cm)

Material:
Polyethylene (Glossy)
Stainless Steel

Finishing:
Olive, Vanilla, Black, Chocolate, Pistachio, Indigo,
Beige, Dark Brown, Flamingo, Pink, Light Blue

Base:
E1



Due to the dynamic nature of lighting products and the associated technologies, luminaire data on all specification sheets is subject to change at the discretion of Gordon Bullard LLC and associated companies.

THINK BOLLARD - THINK BULLARD

sales@gordonbullard.com / www.bullardbollards.com / 1-877-964-4646

991 South Gull Lake Dr Richland, MI 49083 USA



Fixture Type:

HOW TO ORDER:

CODE:

Project Name:

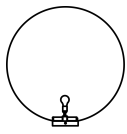
Example:

CODE: BB-GLB-UL-D30-GL-TPM-RAL1020

**BB-GLB-UL-
D30-GL-TPM-
RAL1020**

Notes:

3.4 Telescopic Mounting Options:



-TPM

Removable Telescopic Pole M
only for D30/40/50 MATT finish models*

Dimensions:

H: 17.7" (44.9 cm) - 31.5" (80 cm) adjustable x Ø: 4" (10 cm)

Material:

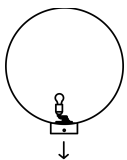
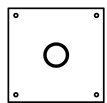
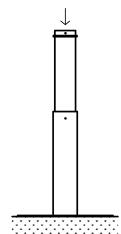
Polyethylene (Matt)
Stainless Steel

Finishing:

Olive, Vanilla, Black, Chocolate, Pistachio, Indigo,
Beige, Dark Brown, Flamingo, Pink, Light Blue

Base:

E3



-TPG

Removable Telescopic Pole G
only for D30/40/50 GLOSSY finish models*

Dimensions:

H: 17.7" (44.9 cm) - 31.5" (80 cm) adjustable x Ø: 4" (10 cm)

Material:

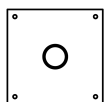
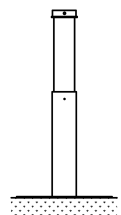
Polyethylene (Glossy)
Stainless Steel

Finishing:

Olive, Vanilla, Black, Chocolate, Pistachio, Indigo,
Beige, Dark Brown, Flamingo, Pink, Light Blue

Base:

E1



Due to the dynamic nature of lighting products and the associated technologies, luminaire data on all specification sheets is subject to change at the discretion of Gordon Bullard LLC and associated companies.

THINK BOLLARD - THINK BULLARD

sales@gordonbullard.com / www.bullardbollards.com / 1-877-964-4646

991 South Gull Lake Dr Richland, MI 49083 USA



Fixture Type:

HOW TO ORDER:

CODE:

Project Name:

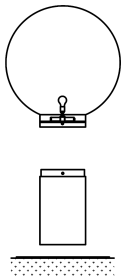
Example:

CODE: BB-GLB-UL-D30-GL-TPM-RAL1020

**BB-GLB-UL-
D30-GL-TPM-
RAL1020**

Notes:

3.5 Pipe Mounting Options:



-PM

Direct Mounted Fixed Pipe M
only for D30/40/50 MATT finish models*

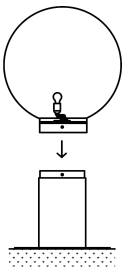
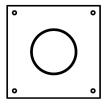
Dimensions:

-PHG6	H: 6" (15.2 cm)	<input type="checkbox"/>
-PHG8	H: 8" (20.3 cm)	<input type="checkbox"/>
-PHG10	H: 10" (25.4 cm)	<input type="checkbox"/>
-PHG12	H: 12" (30.5 cm)	<input type="checkbox"/>
-PHG24	H: 24" (61 cm)	<input type="checkbox"/>
-PHG36	H: 36" (91.4 cm)	<input type="checkbox"/>
-PHG42	H: 42" (106.7 cm)	<input type="checkbox"/>
Custom height on request		<input type="checkbox"/>
-PDG8	Ø: 8" (20.3 cm)	<input type="checkbox"/>
-PDG10	Ø: 10" (25.4 cm)	<input type="checkbox"/>

Material:
Polyethylene (Matt)
Stainless Steel

Finishing:
Olive, Vanilla, Black, Chocolate, Pistachio, Indigo,
Beige, Dark Brown, Flamingo, Pink, Light Blue

Base:
E3-Medium



-PG

Direct Mounted Fixed Pipe G
only for D30/40/50 GLOSSY finish models*

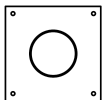
Dimensions:

-PHG6	H: 6" (15.2 cm)	<input type="checkbox"/>
-PHG8	H: 8" (20.3 cm)	<input type="checkbox"/>
-PHG10	H: 10" (25.4 cm)	<input type="checkbox"/>
-PHG12	H: 12" (30.5 cm)	<input type="checkbox"/>
-PHG24	H: 24" (61 cm)	<input type="checkbox"/>
-PHG36	H: 36" (91.4 cm)	<input type="checkbox"/>
-PHG42	H: 42" (106.7 cm)	<input type="checkbox"/>
Custom height on request		<input type="checkbox"/>
-PDG8	Ø: 8" (20.3 cm)	<input type="checkbox"/>
-PDG10	Ø: 10" (25.4 cm)	<input type="checkbox"/>

Material:
Polyethylene (Glossy)
Stainless Steel

Finishing:
Olive, Vanilla, Black, Chocolate, Pistachio, Indigo,
Beige, Dark Brown, Flamingo, Pink, Light Blue

Base:
E1



Due to the dynamic nature of lighting products and the associated technologies, luminaire data on all specification sheets is subject to change at the discretion of Gordon Bullard LLC and associated companies.

THINK BOLLARD - THINK BULLARD

sales@gordonbullard.com / www.bullardbollards.com / 1-877-964-4646

991 South Gull Lake Dr Richland, MI 49083 USA

Fixture Type:

HOW TO ORDER:

CODE:

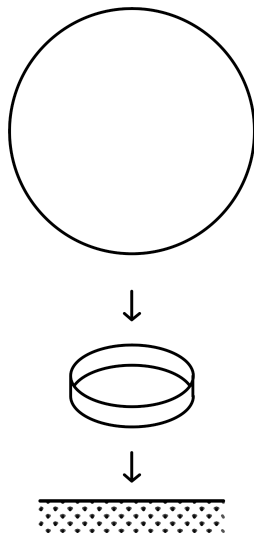
Project Name:

Example:
CODE: BB-GLB-UL-D30-GL-TPM-RAL1020

**BB-GLB-UL-
D30-GL-TPM-
RAL1020**

Notes:

3.6 Ring Mounting Options:



-SPM

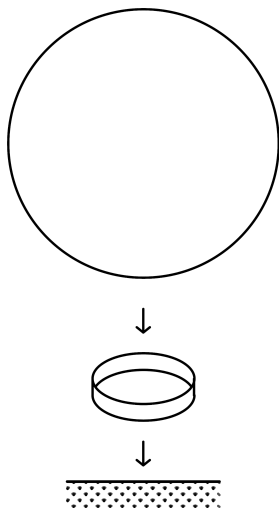
Free standing support ring
only for D60/70/80 models*

Dimensions:
Ø:11.18" (30 cm) x H: 2" (5 cm)

Material:
Polyethylene (Matt)
Stainless Steel

Finishing:
Silver

Base:
E3



-SPG

Free standing support ring
only for D60/70/80 models*

Dimensions:
Ø:11.18" (30 cm) x H: 2" (5 cm)

Material:
Polyethylene (Glossy)
Stainless Steel

Finishing:
Silver

Base:
E1



Due to the dynamic nature of lighting products and the associated technologies, luminaire data on all specification sheets is subject to change at the discretion of Gordon Bullard LLC and associated companies.

THINK BOLLARD - THINK BULLARD

sales@gordonbullard.com / www.bullardbollards.com / 1-877-964-4646

991 South Gull Lake Dr Richland, MI 49083 USA

Fixture Type:

HOW TO ORDER:

CODE:

Project Name:

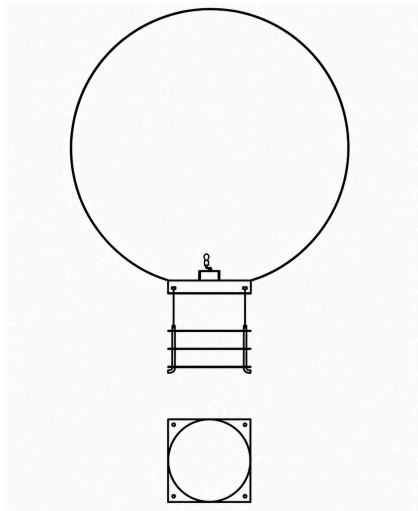
Example:

CODE: BB-GLB-UL-D30-GL-TPM-RAL1020

**BB-GLB-UL-
D30-GL-TPM-
RAL1020**

Notes:

3.7 Anchor Kit Mounting Options:



-AK60

Anchor Kit Cement Installation
only for D200 model*

Dimensions:

W: 23.4" (59.5 cm) x L: 23.4" (59.5 cm)

Material:

Polyethylene (Matt)
Stainless Steel

Finishing:

Olive, Vanilla, Black, Chocolate, Pistachio, Indigo,
Beige, Dark Brown, Flamingo, Pink, Light Blue

Base:

E3



4 Base & Pole Finish Options:

-RAL 1020 Olive 
-RAL 9002 Vanilla 
-RAL 9005 Black 
-RAL 1011 Chocolate 
-RAL 6090 Pistachio 

-RAL 5013 Indigo 
-RAL 1015 Beige 
-RAL 8011 Dark Brown 
-RAL 040 90 10 Flamingo Pink 
-RAL 240 08 15 Light Blue 



Due to the dynamic nature of lighting products and the associated technologies, luminaire data on all specification sheets is subject to change at the discretion of Gordon Bullard LLC and associated companies.

THINK BOLLARD - THINK BULLARD

sales@gordonbullard.com / www.bullardbollards.com / 1-877-964-4646

991 South Gull Lake Dr Richland, MI 49083 USA



Fixture Type:

HOW TO ORDER:

CODE:

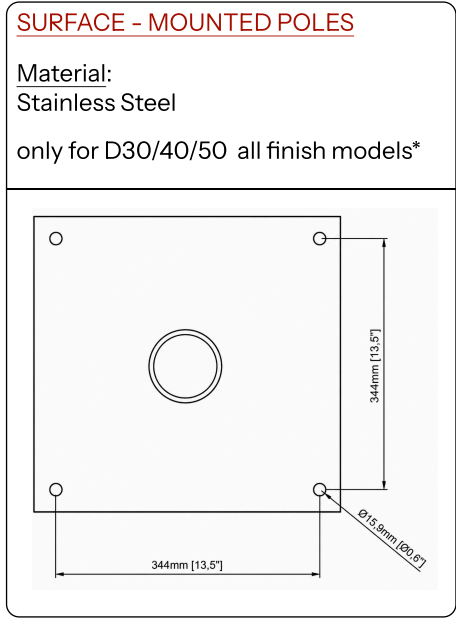
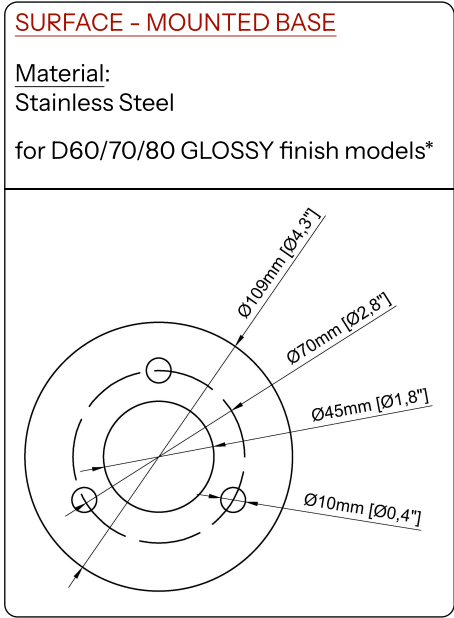
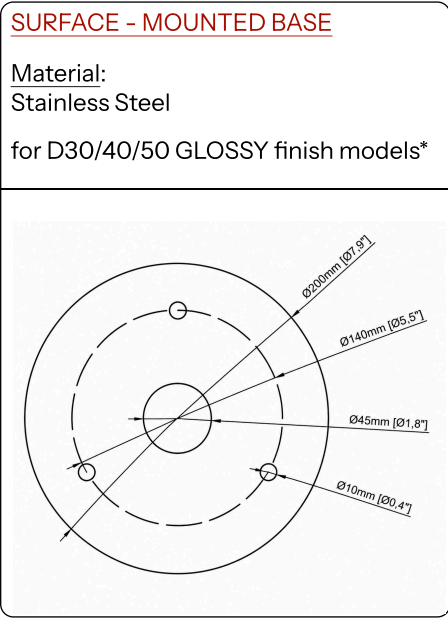
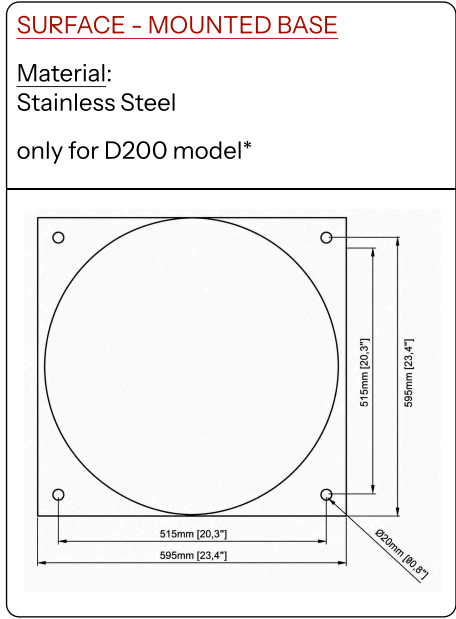
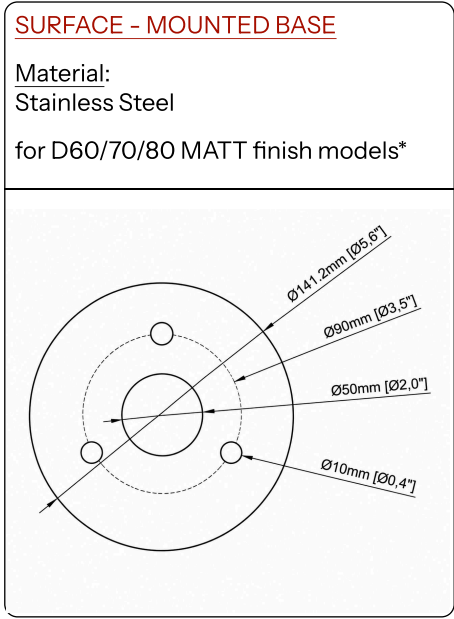
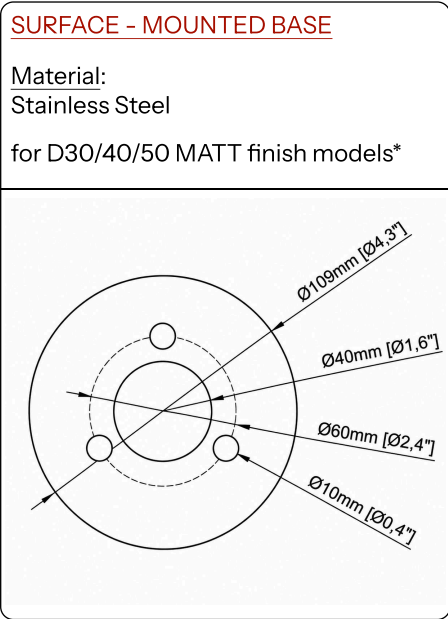
Project Name:

Example:
CODE: BB-GLB-UL-D30-GL-TPM-RAL1020

**BB-GLB-UL-
D30-GL-TPM-
RAL1020**

Notes:

Bolt Patterns:



Due to the dynamic nature of lighting products and the associated technologies, luminaire data on all specification sheets is subject to change at the discretion of Gordon Bullard LLC and associated companies.

THINK BOLLARD - THINK BULLARD

sales@gordonbullard.com / www.bullardbollards.com / 1-877-964-4646

991 South Gull Lake Dr Richland, MI 49083 USA



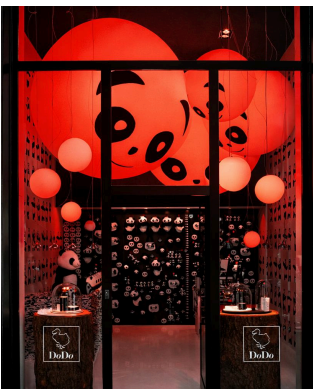
**BULLARD
BOLLARDS**
Think Bollard Think Bullard

RELATED PRODUCTS



1/2 Globo Floor

Part Number:
LPMSF041



Globo Suspended

Part Number:

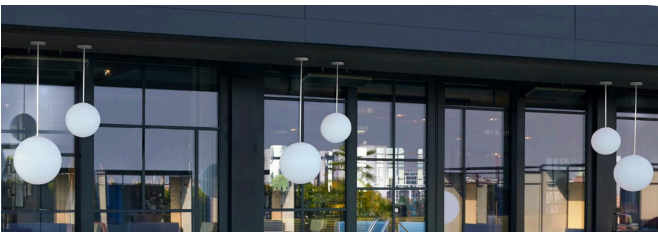
BB-GS30-SD	Ø30
BB-GS40-SD	Ø40
BB-GS50-SD	Ø50
BB-GS60-SD	Ø60
BB-GS70-SD	Ø70
BB-GS80-SD	Ø80
BB-GS120-SD	Ø120
BB-GS200-SD	Ø200



Acquaglobo

Part Number:

LPSFG030	Ø30
LPSFG040	Ø40
LPSFG050	Ø50
LPSFG060	Ø60
LPSFG070	Ø70



Globo Tige

Part Number:

BB-GT-30-SD	Ø30
BB-GT-40-SD	Ø40



Due to the dynamic nature of lighting products and the associated technologies, luminaire data on all specification sheets is subject to change at the discretion of Gordon Bullard LLC and associated companies.

THINK BOLLARD - THINK BULLARD

sales@gordonbullard.com / www.bullardbollards.com / 1-877-964-4646

991 South Gull Lake Dr Richland, MI 49083 USA