



**BULLARD
BOLLARDS**
Think Bollard Think Bullard

RONI Inground Luminaire - Compact/Mini





FIXTURE TYPE: _____

PROJECT NAME: _____



GENERAL INFORMATION:

Roni is a dynamic LED inground light, with energy-efficient operation and impressive luminance. Roni enhances outdoor spaces effortlessly, supports dimming options and allows you to create the perfect ambiance with ease. Experience superior lighting versatility with Roni.

FIXTURE TYPE:

Inground Luminaires - Compact/Mini

LIGHTING:

LED LED

VOLTAGE:

110-277V

MATERIAL:

Aluminium anodized finishing or powder painting

CRI:

80

IP RATING:

IP 67 IP67

IK RATING:

IK 06

sales@gordonbullard.com
www.bullardbollards.com
1-877-964-4646



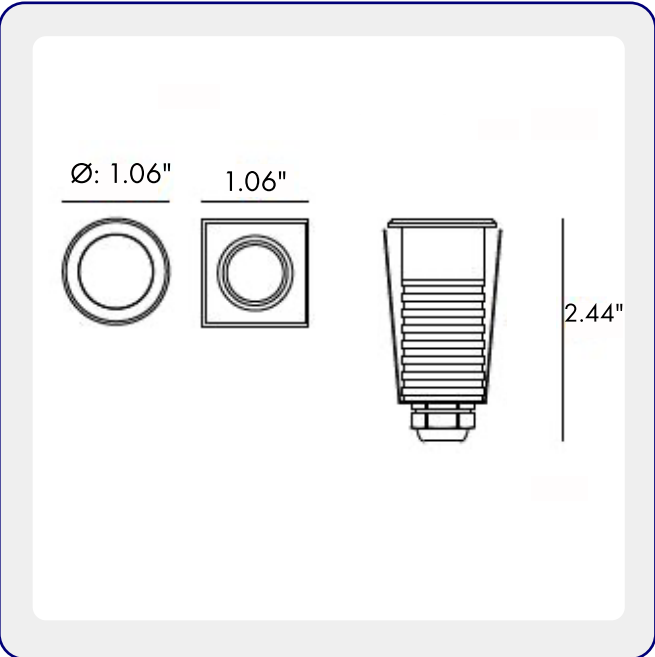
991 South Gull Lake Dr
Richland, MI 49083
USA



FIXTURE TYPE: _____

PROJECT NAME: _____

NOTES:



HOW TO ORDER:

CODE:

Example:
CODE: BB-RN-KPG-IL-XXX-XXX-XXX-XXX-XXX-XXX

BB-RN-KPG-IL-D2BPR0134-K30-DIM-

1 MODELS:

CODE -D2BPR0134

DIMENSIONS:

Diameter - Ø: 1.06" (2.7 cm)
 Height - H: 2.44" (6.2 cm)

LIGHT SOURCE:

LED / 1 x 0.5W / 26 mA / 23 lm / IK 06 / 110-277V

CODE -D2BPS0134

DIMENSIONS:

Height - H: 1.06" (2.7 cm)
 Width - W: 1.06" (2.7 cm)
 Length - L: 2.44" (6.2 cm)

LIGHT SOURCE:

LED / 1 x 0.5W / 26 mA / 23 lm / IK 06 / 110-277V

2 CCT OPTIONS:

-K30 3000K
 -CUS Custom on request*

3 DIMMING OPTIONS:

-DIM 1-10V
 -PWM Pulse Width Modulation
 -DALI DALI (Digital Addressable Lighting Interface)

4 WATER PROOF SOLUTION: (optional)

-B
A Water-Stopper (Included)
 IP-67 water-stopper is added in the end of luminaires as standard assembly which is also an important system for water resistance.

B IP67 Jiffy quick plug/socket connector (Optional)
 IP-67 connector is as an Optional assembly and ensures that water vapor will not enter into luminaires directly.



sales@gordonbullard.com
 www.bullardbollards.com
 1-877-964-4646



991 South Gull Lake Dr
 Richland, MI 49083
 USA

FIXTURE TYPE: _____

PROJECT NAME: _____

NOTES:



LED

110-277V



IP67



HOW TO ORDER:

CODE:

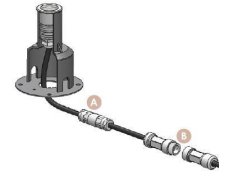
Example:
CODE: BB-RN-KPG-IL-XXX-XXX-XXX-XXX-XXX-XXX

BB-RN-KPG-IL-D2BPR0134-K30-DIM-

5 ACCESSORIES:

SLEEVE (OPTION 1)

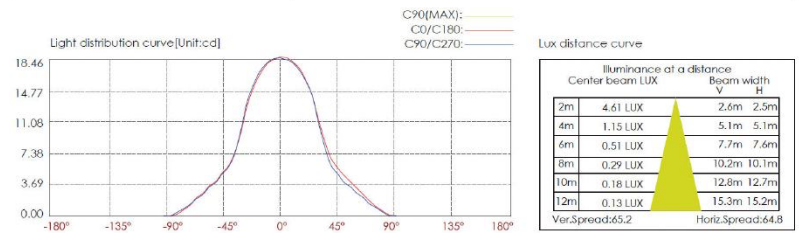
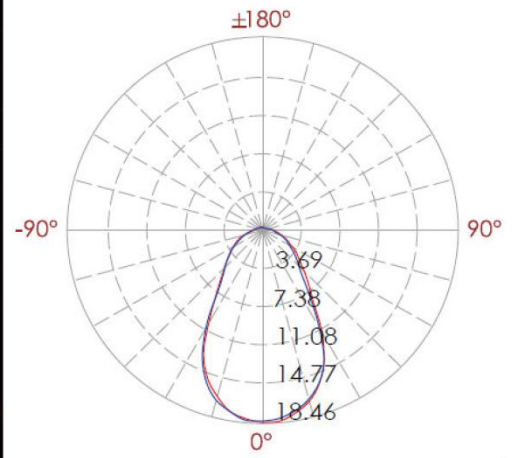
SLEEVE (OPTION 2)



-114#

-180#

6 PHOTOMETRIC INFO:



sales@gordonbullard.com
www.bullardbollards.com
1-877-964-4646



991 South Gull Lake Dr
Richland, MI 49083
USA