



# LINO

## Suspended - Surface

Combining clean line aesthetics with IP66 rated protection against the elements, Lino is a slim, linear luminaire that subtly integrates into exterior or interior environments.

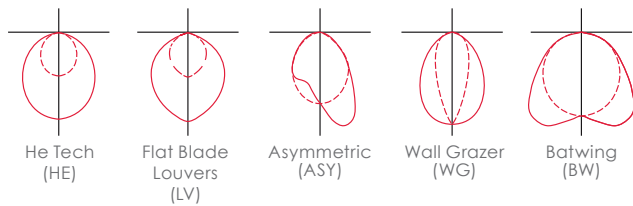
- IP66 rating for protection against the elements
- Incredibly small profile
- No visible hardware for clean line aesthetics
- Adjustable mounting options for ease of installation
- IK10 rating for SP profile and IK08 for WP profile

### PERFORMANCE

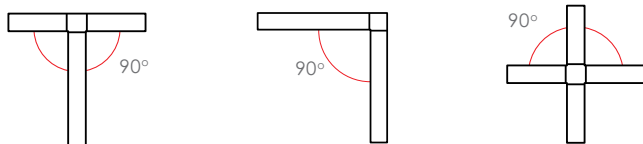
FIXTURE	OUTPUT	OPTICS	NOMINAL		
			OUTPUT	INPUT WATTS	EFFICACY
LIN3SP	LVH	HE Tech	1262 lm/ft	12.5 W/ft	101 lm/W
	LH	HE Tech	1028 lm/ft	9.7 W/ft	106 lm/W
	LS	HE Tech	533 lm/ft	4.8 W/ft	111 lm/W
LIN3WP	LVH	HE Tech	1300 lm/ft	12.5 W/ft	104 lm/W
	LH	HE Tech	1058 lm/ft	9.6 W/ft	110 lm/W
	LS	HE Tech	547 lm/ft	4.8 W/ft	114 lm/W

Based on static white 35K HE lens fixtures. For the complete photometric data of this fixture refer to page 4.

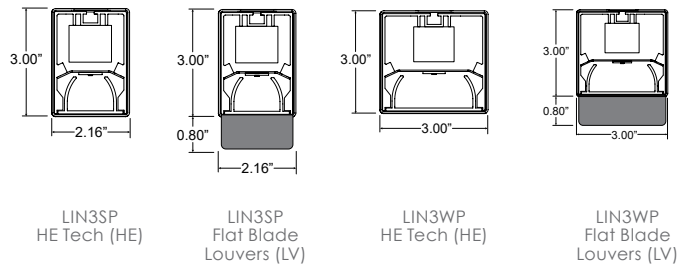
### DOWNLIGHT LENS OPTIONS



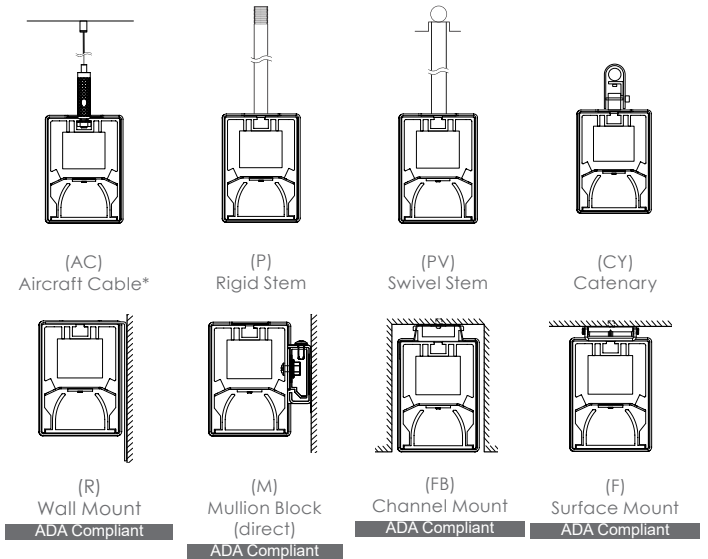
### MULTIPLE CORNERS OPTIONS



### DIMENSIONS



### MOUNTING OPTIONS



PERFORMANCE AT 3500K

FIXTURE	OUTPUT	OPTICS	NOMINAL		
			LUMEN OUTPUT	INPUT WATTS	EFFICACY
LIN3SP	LVH	HE Tech	1262 lm/ft	12.5 W/ft	101 lm/W
	LH	HE Tech	1028 lm/ft	9.7 W/ft	106 lm/W
	LS	HE Tech	533 lm/ft	4.8 W/ft	111 lm/W
LIN3WP	LVH	HE Tech	1300 lm/ft	12.5 W/ft	104 lm/W
	LH	HE Tech	1058 lm/ft	9.6 W/ft	110 lm/W
	LS	HE Tech	547 lm/ft	4.8 W/ft	114 lm/W

For the complete photometric data of this fixture refer to page 4.

PROJECT INFORMATION

Project Info	Date
Type	Quantity

**Need help? Don't see what you need?**

Please reach out to our talented Design Team for any specific requests or questions you may have: [designassist@alights.com](mailto:designassist@alights.com)

LIN

LIN	SERIES	FIXTURE TYPE	FIXTURE SIZE	LENGTH OR PATTERN	OUTPUT	LED CCT	CRI	VOLTAGE
LIN	1 <sup>1</sup> 3	Indirect Direct	SP 3" X 2" WP 3" X 3"	_ Nominal Length <sup>1,4</sup> M_ Exact Length <sup>2,4</sup> PL_ "L" shape <sup>3</sup> PT_ "T" shape <sup>3</sup> PX_ "X" shape <sup>3</sup> CP_ Custom pattern <sup>4</sup>	LVH Very High Output LH High Output LS Standard Output C_ Custom Output <sup>1</sup>	27 2700K 30 3000K 35 3500K 40 4000K TW Tunable White (27K to 50K) <sup>1</sup> DW Dim-to-warm <sup>2</sup>	_ 80+ CRI CRI 90+ CRI	U 120-277V 3 <sup>1</sup> 347V

<sup>1</sup> Mullion block mounting only

<sup>1</sup> Specify in feet to the nearest foot (i.e. 8). Minimum fixture length is 2'. For fixtures shorter than 8', specify if adjustable mounting is required.

<sup>2</sup> Specify in inches to the nearest 1/8 (i.e. 180,125). Minimum fixture length is 2'.

<sup>3</sup> Specify in inches to the nearest 1/8. Corners are unlit.

<sup>4</sup> Contact Design Assist for custom pattern or standalone with adjustable mounting point.


<sup>1</sup> If other output is needed, please contact Design Assist.


<sup>1</sup> Not available in dual 0-10V on catenary mount.


<sup>2</sup> Standard CCT range is 27-50K. Contact Design Assist for custom range.


<sup>1</sup> Not offered with tunable white and dim to warm


OPTICS	MOUNTING	FINISH	DIMMING	EMERGENCY	OPTIONS
HE HE Tech LV Flat Blade Louver <sup>1</sup> ASY Asymmetric WG Wall Grazer BW Batwing	P_ Rigid Stem <sup>1</sup> PV_ Swivel Stem <sup>1</sup> S_ Aircraft Cable <sup>2</sup> F Ceiling Surface Mount <sup>3</sup> FB Channel Mount <sup>4</sup> R Wall Mount M_ Mullion block <sup>5</sup> CY Catenary <sup>6</sup>	T Titanium W White B Black O_ Other <sup>1</sup>	D Standard 0-10V dimming <sup>1</sup> D4 DALI dim-to-off (EldoLED) NAIR nLight @AIR (dim-to-off) <sup>2</sup> DO Dimming - Other <sup>3</sup>	E_ Emergency - battery <sup>1</sup> EC Emergency - circuit <sup>2</sup>	K Natatorium application <sup>1</sup> TP Tamper resistant end caps AC Armored cable entry LT Low temperature <sup>2</sup>


**CBD** 


**SFH** 

**SDW** 

**LME** 

**SPN** 

**SMN** 

**SCY** 

<sup>1</sup> Indicate stem length to nearest inch. 6" minimum.

<sup>2</sup> Specify cable length to nearest inch. 6" minimum. Standard 48" field adjustable cable, to nearest inch if over 48". Not rated for outdoor usage.

<sup>3</sup> Available for ceiling and wall surface mounting.

<sup>4</sup> Not available with corners.

<sup>5</sup> Enter 1 for 1" depth. Enter 5 for 1/2" depth. 2 for 1.5" depth.

<sup>6</sup> Specify cable lengths to the nearest inch.

<sup>1</sup> Specify RAL#

<sup>1</sup> 1% Dimming standard unless otherwise specified.

<sup>2</sup> Not offered with ceiling surface and channel mount.

<sup>3</sup> Specify if other dimming driver is needed. Contact Design Assist.

<sup>1</sup> Factory-installed emergency battery pack. Specify desired quantity of batteries. Not available on fixtures <4' length. Not available for 347V. See technical data for more information.

<sup>2</sup> For dedicated LED sections being on emergency circuit contact Design Assist for details.

<sup>1</sup> Not available with aircraft cable. See guide and contact Design Assist. Not compatible with Drop Lens, Flat Blade Louvers

<sup>2</sup> Operating temperature up to -40°C

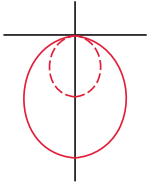


PHOTOMETRIC DATA | LINO SP

DIRECT HE TECH

LH- 4FT- 3500K

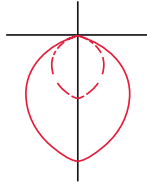
Lumens: 1028 lm/ft  
Input watts: 9.7 W/ft  
Efficacy: 106 lm/W



DIRECT FLAT BLADE LOUVERS

LH- 4FT- 3500K- White finish

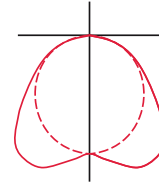
Lumens: 777 lm/ft  
Input watts: 10.1 W/ft  
Efficacy: 76 lm/W



DIRECT BATWING

LH- 4FT- 3500K

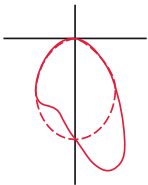
Lumens: 708 lm/ft  
Input watts: 9.8 W/ft  
Efficacy: 72 lm/W



DIRECT ASYMMETRIC

LH- 4FT- 3500K

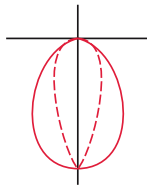
Lumens: 784 lm/ft  
Input watts: 9.8 W/ft  
Efficacy: 80 lm/W



DIRECT WALL GRAZER

LH- 4FT- 3500K

Lumens: 761 lm/ft  
Input watts: 9.8 W/ft  
Efficacy: 78 lm/W

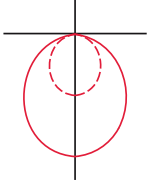


PHOTOMETRIC DATA | LINO WP

DIRECT HE TECH

LH- 4FT- 3500K

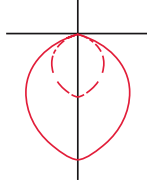
Lumens: 1058 lm/ft  
Input watts: 9.6 W/ft  
Efficacy: 110 lm/W



DIRECT FLAT BLADE LOUVERS

LH- 4FT- 3500K- White finish

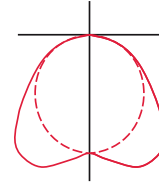
Lumens: 805 lm/ft  
Input watts: 9.8 W/ft  
Efficacy: 82 lm/W



DIRECT BATWING

LH- 4FT- 3500K

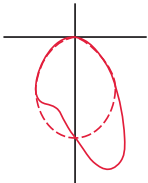
Lumens: 665 lm/ft  
Input watts: 9.7 W/ft  
Efficacy: 68.4 lm/W



DIRECT ASYMMETRIC

LH- 4FT- 3500K

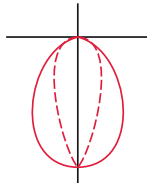
Lumens: 831 lm/ft  
Input watts: 9.8 W/ft  
Efficacy: 85 lm/W



DIRECT WALL GRAZER

LH- 4FT- 3500K

Lumens: 898 lm/ft  
Input watts: 9.7 W/ft  
Efficacy: 93 lm/W



LIGHT LOSS FACTORS (LLF)

LINO SP													
OUTPUT	CCT	LLF RATIO		DIRECT									
				HE Tech		Flat Blade Louver		Batwing		Asymmetric		Wall Grazer	
		CRI 80+	CRI 90+	CRI 80 +	CRI 90 +	CRI 80 +	CRI 90 +	CRI 80 +	CRI 90 +	CRI 80 +	CRI 90 +	CRI 80 +	CRI 90 +
LVH	4000k	102.1%	90.2%	1289 lm/ft	1138 lm/ft	974 lm/ft	861 lm/ft	888 lm/ft	785 lm/ft	983 lm/ft	869 lm/ft	955 lm/ft	843 lm/ft
	3500k	100.0%	87.3%	1262 lm/ft	1102 lm/ft	954 lm/ft	833 lm/ft	870 lm/ft	760 lm/ft	963 lm/ft	841 lm/ft	935 lm/ft	816 lm/ft
	3000k	96.2%	82.4%	1214 lm/ft	1040 lm/ft	918 lm/ft	786 lm/ft	837 lm/ft	717 lm/ft	926 lm/ft	794 lm/ft	899 lm/ft	770 lm/ft
	2700k	92.5%	78.1%	1167 lm/ft	986 lm/ft	882 lm/ft	745 lm/ft	805 lm/ft	679 lm/ft	891 lm/ft	752 lm/ft	865 lm/ft	730 lm/ft
LH	4000k	102.1%	90.2%	1050 lm/ft	927 lm/ft	793 lm/ft	701 lm/ft	723 lm/ft	639 lm/ft	800 lm/ft	707 lm/ft	777 lm/ft	686 lm/ft
	3500k	100.0%	87.3%	1028 lm/ft	897 lm/ft	777 lm/ft	678 lm/ft	708 lm/ft	618 lm/ft	784 lm/ft	684 lm/ft	761 lm/ft	664 lm/ft
	3000k	96.2%	82.4%	989 lm/ft	847 lm/ft	747 lm/ft	640 lm/ft	681 lm/ft	585 lm/ft	754 lm/ft	646 lm/ft	732 lm/ft	627 lm/ft
	2700k	92.5%	78.1%	951 lm/ft	803 lm/ft	719 lm/ft	607 lm/ft	655 lm/ft	553 lm/ft	725 lm/ft	612 lm/ft	704 lm/ft	594 lm/ft
LS	4000k	102.1%	90.2%	544 lm/ft	481 lm/ft	405 lm/ft	358 lm/ft	375 lm/ft	331 lm/ft	414 lm/ft	365 lm/ft	398 lm/ft	352 lm/ft
	3500k	100%	87.3%	533 lm/ft	465 lm/ft	397 lm/ft	347 lm/ft	367 lm/ft	320 lm/ft	405 lm/ft	354 lm/ft	390 lm/ft	340 lm/ft
	3000k	96.2%	82.4%	513 lm/ft	439 lm/ft	382 lm/ft	327 lm/ft	353 lm/ft	302 lm/ft	390 lm/ft	334 lm/ft	375 lm/ft	321 lm/ft
	2700k	92.5%	78.1%	493 lm/ft	416 lm/ft	367 lm/ft	310 lm/ft	339 lm/ft	287 lm/ft	375 lm/ft	316 lm/ft	361 lm/ft	305 lm/ft

LINO WP													
OUTPUT	CCT	LLF RATIO		DIRECT									
				HE Tech		Flat Blade Louver		Batwing		Asymmetric		Wall Grazer	
		CRI 80+	CRI 90+	CRI 80 +	CRI 90 +	CRI 80 +	CRI 90 +	CRI 80 +	CRI 90 +	CRI 80 +	CRI 90 +	CRI 80 +	CRI 90 +
LVH	4000k	102.1%	90.2%	1327 lm/ft	1173 lm/ft	1010 lm/ft	892 lm/ft	1037 lm/ft	916 lm/ft	1037 lm/ft	916 lm/ft	1125 lm/ft	994 lm/ft
	3500k	100.0%	87.3%	1300 lm/ft	1135 lm/ft	989 lm/ft	863 lm/ft	1016 lm/ft	887 lm/ft	1016 lm/ft	887 lm/ft	1102 lm/ft	962 lm/ft
	3000k	96.2%	82.4%	1251 lm/ft	1071 lm/ft	951 lm/ft	815 lm/ft	977 lm/ft	837 lm/ft	977 lm/ft	837 lm/ft	1060 lm/ft	908 lm/ft
	2700k	92.6%	78.1%	1203 lm/ft	1015 lm/ft	915 lm/ft	772 lm/ft	940 lm/ft	793 lm/ft	940 lm/ft	793 lm/ft	1019 lm/ft	861 lm/ft
LH	4000k	102.1%	90.2%	1080 lm/ft	954 lm/ft	822 lm/ft	726 lm/ft	844 lm/ft	746 lm/ft	844 lm/ft	746 lm/ft	917 lm/ft	810 lm/ft
	3500k	100.0%	87.3%	1058 lm/ft	924 lm/ft	805 lm/ft	703 lm/ft	827 lm/ft	722 lm/ft	827 lm/ft	722 lm/ft	898 lm/ft	784 lm/ft
	3000k	96.2%	82.4%	1018 lm/ft	872 lm/ft	774 lm/ft	663 lm/ft	796 lm/ft	681 lm/ft	796 lm/ft	681 lm/ft	864 lm/ft	740 lm/ft
	2700k	92.6%	78.1%	979 lm/ft	826 lm/ft	745 lm/ft	629 lm/ft	765 lm/ft	646 lm/ft	765 lm/ft	646 lm/ft	831 lm/ft	701 lm/ft
LS	4000k	102.1%	90.2%	558 lm/ft	493 lm/ft	421 lm/ft	372 lm/ft	437 lm/ft	386 lm/ft	437 lm/ft	386 lm/ft	477 lm/ft	421 lm/ft
	3500k	100%	87.3%	547 lm/ft	478 lm/ft	412 lm/ft	360 lm/ft	428 lm/ft	374 lm/ft	428 lm/ft	374 lm/ft	467 lm/ft	408 lm/ft
	3000k	96.2%	82.4%	526 lm/ft	451 lm/ft	396 lm/ft	339 lm/ft	412 lm/ft	353 lm/ft	412 lm/ft	353 lm/ft	449 lm/ft	385 lm/ft
	2700k	92.5%	78.1%	506 lm/ft	427 lm/ft	381 lm/ft	322 lm/ft	396 lm/ft	334 lm/ft	396 lm/ft	334 lm/ft	432 lm/ft	365 lm/ft

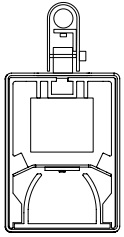
TUNABLE WHITE | LIGHT LOSS FACTORS (LLF)

LINO SP							
OUTPUT	CCT	CRI 80+					
		%	OPTICS				
			HE Tech	Flat Blade Louver	Batwing	Wall Wash	Wall Grazer
LVH	5000k	100%	1262 lm/ft	954 lm/ft	870 lm/ft	963 lm/ft	935 lm/ft
	2700k	93.6%	1181 lm/ft	893 lm/ft	814 lm/ft	901 lm/ft	875 lm/ft
LH	5000k	100%	1028 lm/ft	777 lm/ft	708 lm/ft	784 lm/ft	761 lm/ft
	2700k	93.6%	962 lm/ft	727 lm/ft	663 lm/ft	734 lm/ft	712 lm/ft
LS	5000k	100%	533 lm/ft	397 lm/ft	367 lm/ft	405 lm/ft	390 lm/ft
	2700k	93.6%	499 lm/ft	372 lm/ft	344 lm/ft	379 lm/ft	365 lm/ft

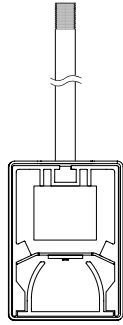
LINO WP							
OUTPUT	CCT	CRI 80+					
		%	OPTICS				
			HE Tech	Flat Blade Louver	Batwing	Wall Wash	Wall Grazer
LVH	5000k	100%	1300 lm/ft	989 lm/ft	1016 lm/ft	1016 lm/ft	1125 lm/ft
	2700k	93.6%	1217 lm/ft	926 lm/ft	951 lm/ft	951 lm/ft	1053 lm/ft
LH	5000k	100%	1058 lm/ft	805 lm/ft	827 lm/ft	827 lm/ft	898 lm/ft
	2700k	93.6%	990 lm/ft	753 lm/ft	774 lm/ft	774 lm/ft	841 lm/ft
LS	5000k	100%	547 lm/ft	412 lm/ft	428 lm/ft	428 lm/ft	467 lm/ft
	2700k	93.6%	512 lm/ft	386 lm/ft	401 lm/ft	401 lm/ft	437 lm/ft

For standard output (LS) -50%. Values are applicable for Tunable White and Dim-to-warm only.

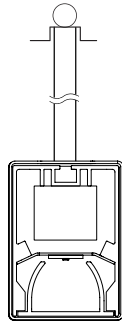
LINO SP



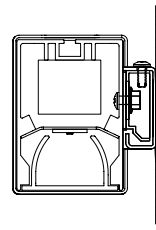
(CY) | Catenary



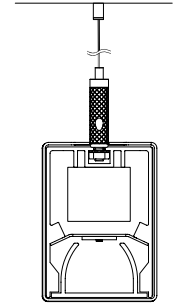
(P) | Stem



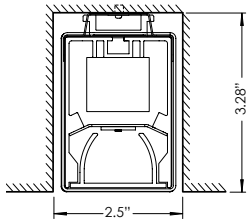
(PV) | Swivel Stem



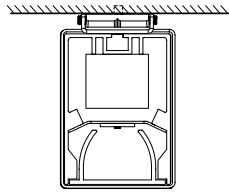
(MB) | Mullion Blocks Direct



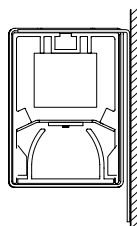
(AC) | Aircraft Cable Direct



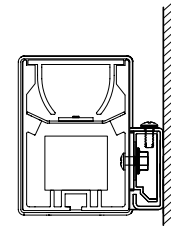
(FB) | Channel Mount



(F) | Surface Mount

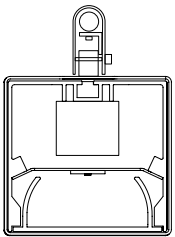


(R) | Wall Mount

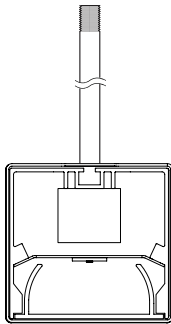


(MB) | Mullion Blocks Indirect

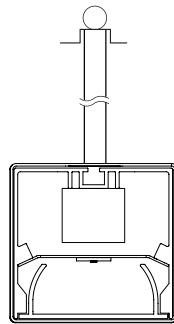
LINO WP



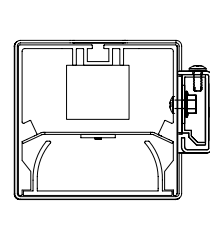
(CY) | Catenary



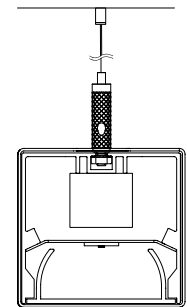
(P) | Stem



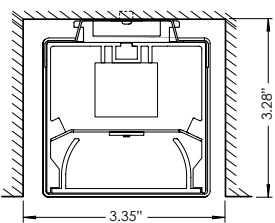
(PV) | Swivel Stem



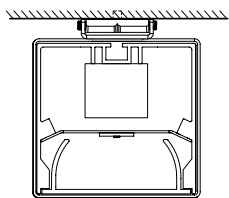
(MB) | Mullion Blocks Direct



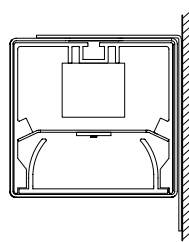
(AC) | Aircraft Cable



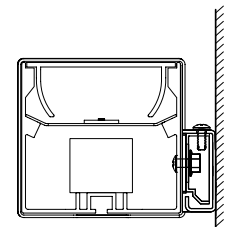
(FB) | Channel Mount



(F) | Surface Mount

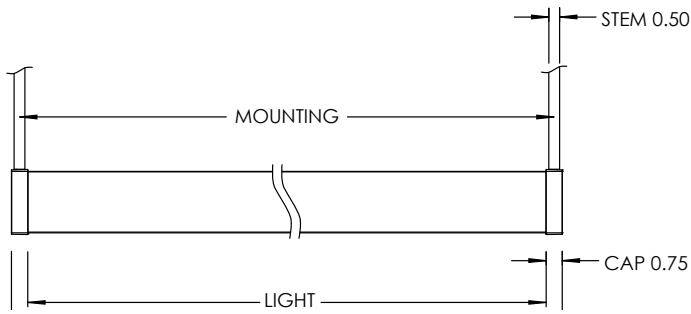


(R) | Wall Mount



(MB) | Mullion Blocks Indirect

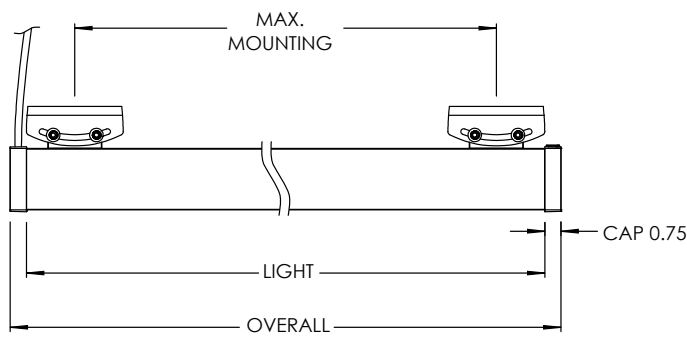
RIGID AND SWIVEL STEM



	DIMENSIONS (NOMINAL)						
	2'	3'	4'	5'	6'	7'	8'
<b>MOUNTING *</b>	24.75"	36.75"	48.75"	60.75"	72.75"	84.75"	96.75"
<b>LIGHT</b>	24.00"	36.00"	48.00"	60.00"	72.00"	84.00"	96.00"
<b>OVERALL</b>	25.50"	37.50"	49.50"	61.50"	73.50"	85.50"	97.50"

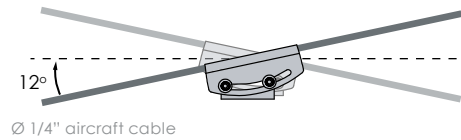
\* Not adjustable

CATENARY

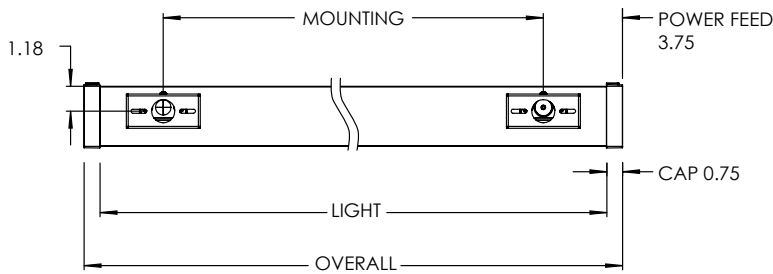


	DIMENSIONS (NOMINAL)						
	2'	3'	4'	5'	6'	7'	8'
<b>MOUNTING (MAX.)</b>	19.52"	31.52"	43.52"	55.52"	67.52"	79.52"	91.52"
<b>LIGHT</b>	24.00"	36.00"	48.00"	60.00"	72.00"	84.00"	96.00"
<b>OVERALL</b>	25.50"	37.50"	49.50"	61.50"	73.50"	85.50"	97.50"

ANGLE ADJUSTMENT :



MULLION BLOCK (DIRECT)



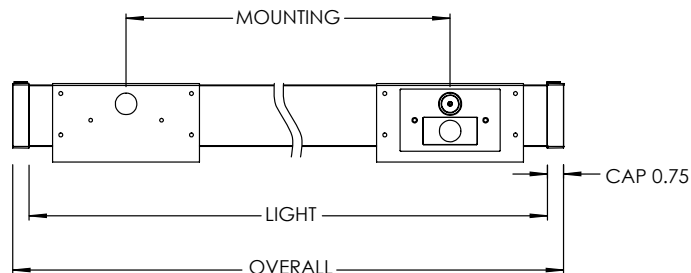
	DIMENSIONS (NOMINAL)						
	2'	3'	4'	5'	6'	7'	8'
<b>MOUNTING*</b>	18.00"	30.00"	42.00"	54.00"	66.00"	78.00"	90.00"
<b>LIGHT</b>	24.00"	36.00"	48.00"	60.00"	72.00"	84.00"	96.00"
<b>OVERALL</b>	25.50"	37.50"	49.50"	61.50"	73.50"	85.50"	97.50"

\*Max. specify otherwise.

\*2,3,4,5,6' two Mullion blocks. 7 and 8', three mullions with the middle one centered.

\*Power feed not adjustable, please specify position.

WALL MOUNT



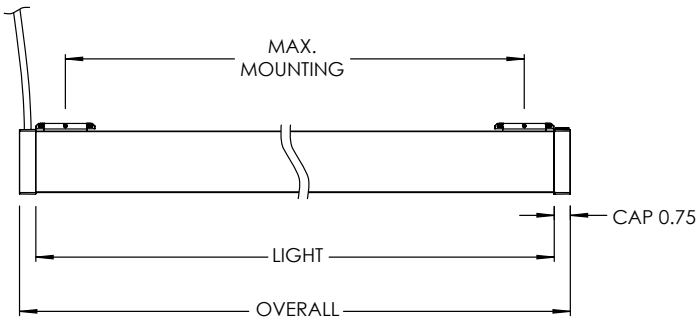
	DIMENSIONS (NOMINAL)						
	2'	3'	4'	5'	6'	7'	8'
<b>MOUNTING*</b>	15.00"	27.00"	39.00"	51.00"	63.00"	75.00"	87.00"
<b>LIGHT</b>	24.00"	36.00"	48.00"	60.00"	72.00"	84.00"	96.00"
<b>OVERALL</b>	25.50"	37.50"	49.50"	61.50"	73.50"	85.50"	97.50"

\*Max. specify otherwise.

\*2,3,4,5,6' two brackets. 7 and 8', three brackets with the middle one centered.

\*Power feed not adjustable, please specify position.

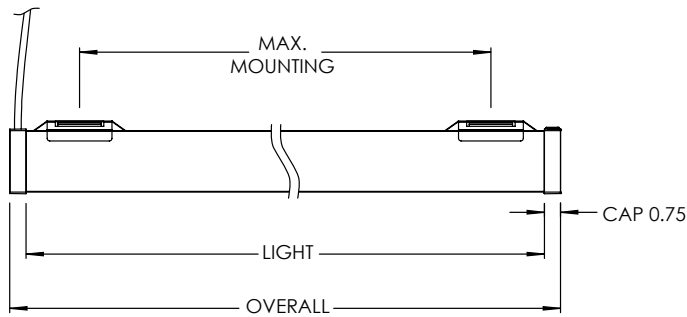
**CEILING SURFACE MOUNT**



	DIMENSIONS (NOMINAL)						
	2'	3'	4'	5'	6'	7'	8'
<b>MOUNTING (MAX.)</b>	21.24"	33.24"	45.24"	57.24"	69.24"	81.24"	93.24"
<b>LIGHT</b>	24.00"	36.00"	48.00"	60.00"	72.00"	84.00"	96.00"
<b>OVERALL</b>	25.50"	37.50"	49.50"	61.50"	73.50"	85.50"	97.50"

\*Adjustable  
 \*2,3,4,5,6' two mounting brackets. 7 and 8', three mounting brackets with the middle one centered.  
 \*Power feed not adjustable, please specify position.

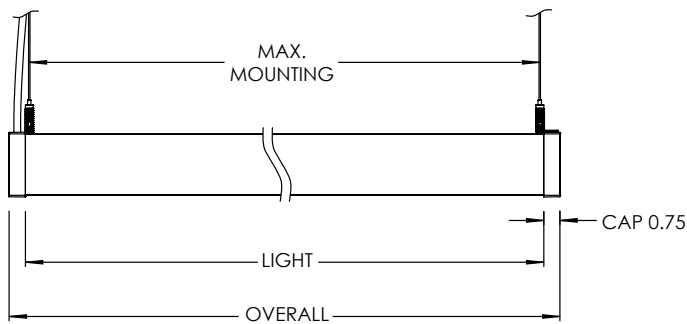
**CHANNEL MOUNT**



	DIMENSIONS (NOMINAL)						
	2'	3'	4'	5'	6'	7'	8'
<b>MOUNTING (MAX.)*</b>	19.05"	31.05"	43.05"	55.05"	67.05"	79.05"	91.05"
<b>LIGHT</b>	24.00"	36.00"	48.00"	60.00"	72.00"	84.00"	96.00"
<b>OVERALL</b>	25.50"	37.50"	49.50"	61.50"	73.50"	85.50"	97.50"

\*Adjustable  
 \*2,3,4,5,6' two mounting brackets. 7 and 8', three mounting brackets with the middle one centered.  
 \*Power feed not adjustable, please specify position.

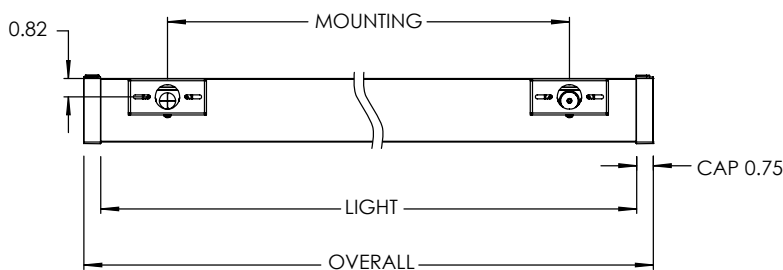
**AIRCRAFT CABLE**



	DIMENSIONS (NOMINAL)						
	2'	3'	4'	5'	6'	7'	8'
<b>MOUNTING (MAX.)*</b>	23.64"	35.64"	47.64"	59.64"	71.64"	83.64"	95.64"
<b>LIGHT</b>	24.00"	36.00"	48.00"	60.00"	72.00"	84.00"	96.00"
<b>OVERALL</b>	25.50"	37.50"	49.50"	61.50"	73.50"	85.50"	97.50"

\*Adjustable

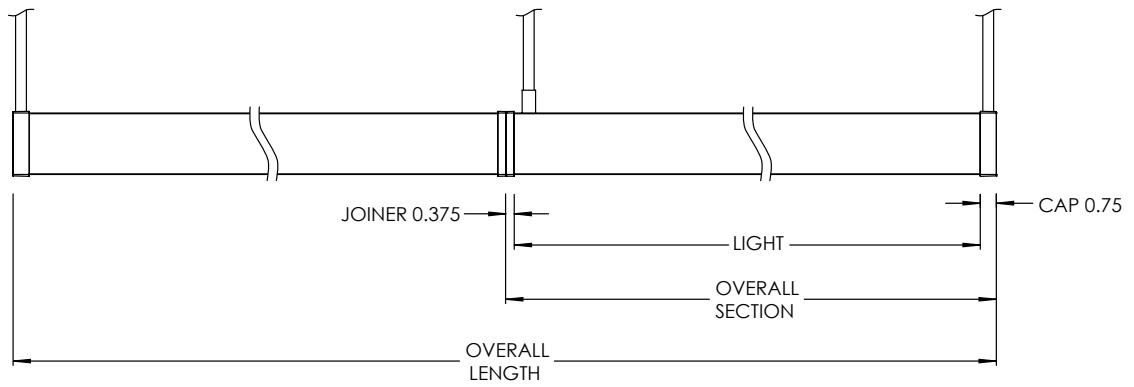
**MULLION BLOCK MOUNT (INDIRECT)**



	DIMENSIONS (NOMINAL)						
	2'	3'	4'	5'	6'	7'	8'
<b>MOUNTING*</b>	18.00"	30.00"	42.00"	54.00"	66.00"	78.00"	90.00"
<b>LIGHT</b>	24.00"	36.00"	48.00"	60.00"	72.00"	84.00"	96.00"
<b>OVERALL</b>	25.50"	37.50"	49.50"	61.50"	73.50"	85.50"	97.50"

\*Max, specify otherwise.  
 \*2,3,4,5,6' two Mullion blocks. 7 and 8', three mullions with the middle one centered.  
 \*Power feed not adjustable, please specify position.

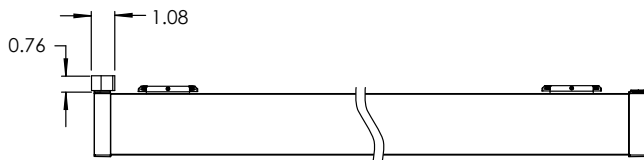
ROW MOUNTING



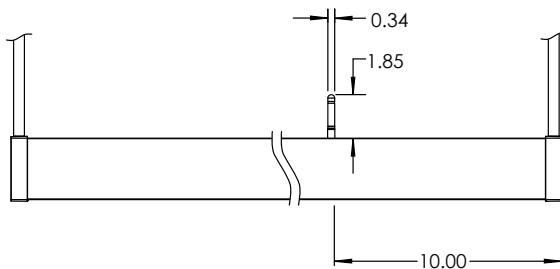
	DIMENSIONS (NOMINAL)						
	2'	3'	4'	5'	6'	7'	8'
<b>LIGHT</b>	24.00"	36.00"	48.00"	60.00"	72.00"	84.00"	96.00"
<b>OVERALL SECTION</b>	25.12"	37.12"	49.12"	61.12"	73.12"	85.12"	97.12"

	DIMENSIONS (NOMINAL)						
	10' (5'+5')	11' (6'+5')	12' (6'+6')	13' (7'+6')	14' (7'+7')	15' (8'+7')	16' (8'+8')
<b>OVERALL LENGTH</b>	122.24"	134.24"	146.24"	158.24"	170.24"	182.24"	194.24"

ARMORED CABLE

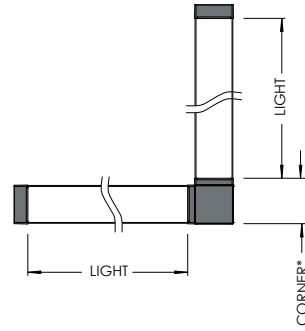
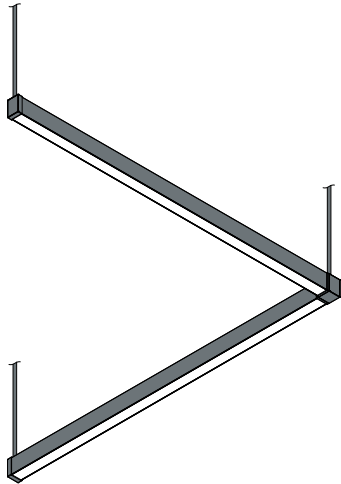


NLIGHT AIR



\*Not offered with surface and channel mount.

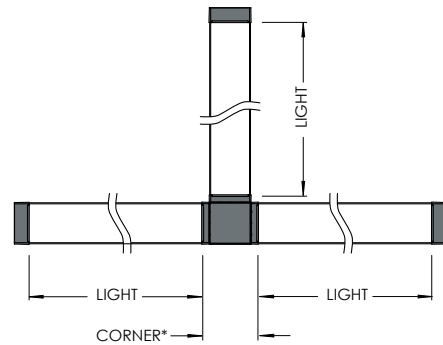
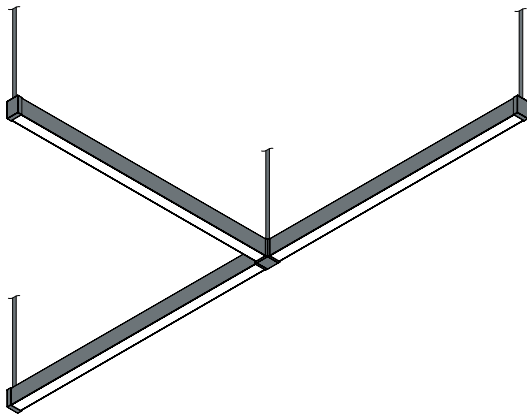
“L” SHAPE



	DIMENSION CORNER
SP	2.52"
WP	3.52"

\*Corner is unlit.

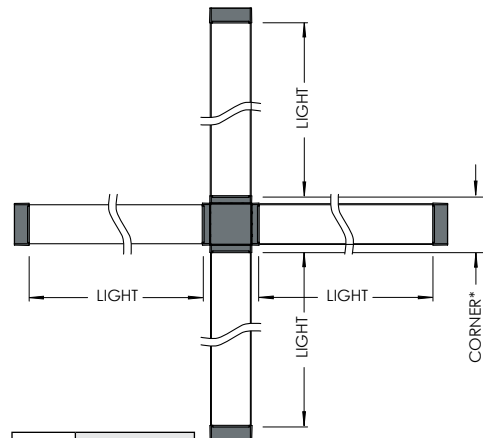
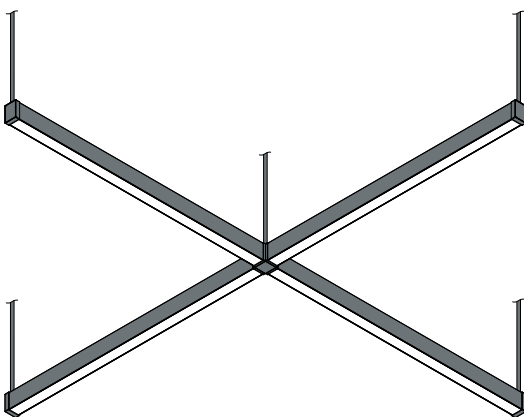
“T” SHAPE



	DIMENSION CORNER
SP	2.895"
WP	3.895"

\*Corner is unlit.

“X” SHAPE



	DIMENSION CORNER
SP	2.895"
WP	3.895"

\*Corner is unlit.

## LINEAR DIMENSIONS

Nominal or exact lengths to the nearest 1/8th of an inch available as individual fixtures or joined to create continuous row lengths, minimum fixture lengths is 2 feet. Patterns comprised of 90° L, T and X corners provide a multitude of geometric options and architectural transitions.

Custom - Contact Design Assist for modifications to product not detailed within the specification sheets.

## OPTICS

HE Tech patented extruded acrylic lens technology features high efficacy lumen outputs, UV-stability, an integrated opaque white reflector and an optimal uniform lens surface luminance for direct distribution and a TPU gasket for IP66 sealing.

Flat Blade Louvers are used to cut down on glare and better control the light source. This option includes the high efficacy extruded diffuse acrylic lens technology with integrated opaque white reflector (inserted between the louvers and the LEDs), that enhances glare control. The louvers standard finish matches the extrusion. Other colors and custom finish options available, specify RAL# or contact factory regarding custom finish requirement.

Asymmetric, Wall grazer and Batwing are film optics that refract light along with an HE Tech co-extruded diffuse acrylic lens with integrated opaque white reflector.

## LED LIGHT SOURCE

Custom manufactured linear board array uses high performance Nichia® LED in combination with a performance driven heat sink technology. Tested in accordance with LM79 and LM-80; L70>60,000hr; operated at reduced output for high efficacy and lumen maintenance. 2700K, 3000K, 3500K, and 4000K with 80+ CRI standard; other color temperatures and 90+ CRI available upon request, contact factory. LED color variation maintained at a 3-step MacAdam ellipse (SDCM 3x). LEDs are available in Standard, and High outputs. Refer to photometry for delivered lumens. Custom output available.

## LED DIMMING DRIVER

Factory tuned constant current electronic 0-10V control dimming driver is standard. Specification grade dimming down to 1%. Driver life of 50,000 hrs with ambient operating temperature range of -20°C to 50°C, maximum case temperature of 80°C. Electrical specifications at maximum driver load: PF >0.9, THD <20%, >85% Efficiency. Other specialty drivers available, contact factory.

## EMERGENCY

This luminaire can be provided with a factory installed LED emergency lighting battery pack for both normal and emergency operation, 120-277v only. This fixture integrated unit contains long-life Ni- Cad recyclable battery, 24 hour charger, and converter circuit. Test switch and charge indicator provided. Test button to be remote located within 3 feet of the luminaire, in accordance with local code. Emergency mode provides constant power to a nominal 12W LED load for a period of 90 minutes, delivering 1200 lumens of unwavering illumination throughout the full 90 minute emergency duration. Unless otherwise specified, the emergency battery pack will illuminate one 2 foot end in the direct portion of the fixture. Not available in fixtures <4ft'.

Emergency circuiting provided as a separate circuit from normal power circuit according to NEC requirements, specify circuit length and location.

## nLIGHT®

Integrated nLight® for networking wireless :

The integrated API smart sensor is part of each luminaire in the nLight® AIR network, which can be grouped to control multiple luminaires. The granularity of control with the digital PIR occupancy detection and daylight sensing makes a great solution for any application. Optionally you can order nLight® AIR sensors for compatibility with an nLight Air wireless system. The rIO model are available for integration

nLight enabled, remote mounted controls provided by others. Please contact an Acuity controls representative for more information.

## MOUNTING

Suspension with catenary system or pendant stems mounting available.

Catenary system set includes brackets to mount fixture directly to catenary cable. Black power cord provided for all other fixture finishes unless otherwise specified.

Rigid pendant stem-set includes 3/4" hollow threaded rod for suspension and power feed. Standard specification length 36", 6" minimum. 5" round mono point canopies that matches the fixture finish.

Swivel stem set includes 3/4" hollow threaded rod for suspension and power feed, standard specification length 36", 6" minimum. 5" round mono point canopies that matches the fixture finish 45-degree angle swivel stem.

Specify if another suspension length is required. Canopies provided as required for the quantity of power feed and non-power feed locations (crossbar included). Specify if another shape, size, or color is required.

## MOUNTING CONTD.

Wall mounting is ADA compliant. The top groove of the fixture is used to mount the fixture and provides a firm and flexible mounting option.

Surface ceiling is offered with die-cast mounting blocks with sheet metal brackets used to provide a firm flexible mounting option in any orientation the system might be installed in. Surface ceiling is ADA compliant when mounting on walls.

Channel mount is offered with similar hardware than regular surface ceiling but the brackets are altered so fixtures can be removed in tight, enclosed spaces where side access to the fixture is not available. Channel mount is also ADA compliant.

Mullion blocks are used to mount fixtures to a horizontal or vertical window mullion and can also be used to offset fixtures from the wall. ½" and 1" offsets are available standard. Custom offsets are also available upon request. (2) Mullion blocks are provided for fixtures less than 7ft. Fixtures longer than 7ft are provided with (3) blocks. The maximum distance between (2) mounting blocks is 7ft. Power feed holes are pre-drilled and mounting hardware is pre-installed at the factory to the fixture housing.

Aircraft cable uses wire valves to suspend fixture from ceiling. Wire valves are not rated for outdoor usage. Consult factory or structural engineer to validate if aircraft cable suspension is suitable for your location. Black power cord provided for black and titanium finish, white power cord provided for all other fixture finishes unless otherwise specified. 5" square white mono point canopies provided.

## STRUCTURE

Robust, high quality 60% recycled aluminum extruded housing. 0.040" thick aluminum internal gear trays. Flat aluminum end caps. Aluminum joiner brackets. 2 lbs/ft approximate fixture weight.

## FINISH

Electrostatically applied powder coat finish. Standard finish options include titanium, white, and black. Other colors and custom finish options available, specify RAL# or contact factory regarding custom finish requirement.

## LISTING

Product is compliant and certified to CSA C22.2 No. 250.0 and UL 1598. Wet location as per the applicable standards. IP66 test report available upon request.

The Lino 1 and Lino 3 are assembled in the U.S.A. and comply with the Buy America(n) Act (BAA) government procurement requirements under FAR, DFARS, and DOT.

## WARRANTY

Limited defect-free manufactured equipment warranty provided under normal use and proper storage for five (5) year. LED products (LED boards and drivers) will be covered for five (5) years. Please refer to the full terms and conditions on our website.