

Date:	
Project Name:	
SKU #:	

LUNAR™
Architectural Round



MOUNTING OPTIONS



Cable Mount
[CM10, CM12,
CM15]



Pendant Mount
(Option)
[PM]



Surface Mount
(Option)
[SM]

FINISHES

Standard



Matte Black Matte White Titanium Silver

Custom*



Wood Tangerine Orange Ruby Red Emerald Green Lemon Yellow

NOTE: Any Custom Color Available*

APPLICATIONS

Commercial, Retail, Office, Public Spaces

FEATURES

Construction

- Extruded Aluminum Shallow Housing
- Powder Coating Finish
- Cable Mount:
Black or Transparent Power Cord

Finish

- Matte Black
- Matte White
- Wood*
- Titanium Silver*
- Tangerine Orange*
- Ruby Red*
- Emerald Green*
- Lemon Yellow*
- Custom*

Electrical & Technical

- Input Voltage: 120-277V
[Philips Advanced Xitanium LED Driver Auto Sensing Input]
- Input Frequency: 50/60Hz
- Projected Life: L70 > 50,000 hrs
- PF: >0.9
- CRI: >90
- THD: <20%
- CCT: *2700K, 3000K, 3500K, 4000K, *5000K
- 3-Step SDCM MacAdam Ellipse
- Operating Temp.: -4°F ~ 104°F
- IP Rating: IP20
- 15W Emergency Inverter Option [Field Install]
- 10W Bodine Inverter Option [Field Install]

Optical

- Regressed Prismatic Lens
0.118" Acrylic
- Choice of Direct or Indirect
Output: 80% Direct Light &
20% Indirect Uplight

Installation/Mounting

- Cable Mount
 - Available Lengths:
10' [Standard], 12', 15'
- Surface Mount [Option]
- Pendant Mount [Option]

Controls

- 0-10V Dimming [Single Circuit: Standard]
- 0-10V Dimming [Two Circuit: Option]
- 1-10V Dimming [Single Circuit 1% Dimming: Option]*
- 1-10V Dimming [Two Circuit 1% Dimming: Option]*
- Lutron Vive PowPak [0-10V Dimming][Option][Factory Install]

Lumen Output

- 30W: 3,000lm
- 40W: 4,000lm
- 60W: 6,000lm
- 80W: 8,000lm
- 100W: 10,000lm
- 120W: 12,000lm

Warranty

- 5 Year Warranty
- See warranty documentation
for more information.

Custom Lumen Output Available*



ORDERING INFORMATION

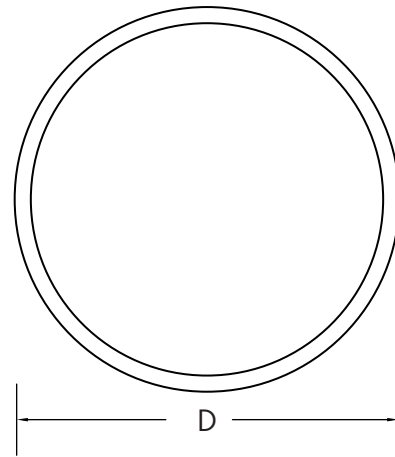
EXAMPLE: LUNA-18-30W-30K-U-D1-B-CM010-D

Series	Size	Wattage	CCT	Input Voltage	Control	Finish	Mounting Option	Uplight Option
LUNA	18 - 18"	30W 40W	27K - 2700K*	U - 120-277V	D1 - 0-10V Dimming Single Circuit (Standard) D2 - 0-10V Dimming Two Circuit D3 - 1-10V Dimming Single Circuit (1% Dimming) D4 - 1-10V Dimming Two Circuit (1% Dimming)	STANDARD B - Matte Black W - Matte White S - Titanium Silver CUSTOM* T - Wood O - Tangerine Orange R - Ruby Red G - Emerald Green Y - Lemon Yellow C - Custom	CM10 - 10' Cable Mount CM12 - 12' Cable Mount CM15 - 15' Cable Mount SM - Surface Mount PM - Pendant Mount	D - Direct Illumination U - Uplight Illumination (20% of System Lumens)
	24 - 24"	40W 60W	30K - 3000K 35K - 3500K 40K - 4000K 50K - 5000K*					
	30 - 30"	60W 80W						
	36 - 36"	80W 100W						
	48 - 48"	100W 120W						
Accessories								
ELIS10CDF (Bodine Inverter 10W) TGS-15W-INT (Emergency Inverter 15W) FCJS0 (Lutron Vive Powpak)								

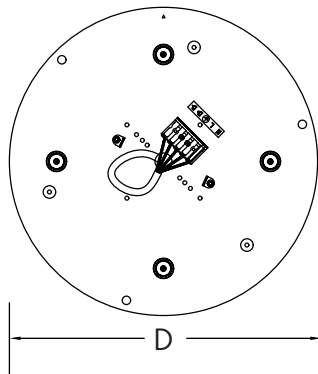
DIMENSIONS



Size	Height (H)	Diameter (D)	Weight
LUNA-18	4.50"	ø17.1"	14 lb.
LUNA-24	4.50"	ø23.0"	15 lb.
LUNA-30	4.50"	ø29.0"	27 lb.
LUNA-36	4.50"	ø34.3"	29 lb.
LUNA-48	4.50"	ø45.3"	45 lb.

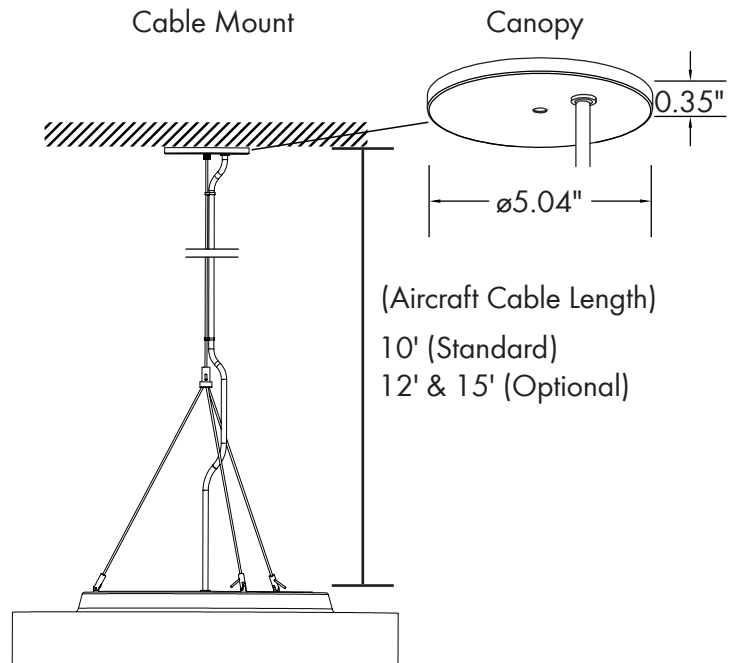


Surface Mount Plate



Size	Height	Diameter (D)
LUNA-18	0.05"	ø10.83"
LUNA-24	0.05"	ø14.17"
LUNA-30	0.05"	ø14.17"
LUNA-36	0.05"	ø14.17"
LUNA-48	0.05"	ø14.17"

Cable Mount



LUMEN OUTPUT

SKU	Wattage (W)	Delivered Lumens (lm)	Efficacy (lm/W)
LUNA-18-30W-40K-U-D1	30	3000	100
LUNA-18-30W-40K-U-D1	40	4000	100
LUNA-24-40W-40K-U-D1	40	4000	100
LUNA-24-60W-40K-U-D1	60	6000	100
LUNA-30-60W-40K-U-D1	60	6000	100
LUNA-30-80W-40K-U-D1	80	8000	100
LUNA-36-80W-40K-U-D1	80	8000	100
LUNA-36-100W-40K-U-D1	100	10000	100
LUNA-48-100W-40K-U-D1	100	10000	100
LUNA-48-120W-40K-U-D1	120	12000	100

ACCESSORIES



Bodine Inverter 10W
(Option)
(Installed Remotely)
(Works up to 100W)
[ELIS10CDF]



Emergency Inverter 15W
(Option)
[TGS-15W-INT]



Lutron Vive
PowPak
[Factory Installed]
(Option)
[FCJS0]