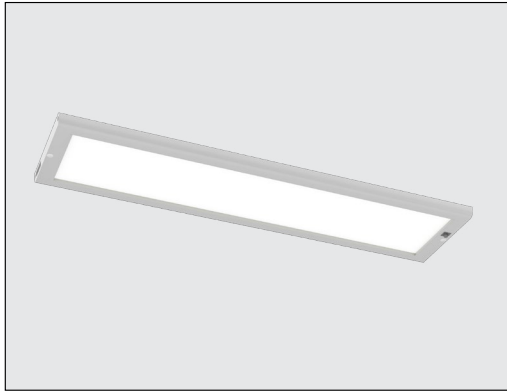


# UNDERCABINET | SURFACE



Stand alone unit shown.

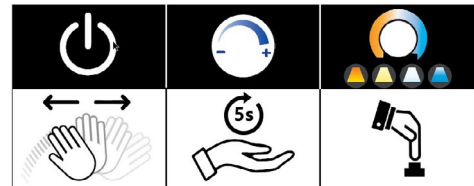


Project \_\_\_\_\_

Type \_\_\_\_\_

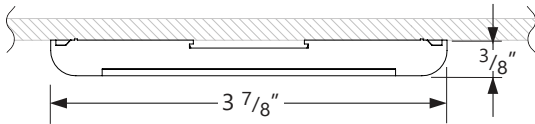
Notes \_\_\_\_\_

- Ultrathin 3/8" profile in 6 lengths: 10", 16", 23", 30", 36", and 42"
- Switch adjustable CCT : 2700K, 3000K, 3500K, 4000K
- Touchless ON/OFF rocker switch and dimming for runs
- ON/OFF rocker switch on each individual unit
- Linking connectors in 6", 12", and 24" lengths
- Damp location rated
- Wireless remote control option with PIR vacancy sensor



### For touch-free On-Off and Dimming:

- Wave hand under sensor to turn the luminaire On-Off
- Hold hand steady under sensor (within 3" from sensor) to dim. Dim cycle is 15 seconds. When desired level of brightness is reached, move hand away from sensor



**\*See ordering code example on page 2**



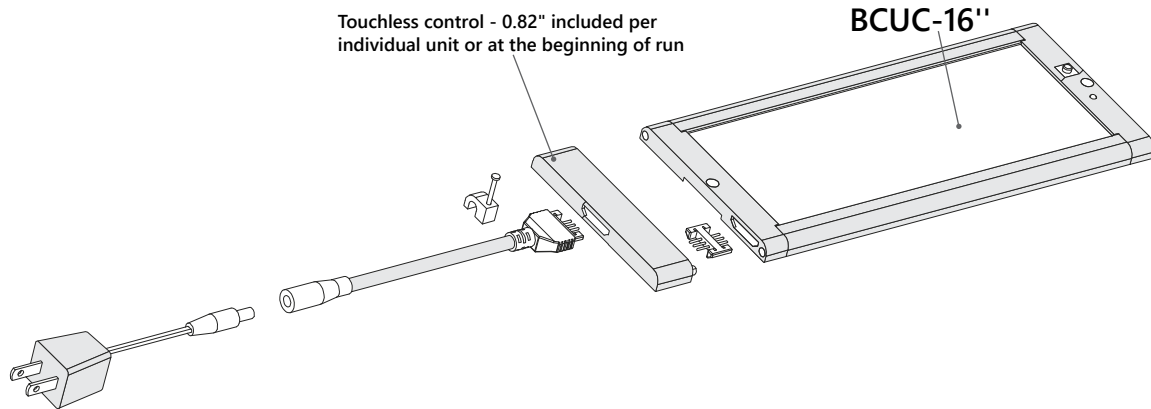
## Ordering Guide

BCUC						90					
PRODUCT ID	CONFIGURATION	LENGTH *		CRI		FINISH		MOUNTING			
<b>BCUC</b>	Undercabinet	<b>STA</b>	stand alone	<b>10(#)</b>	10" (QTY)	<b>90</b>	90 CRI	<b>W</b>	white	<b>SS</b>	Surface Mount
		<b>RUN</b>	system run	<b>16(#)</b>	16" (QTY)			<b>BLK</b>	black		
				<b>23(#)</b>	23" (QTY)						
				<b>30(#)</b>	30" (QTY)						
				<b>36(#)</b>	36" (QTY)						
				<b>42(#)</b>	42" (QTY)						
		* Multiple choice lengths option available with Run mounting category. 24W remote wall plug supporting Max 42" total run length. 100W remote enclosure supporting Max 126" total run length. Nominal dimension. Allow space for touchless control unit per individual unit or at end of run (see p.2 configurations).									

VOLTAGE		DRIVER		CONTROLS		ACCESSORIES (OPT.)			
<b>120</b>	120 V	<b>24W</b>	24 W wall plug*	<b>TCU</b>	touchless control	<b>CDP(L)</b>	cord & plug* (!)		
<b>277</b>	277 V	<b>RDE10(L)</b>	remote driver enclosure 10" (!)	<b>WCU</b>	wireless control receiver*	<b>+LNK6(#)</b>	joinder linking connector*		
<b>UNV</b>	universal					<b>+LNK6(#)</b>	linking connector, 6" *		
						<b>+LNK12(#)</b>	linking connector 12" *		
						<b>+LNK24(#)</b>	linking connector 24" *		
						<b>+USB</b>	USB charging port (5V, 1A max)		
Consult factory for other voltage.		* Max 42" total run length. Available with 120V only. (!) Specify power cord length; standard lengths 20", 39", 59", 119" (consult factory for other lengths and lead time). Max 126" total run length per RDE (100W driver).		* <a href="#">Bluetooth wall plate ordered separately</a> . With either touch control for CCT and Intensity, or PIR vacancy sensor option.		(!) Available cord lengths are 2ft, 4ft, 8ft and 15ft, please specify (Ex.: CDP(8)). Only available with RDE10. 10' power cord supplied if CDP not selected. * Connectors for system run mounting category. See page 2 for configuration examples.			

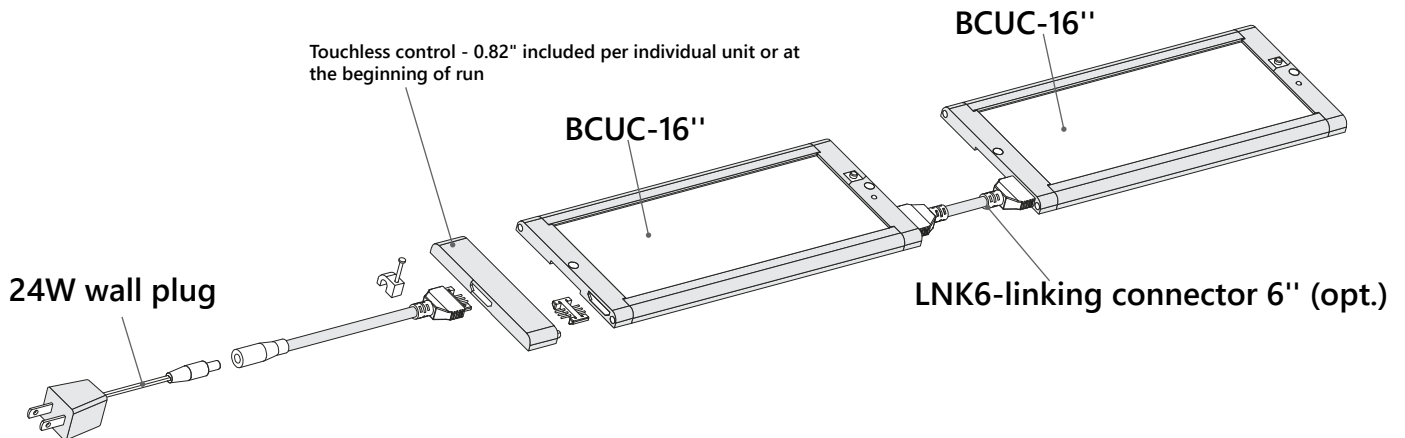
# UNDERCABINET | SURFACE

## ● SINGLE LUMINAIRE CONFIGURATION



Ordering example: BCUC-STA-16(1)-90-W-SS-120-24W

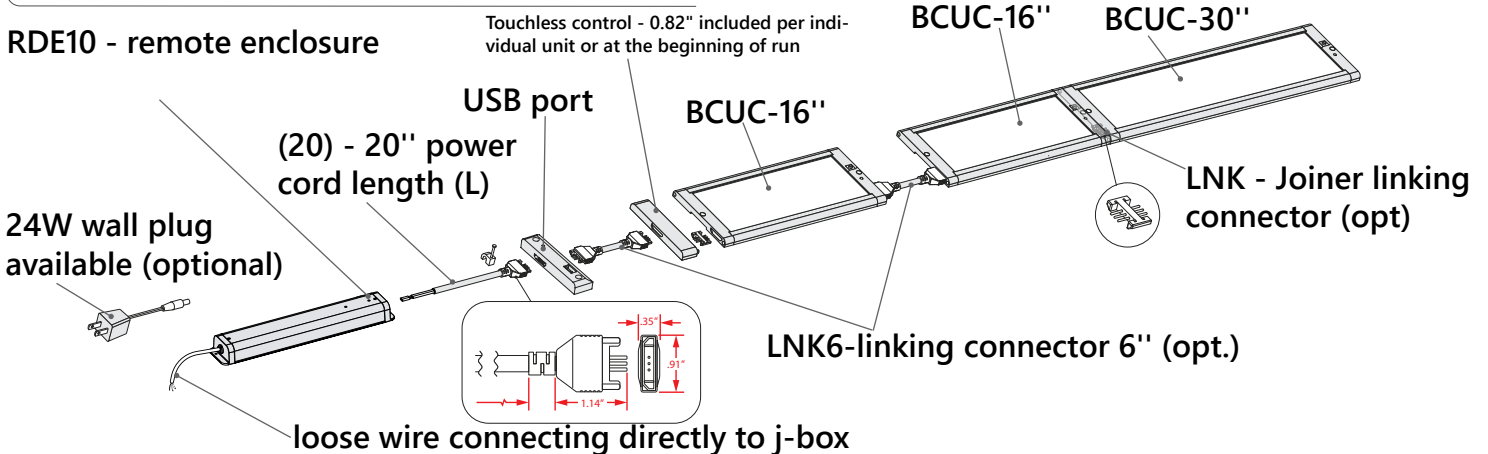
## ● SYSTEM RUN CONFIGURATION



Ordering example: BCUC-RUN-16(2)-90-W-SS-120-24W-TCU-LNK6(1) for system run shown with one 6" linking connector.

## ● SYSTEM RUN CONFIGURATION

RDE10 - remote enclosure



Ordering example: BCUC-RUN-16(2)+30(1)-90-W-120-RDE10(20)-TCU+LNK(1)+LNK6(2)+USB for system run shown with USB option, two 6" linking connectors and one joiner connector.

# UNDERCABINET | SURFACE

## ● CONSTRUCTION

<b>Housing</b>	Extruded aluminum
<b>End Cap</b>	ABS
<b>Light Guide</b>	PMMA
<b>Lens</b>	Diffused acrylic

## ● ELECTRICAL

**Power supply** 24V low voltage safe for all under cabinet units; 24W remote wall plug supporting maximum of 42" total system run length.

**Adjustability** Master control for switch selectable CCT and brightness for entire system run

**Input Voltage** 120V, 277V, UNV.

**i** Incorporating these components may have limitations or affect the length of the luminaire. Please contact factory for more details.

## ● CONTROLS

**Touchless dimming** Position hand beneath the ON/OFF touchless sensor, without moving, until dimming is activated and desired light level has been achieved. Adjustment from lowest brightness to highest brightness – and reverse – occurs over 5.5 seconds. At each end of the brightness range, the adjustment pauses 2 seconds.

**Wireless switch** Can be paired or unpaired with multiple receivers; e.g., single fixture, or a run of fixtures; multiple individual fixtures or multiple runs of fixtures. Includes PIR vacancy sensor option that can be enabled or disabled. Battery or Line Voltage operation options located on the switch to simplify installation.  
Caution: Do not place under direct light or direct sunlight.

## ● LED SYSTEM

<b>CRI</b>	Minimum 90 color rendering index
<b>CCT</b>	Choice of 2700K, 3000K, 3500K and 4000K
<b>LED life</b>	Minimum 50,000h with 70% of lumen maintenance in 25°C ambient temperature, in compliance with IES LM-70 testing measurements.
<b>Thermal management</b>	Aluminium housing acting as the heat sink to maximize life.

## ● LIGHT GUIDE

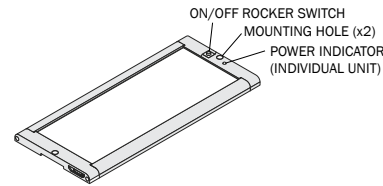
Precision light guide made of PMMA material allows distribution of controlled light. In plane mixing maximizes uniformity. White light emitting area is uniform and diffuse.

## ● WEIGHT

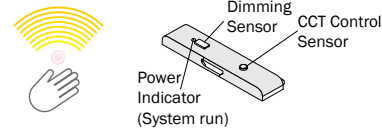
<b>Undercabinet 10"</b>	0.48 lbs / 0.22 kg
<b>Undercabinet 16"</b>	0.78 lbs / 0.35 kg
<b>Undercabinet 23"</b>	1.13 lbs / 0.51 kg
<b>Undercabinet 30"</b>	1.49 lbs / 0.68 kg
<b>Undercabinet 36"</b>	1.80 lbs / 0.82 kg
<b>Undercabinet 42"</b>	2.10 lbs / 0.95 kg

## ● FIXTURE AND ACCESSORIES

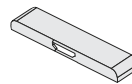
### Fixture



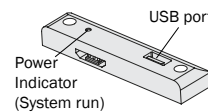
### Touchless control



### Wireless receiver



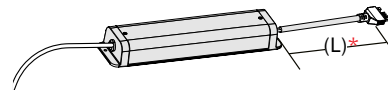
### USB port (USB)



### 120 V Adapter



### Standard Remote driver enclosure (RDE10(L)).



\* When ordering please specify power cord length. Standard lengths are 20", 39" and 59", other lengths available, please consult factory. (Ex.: RDE10(20), etc.)

### Interconnect cordset



## ● APPROVALS

Certified to UL and cUL standards Suitable for damp locations.

## ● WARRANTY

Limited 5-year warranty is available. Warranty is valid provided luminaires are installed and used according to specifications. For full terms and conditions, please consult warranty section at [axislighting.com](http://axislighting.com).

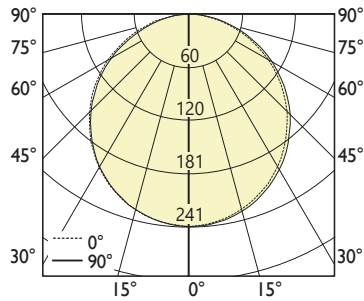
# UNDERCABINET | SURFACE

## ● PHOTOMETRIC DATA

### UNDERCABINET 3500K

BCUC-STA-23(1)-90-BLK-UNV

#### PHOTOMETRIC CURVE



**Luminaire Lumens: 689 lm**

**Input Watts: 8.2 W**

**Efficacy: 84 lm/W**

IES FILE: BCUC-STA-23(1)-90-BLK-UNV.ies

TESTED ACCORDING TO IES LM-79-2019

#### CANDELA DISTRIBUTION

Vertical Angle	Horizontal Angles				
	0	22.5	45	67.5	90
<b>0</b>	241	241	241	241	241
<b>5</b>	240	240	240	240	240
<b>15</b>	232	231	231	231	231
<b>25</b>	216	215	215	215	214
<b>35</b>	193	192	192	191	191
<b>45</b>	163	163	162	161	160
<b>55</b>	129	128	127	125	125
<b>65</b>	90	89	87	86	86
<b>75</b>	49	48	47	45	45
<b>85</b>	14	13	11	10	10
<b>90</b>	1	0	0	0	0

#### ZONAL LUMENS

Zone	Lumens
<b>0</b>	
<b>0-10</b>	23
<b>10-20</b>	65
<b>20-30</b>	99
<b>30-40</b>	119
<b>40-50</b>	124
<b>50-60</b>	112
<b>60-70</b>	85
<b>70-80</b>	48
<b>80-90</b>	13
<b>90</b>	0

#### LUMINANCE DATA (cd/m<sup>2</sup>)

Vertical Angle	Horizontal Angles		
	0	45	90
<b>45</b>	4313	4278	4240
<b>55</b>	4186	4130	4073
<b>65</b>	3958	3859	3780
<b>75</b>	3554	3366	3230
<b>85</b>	2920	2440	2137

**i** All IES files are available for download at: [www.axislighting.com](http://www.axislighting.com)