

# BLOCK

LIT - DIFFUSE

# BLK-L-DF

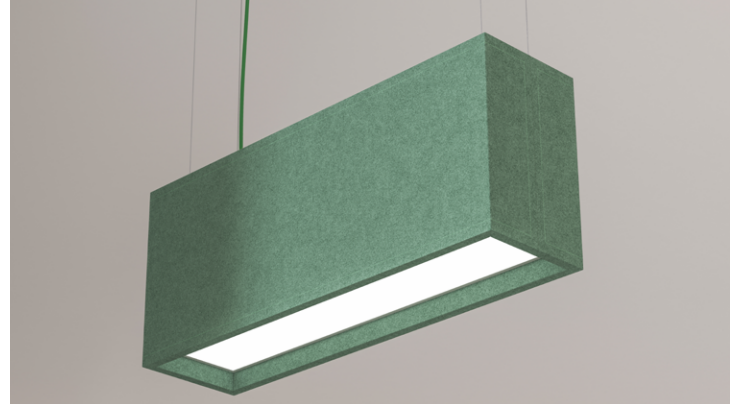
DATE	PROJECT	CATALOG #	FIXTURE TYPE
------	---------	-----------	--------------

## OVERVIEW

BLOCK can do it all. The lightweight structure is crafted entirely from recycled PET acoustic material, utilizing custom cuts and folds meticulously engineered by Sabin. This design ensures full recyclability at the product's end of life. With a production and shipping time as quick as two weeks, BLOCK, both lit and unlit, is a great choice for arrays and cloud configurations within any project constraint.

## QUICK FACTS

- Direct, indirect, or bidirectional light output
- Available in 2700 / 3000 / 3500 / 4000 CCT at 90+ Color Rendering Index (CRI)
- Length/width in preset dimensions ranging from 13 x 13 IN to 48 x 24 IN
- Custom heights between 8 - 36 IN
- Optional integration of motion sensors, Wi-Fi, and/or speakers
- Quick ship in 2 weeks
- NRC rating of .85+



## SPECIFICATIONS

SERIES	LENGTH/WIDTH <sup>1</sup>	HEIGHT <sup>1</sup>	DIRECT OUTPUT/SIZE							
BLK-L-DF	13" X 13" (321 MM X 321 MM) 24" X 13" (621 MM X 321 MM) 48" X 13" (1231 MM X 321 MM) 24" X 24" (621 MM X 621 MM) 48" X 24" (1231 MM X 621 MM)	12" (300 MM) 24" (600 MM) 30" (750 MM) 36" (925 MM) CH ___ <sup>2</sup>	DLP	DMP	DHP	13" X 13" 1000 LM 1500 LM 2000 LM	13" X 24" 2000 LM 2250 LM 2500 LM	24" X 24" 3000 LM 4000 LM 5000 LM	13" X 48" 3000 LM 4000 LM 5000 LM	24" X 48" 4000 LM 5000 LM 6000 LM
INDIRECT OUTPUT <sup>3,4</sup>		CRI/CCT	CIRCUIT	CONTROL	VOLTAGE	FELT COLOR (9 MM)				
INA NO OUTPUT I750 750 LM I1000 1000 LM I1500 1500 LM I3000 3000 LM CIO___ CUSTOM OUTPUT <sup>5</sup>	927K 930K 935K 940K	SC SINGLE CIRCUIT DC DUAL CIRCUIT (SHARED DIMMING)	10 0-10V	UNV 120/277V	9___ REPLACE "___" WITH DESIRED COLOR CODE FROM SWITCHES					
CORD COLOR <sup>6</sup>	SUSPENSION TYPE	CEILING TYPE	CANOPY <sup>9</sup>		FACTORY OPTIONS <sup>10</sup>					
PC___ REPLACE "___" WITH DESIRED COLOR CODE FROM SWITCHES	AC___ 60" AIRCRAFT CABLE + (COLOR CODE) <sup>7</sup> ST___ 60" STRAP + (COLOR CODE) <sup>7</sup> TRD 3/8" THREADED ROD DT DIRECT TO	HC HARD CEILING <sup>8</sup> ST STRUT SG STANDARD GRID TG TEGULAR GRID	RWH ROUND WHITE RBK ROUND BLACK SWH SQUARE WHITE SBK SQUARE BLACK	CSL___ CUSTOM SUSPENSION LENGTH 24" - 120" <sup>11</sup> EM EMERGENCY BATTERY CT___ CUSTOM THREAD + (COLOR CODE) <sup>7</sup> 2CP INCLUDE 2" CANOPIES FLT SHIP FLAT <sup>12</sup> CF CENTER FEED BABA BABA REQUIRED ATC INCLUDE ATRIUM COVER <sup>13</sup>						

1 IMPERIAL DIMENSIONS ARE NOMINAL. ACTUAL DIMENSIONS ARE METRIC.  
2 CUSTOM HEIGHTS AVAILABLE BETWEEN 8" - 36" (200 - 925MM).  
3 ONLY AVAILABLE IN LAMBERTIAN DISTRIBUTION.  
4 MINIMUM HEIGHT OF 19" (475 MM) FOR INDIRECT OUTPUT.  
5 CONSULT FACTORY.  
6 POWER CABLE IS 18" LONGER THAN SUSPENSION LENGTH. CONSULT FACTORY FOR LONGER LENGTHS.  
7 REPLACE "\_\_\_" WITH DESIRED COLOR CODE FROM SWITCHES.  
8 NOT AVAILABLE IN DIRECT TO SUSPENSION TYPE.  
9 5" (127MM) CANOPY PROVIDED FOR FEED. 2" (50.8MM) CANOPY FOR NON-FEED PROVIDED UPON REQUEST.  
10 LEAVE BLANK IF NOT APPLICABLE. STRING TOGETHER MULTIPLE SELECTIONS.  
11 REPLACE "\_\_\_" WITH LENGTH OF DESIRED SUSPENSION.  
12 BY DEFAULT, FIXTURES WILL SHIP ASSEMBLED - SHIPPING FLAT WILL REDUCE SHIPPING VOLUME.  
13 OPTIONAL ATRIUM COVER CAN BE INCLUDED IF FIXTURES WILL BE VISIBLE FROM ABOVE.

EXAMPLE CATALOG #: BLK-L-DF-13(321)-13(321)-30(750)-DHP-930K-SC-10-UNV-9JD-PCWH-ACBLK-HC-RWH-2CP-ATC

# SABIN

© 2024 SABIN LLC. ALL RIGHTS RESERVED.  
CUSTOMIZE AT SABIN.BUILD  
DATE REVISED 08.08.2025



# COLOR SWATCHES

# BLK-L-DF

DATE	PROJECT	CATALOG #	FIXTURE TYPE
------	---------	-----------	--------------

## FELT



## POWER CORD



## SUSPENSION STRAP



## THREAD



## AIRCRAFT CABLE

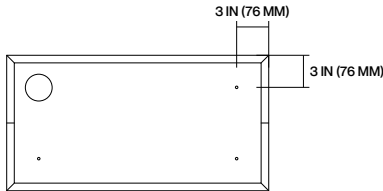


# DIMENSIONS

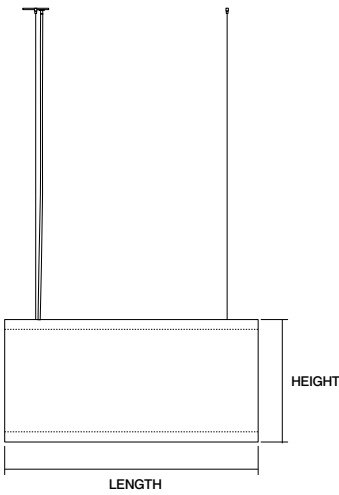
# BLK-L-DF

DATE	PROJECT	CATALOG #	FIXTURE TYPE
------	---------	-----------	--------------

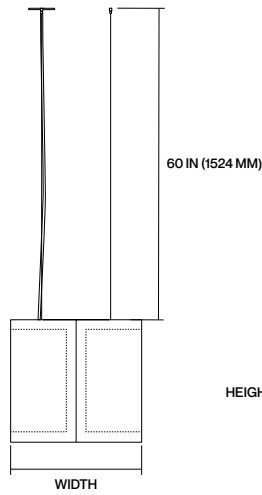
TOP



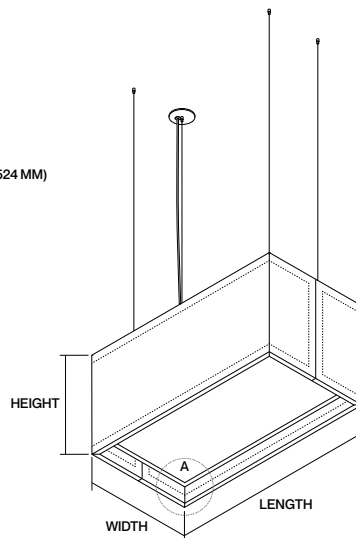
FRONT



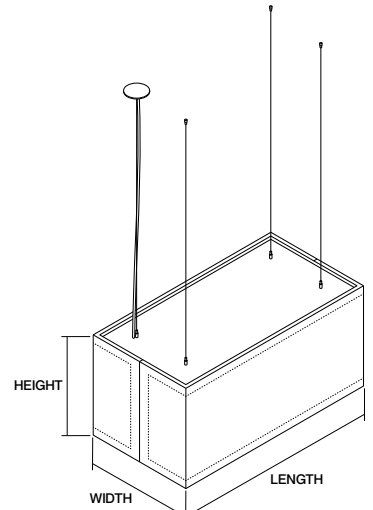
SIDE



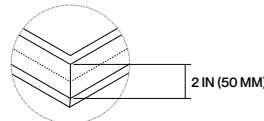
BOTTOM ISO



TOP ISO



BOTTOM



DETAIL A  
LIGHT PANEL REGRESSED INTO FIXTURE

- 1 IMPERIAL DIMENSIONS ARE NOMINAL. ACTUAL DIMENSIONS ARE METRIC.
- 2 ALL STANDARD DIMENSIONS ARE ECO-CONSCIOUS, MAXIMIZING MATERIAL USE AND MINIMIZING WASTE. CUSTOM DIMENSIONS RESULT IN EXCESS MATERIAL WASTE.
- 3 PLEASE CONSULT THE FACTORY FOR WEIGHTS SPECIFIC TO CONFIGURATION.

# ACOUSTIC PERFORMANCE

# BLK-L-DF

## TECHNICAL DATA

DATE	PROJECT	CATALOG #	FIXTURE TYPE
------	---------	-----------	--------------

## BLOCK

ALL SABIN PRODUCTS ARE SUBJECT TO ACOUSTIC TESTING. PERFORMANCE VALUES WILL VARY BASED ON INSTALLATION FACTORS SUCH AS DENSITY AND MOUNTING HEIGHT.

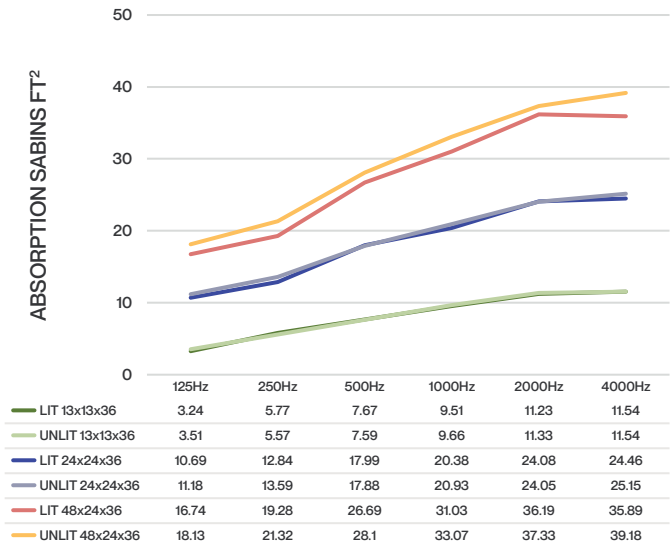
**SABINS** A SABIN IS A UNIT OF SOUND ABSORPTION DEFINED AS THE AMOUNT OF SOUND ABSORBED BY ONE SQUARE FOOT OF A PERFECT ABSORBER. IT WAS INITIALLY CONCEIVED AS THE EQUIVALENT OF 1 SQUARE FOOT OF OPEN WINDOW, REFLECTING NO SOUND BACK INTO THE INTERIOR. SABINS ARE USED TO EXPRESS THE TOTAL EFFECTIVE ABSORPTION FOR THE INTERIOR OF A ROOM. THIS CHART INDICATES AVERAGE SABINS PER UNIT AT THE NOTED FREQUENCIES WHICH REPRESENT THE TYPICAL RANGE OF HUMAN SPEECH OF 200-2500 HZ.

**NRC** NOISE REDUCTION COEFFICIENT (NRC) IS A SINGLE NUMBER VALUE RANGING FROM 0.0 TO 1.0 THAT DESCRIBES THE AVERAGE SOUND ABSORPTION PERFORMANCE OF A MATERIAL. AN NRC OF 0.0 INDICATES THE OBJECT DOES NOT ABSORB MID-FREQUENCY SOUND ENERGY, BUT REFLECTS IT. AN NRC OF 1.0 INDICATES THAT THE SOUND ABSORPTION PERFORMANCE OF THE MATERIAL IS EQUAL TO ITS SURFACE AREA (MEASURED IN UNITS SABIN), OR CONCEPTUALLY 100% SOUND ABSORPTION.

PROJECTED NRC = .95

TOTAL SOUND ABSORPTION WILL VARY BASED ON DESIGNED PRODUCT CONFIGURATION. SABIN TESTS ALL PRODUCTS IN MULTIPLE CONFIGURATIONS. PLEASE CONTACT SABIN OR YOUR LOCAL AGENT FOR MORE INFORMATION.

**BLOCK**  
ACOUSTIC PERFORMANCE



# LIGHTING PERFORMANCE

# BLK-L-DF

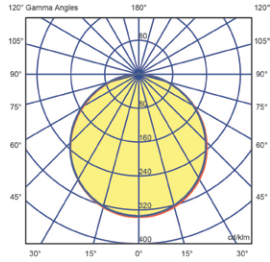
## TECHNICAL DATA

DATE	PROJECT	CATALOG #	FIXTURE TYPE
------	---------	-----------	--------------

## BLOCK

LIT - DIFFUSE

### PHOTOMETRIC PLOTS



SIZES ALL  
 WATTAGE 29.6 W  
 LUMENS 3711.6 LM

### DELIVERED LUMENS AND ENERGY USE

SIZE	OUTPUT (LUMENS)	DELIVERED (LUMENS)	ENERGY (WATTS)	EFFICACY (LPW)
13" X 13" (321 MM X 321 MM)	1000	1047	9.5	110.6
	1500	1515	14.2	107.0
	2000	1955	19.4	100.8
24" X 13" (621 MM X 321 MM)	2000	1971	18.1	109.0
	2250	2263	21.2	106.8
	2500	2632	25.4	103.8
48" X 13" (1231 MM X 321 MM)	3000	3340	24.8	134.6
	4000	3881	29.2	132.8
	5000	5055	39.7	127.2
24" X 24" (621 MM X 621 MM)	3000	3343	24.7	135.1
	4000	3862	29.0	133.0
	5000	5065	39.8	127.2
48" X 24" (1231 MM X 621 MM)	4000	3917	27.9	140.3
	5000	5213	38.5	135.4
	6000	6182	47.1	131.3

\*Based on 3500k, ≥90CRI. Lumen output and wattage may vary +/-5%.

### CCT MULTIPLIER

CCT	3000K		3500K		4000K		5000K	
CRI	80	90	80	90	80	90	80	90
MULTIPLIER	0.95	0.855	0.975	0.878	1	0.9	1.21	1.09

# SABIN

© 2024 SABIN LLC. ALL RIGHTS RESERVED.  
 CUSTOMIZE AT SABIN.BUILD  
 DATE REVISED 08.08.2025



DATE	PROJECT	CATALOG #	FIXTURE TYPE
------	---------	-----------	--------------

## ACOUSTIC MATERIAL

Our PET (polyester) felt panels contain minimum 60% post-consumer recycled polyester staple fiber. It is moisture resistant, fire rated, recyclable, and an outstanding absorber of acoustic energy.

- Fire retardant: ASTM E84 Class A, EN13501 Class B
- Construction: 100% polyester fiber (PET)
- Material certifications: OEKO-TEX® Standard 100, SCS Recycled Content, and Declare

## CARE

Acoustic PET felt: Remove dust with compressed air, a vacuum or lint roller. Aluminum & polymer components: Remove dust and debris with a clean, dry, lint-free cloth.

## CERTIFICATES/LISTING

This product is ETL listed and tested to meet UL standards for lit configurations. It complies with NEC and ANSI/NFPA 70 requirements, is RoHS compliant, and rated IP20 for use in dry, indoor locations only. 90 CRI configurations also meet Title 24 JA8-2016 requirements. Additionally, this product is GREENGUARD Gold certified and holds Declare, OEKO-TEX® Standard 100, and SCS Recycled Content certifications.

## CONSTRUCTION

Acoustic luminaire comprised of ≥ 60% recycled PET material utilizing sewn construction to maximize strength, durability, and sound absorbency.

## DIMMING (LIT ONLY)

Standard 120-277V constant current driver includes 0-10V analog dimming to 1%. Options for Lutron EcoSystem at 120/277V, TRIAC/ELV DALI, DMX, and Warm Dim available on select products. Consult factory.

## ELECTRICAL (LIT ONLY)

High quality Class P isolated power supply with universal (120-277VAC) and 347V input voltage. Meets UL operation rating dry & damp (IP40) max 185°F (85°C) for 50,000 hour life. Luminaries are pre-wired with factory installed branch circuit wiring.

Power Factor:

- 0.95 @ 120VAC
- 0.90 @ 277VAC
- 0.90 @ 347VAC

For fixtures specified with an emergency battery/driver: 6W-20W integral battery (output dependent) with self-testing/metal test switch/indicator light (bi-color). Up to 15% of total lumen output for a minimum of 90 minutes. Listed to UL924 and tested to CSA 22.2 No.141 Field or Factory Installation (Indoor and Damp). Output Class 2 Compliant. Input CEC Title 20 Compliant.

## ESTIMATED LIFETIME (LIT ONLY)

L70 = >60,000 Hours. Luminous flux maintenance life L70(9k) based on IES TM-28-147 9000-hour test at Ta= 45°C.

CONSULT FACTORY FOR SPECIFIC PRODUCT CONFIGURATIONS.

# SABIN

© 2024 SABIN LLC. ALL RIGHTS RESERVED.  
CUSTOMIZE AT SABIN.BUILD  
DATE REVISED 08.08.2025

## LED LIGHT ENGINE (LIT ONLY)

Light module incorporates premium LEDs with heat sink to maximum lifetime. Available in 2700K, 3000K, 3500K or 4000K CCT with ≥90 CRI. Color accuracy = minimum 2.2x SDCM @ 3000K ±66K ΔLUV +0.0004 Standard deviation color matching (SDCM) based on ANSI standard C78.377A indicating the visible variance in correlated color temperature, also referred to as “MacAdam ellipse.”

## MOUNTING

Suspended by various methods including 1/16” aircraft cable, straps, grid clips or 3/8” threaded rod (adapters provided, threaded rod by others). Aircraft cable is available in precut lengths of 60” (1524 MM) or custom length from 24” (600 MM) to 120” (3048 MM). For lit units, fabric-covered power cord is provided along with a 5” (127 MM) feed canopy.

## OPTICS (LIT ONLY)

Injection molded, cut or extruded acrylic lens designed for efficient and homogeneous light distribution with superior color over angle performance. Beam control available on select configurations down to 15° and up to +90°. Optics are field changeable.

## WARRANTY

Fixture rated for operation in conditioned environments up to 77°F (25°C). Fixture is warranted to be free from defects and/or failure under normal use and proper storage for five (5) years from date of shipment.



## Declare.

**PET Acoustic Felt**  
Sabin LLC

Final Assembly: Chicago, Illinois, USA  
Life Expectancy: 30 Year(s)  
End of Life Options: Salvageable/Reusable in its Entirety,  
Recyclable (100%)

**Ingredients:**

Polyethylene Terephthalate: Polyethylene Terephthalate;  
Octadecanamide, N,N'-1,2-ethanediybis-: Octadecanamide,  
N,N'-1,2-ethanediybis-; Stearic Acid: Stearic Acid;  
Benzenepropanoic acid, 3,5-bis(1,1-dimethylethyl)-4-hydroxy-,  
octadecyl ester: Benzenepropanoic acid, 3,5-bis(1,1-  
dimethylethyl)-4-hydroxy-, octadecyl ester; Benzenamine, 4-(1-  
methyl-1-phenylethyl)-N-[4-(1-methyl-1-phenylethyl)phenyl]-:  
Benzenamine, 4-(1-methyl-1-phenylethyl)-N-[4-(1-methyl-1-  
phenylethyl)phenyl]; Titanium dioxide: Titanium dioxide

**Living Building Challenge Criteria:** Compliant

**I-13 Red List:**

- LBC Red List Free % Disclosed: 100% at 100ppm
- LBC Red List Approved VOC Content: Not Applicable
- Declared

**I-10 Interior Performance:** Not Applicable  
**I-14 Responsible Sourcing:** Not Applicable

SAB-0001  
EXP. 01 JUN 2025  
Original Issue Date: 2023

MANUFACTURER RESPONSIBLE FOR LABEL ACCURACY  
INTERNATIONAL LIVING FUTURE INSTITUTE™ [living-future.org/declare](http://living-future.org/declare)

