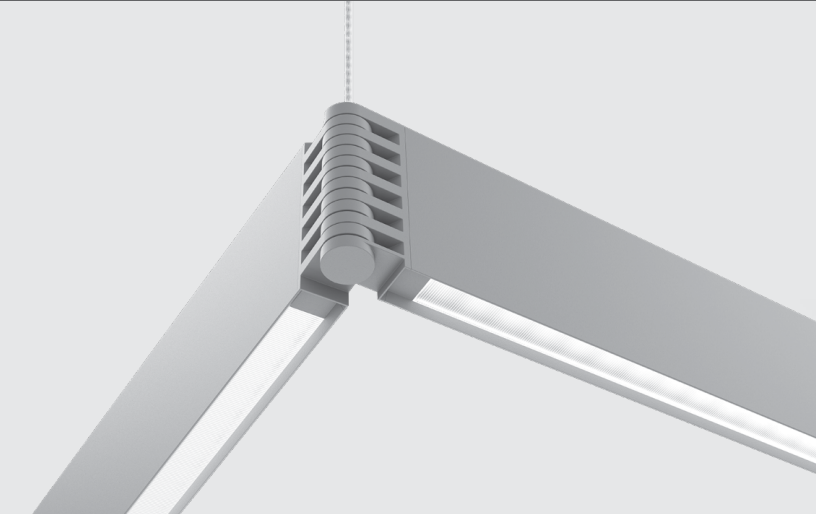


SPECIFICATION DATA
LINES SUSPENDED (LN1P)
 PREDEFINED SHAPES + ROWS

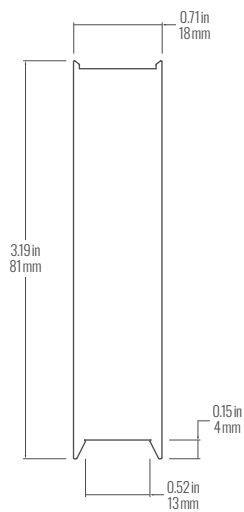


CATALOG #

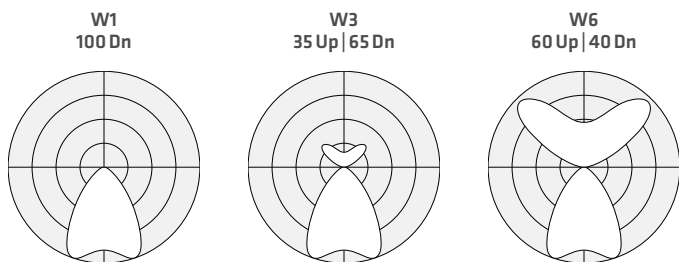
PROJECT

NOTES

CROSS SECTION



DISTRIBUTIONS



PERFORMANCE FOCUS

35 Up | 65 Dn, 80 CRI 4000 K (LN1-W3840)

	Energy (W/4ft)	Light (lm/4ft)	Efficacy (lm/W)
A (100 Dn)	9.5 W	1100	119
B	12 W	1500	126
C	15 W	1900	130
D	18 W	2400	133
E	22 W	2950	134
F	27 W	3600	135
Color Matching (SDCM)	Lumen Maintenance (hr)		
< 2	L90 per TM21	L80 per TM21	
	> 60,000	> 102,000	

Nominal values, refer to back pages for full performance data.

FEATURES

- Ultra slim (0.7") linear suspended luminaire with a form factor matching Portal, Hyphen and Profile families.
- 2, 3 and 4-way articulating pivots and wall mounts permit an endless variety of suspended patterns.
- Continuous rows can be built from 5 linear modules and 3 endcap styles in black, silver or white powdercoat finish.
- Narrow gauge 1/8" integrated power and suspension cord.
- Positioned to facilitate intricate shapes and tighter spacing within budget.
- Advanced optics deliver comfortable direct illumination from a narrow 0.5" aperture and an indirect batwing light distribution, for an exceptional lit environment.
- Row spacing up to 10' o.c., delivering 40 fc at less than 0.35 W/ft².



SPECIFICATION DATA
LINES SUSPENDED (LN1P)
 PREDEFINED SHAPES + ROWS

ORDER GUIDE (1 OF 2)

1	2	3	4	5	6	7	8	9	10	11	12	OPTIONS	CONTROLS
LN1	P												

See following pages for geometry details.

1	FAMILY	2	CONFIGURATION	3	LAYOUT	4	CEILING	5	SUSPENSION
LN1	Lines Suspended	P	Predefined Shape e.g. Straight, Open n-side, Closed polygon, Spoke	#	Number of Sides (1-9, e.g. 3 = 3 Sides)	D	Drywall	03	≤ 3 ft
		A	Pattern ¹	γ	3-Spoke	G	Grid	06	≤ 6 ft
				x	4-Spoke	S	Structure	12	≤ 12 ft
				0	Any Number of Sides	R	Remote	25	≤ 25 ft ²
			¹ Please provide a drawing.						² Add 2 W /4 ft for cable loss.

6	FINISH	7	DISTRIBUTION	8	CRI	9	CCT	10	ENERGY ⁵
FIXTURE FINISH ³	CANOPY FINISH ⁴	W1	100 Dn	8	80 CRI	30	3000 K	A	9.5 W ⁶
B Black Powdercoat	B Black Powdercoat	W3	35 Up 65 Dn	9	90 CRI	35	3500 K	B	12 W
K Black Powdercoat, Black Cord	S Metallic Silver Powdercoat	W6	60 Up 40 Dn			40	4000 K	C	15 W
S Metallic Silver Powdercoat	W White Powdercoat							D	18 W
W White Powdercoat	C Custom Color (RAL)							E	22 W
C Custom Color (RAL)								F	27 W ⁷
³ Default silver power cord.	⁴ Only white or black canopy in Grid (G) ceiling. Cord coupler: default silver finish; black with black cord or canopy.								⁵ Nominal input power /4 ft. Add 4 W for BP or 347 V. ⁶ A: Only 100 Dn (W1). Only F1/F2 Driver with 2 ft module. ⁷ F: Not 100 Dn (W1).

11	DRIVER	12	VOLTAGE	OPTIONS	CONTROLS
F1	Non-Dim	M	120-277 V	B#	Battery Pack Qty ¹¹
F2	0-10 V Dim 3%	1	120 V ⁹	H#	Emergency Switch Qty ^{11,12} (GTD or Controller)
F4	Line Voltage Dim (Fwd/Rev) 3% 120 V	2	277 V ⁹	C	Chicago CCEA
E1	eldoLED ECO 0-10 V Dim 1%	3	347 V ¹⁰	G	6 ft Modules ¹³
E2	eldoLED SOLO 0-10 V Dim 0.1%			P	Oversize J-Box Canopies ¹⁴
E3	eldoLED ECO DALI-2 DT6 Dim 1%				
E4	eldoLED SOLO DALI-2 DT6 Dim 0.1%				
L1	Lutron Hi-Lume 1% EcoSystem (LDE1) ⁸				
		⁹ Fixed voltage only for (F4) Line Dim Driver or nLight controls.		¹¹ BP & GTD: 120-277 V only. Remote mounted in Structure ceiling. For Drywall ceiling, use Remote (R) or Structure (S) option.	TYPE & LOCATION ¹⁵
		¹⁰ 347 V transformer, not available in Drywall ceiling.		¹² GTD not compatible with (F4) Line Dim driver.	R Remote Sensor / Controller on Ceiling
				¹³ For 12 ft & 18 ft sides in predefined shapes.	S Sensor / Controller on Canopy
				¹⁴ For 120-277 V in Structure (S) ceilings.	V Controller on Driver / Plenum Side
					Y Controller on Canopy / Room side
					BRAND & PROTOCOL ¹⁵
					N1 Acuity nLight Wired ¹⁶
					N2 Acuity nLight Air r10 ¹⁶
					N3 Acuity nLight Air RPP20 ¹⁶
					L1 Lutron Athena Wireless
					M1 Legrand Wattstopper PLUS
					V1 Leviton Intellect Wireless
					¹⁵ Controls selection may be limited by version, protocol or other features – see Controls page.
					¹⁶ nLight: Controller (V,Y) only.

SPECIFICATION DATA
LINES SUSPENDED (LN1P)
 PREDEFINED SHAPES + ROWS

SHAPE CATALOG #

ORDER GUIDE (2 OF 2) – PREDEFINED SHAPES

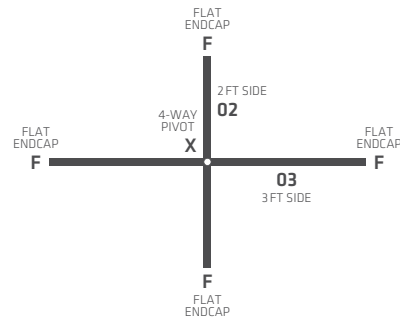
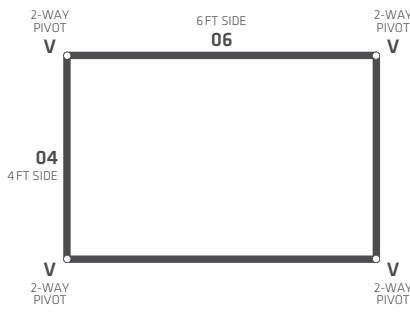
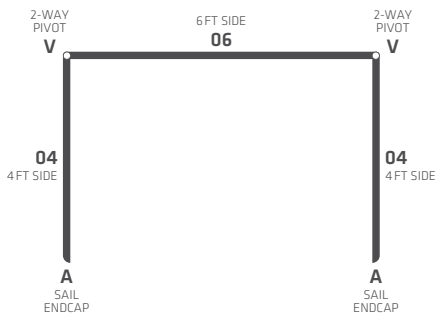
START	LENGTH 1	LENGTH 2	LENGTH 3	LENGTH 4	END
/					

START	SIDES ¹⁸				END (Optional) ¹⁹	
/	OPEN SHAPE A Sail Endcap F Flat Endcap P Capsule Endcap W Wall Pivot CLOSED SHAPE V 2-Way Pivot	LENGTH 1 ## 1st Side Length in Ft ¹⁸ 2-Way Pivots (V) between Sides.	LENGTH 2 (Optional) ## 2nd Side Length in Ft	LENGTH 3 (Optional) ## 3rd Side Length in Ft	LENGTH 4 (Optional) ## 4th Side Length in Ft	OPEN SHAPE See START options CLOSED SHAPE N None ¹⁹ If blank, assume same endcap as START, or None (N) when START is a Pivot.

LN1A0.../L4/3EA/L6/V2/VY/2L2

4 ft Line, 3 Sail Endcaps, 6 ft Line, 2-Way Pivot, 3-Way Pivot, 2 x 2 ft Lines

EXAMPLES:



SPECIFICATION DATA

LINES SUSPENDED (LN1P)

PREDEFINED SHAPES + ROWS




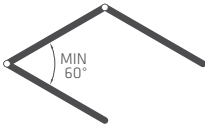
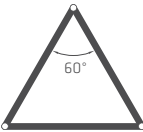


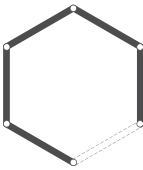
PREDEFINED SHAPES OVERVIEW

Lines Predefined Shapes (LN1P) are for specifying linear rows and straightforward layouts. Use P1-9 to define the number of straight sides, followed by the shape ends – Sail (A), Flat (F) or Capsule (P) endcaps for open shapes, or a 2-Way Pivot (V) for closed shapes. Examples below. For more elaborate geometry, refer to Patterns (LN1A) spec sheet.



WE CAN HELP

Send fluxwerx your pattern drawing and we will provide a detailed design layout.

	LINE / BRANCHED SHAPES	OPEN SHAPES	CLOSED SHAPES
1-2 LINES	 <p>P1.../A##... (P1) STRAIGHT LINE (A) SAIL ENDS</p>	 <p>P2.../F##... (P2) 2 LINES, 2-WAY PIVOT (F) FLAT ENDS</p>	
3 LINES	 <p>PY.../P##... (3-SPOKE) (PY) 3 LINES, 3-WAY PIVOT (P) CAPSULE ENDS</p>	 <p>P3.../P##... (P3) 3 LINES, 2-WAY PIVOTS (P) CAPSULE ENDS</p>	 <p>P3.../V##... (TRIANGLE) (P3) 3 LINES (V) ALL 2-WAY PIVOTS</p>
4-9 LINES	 <p>PX.../F##... (4-SPOKE) (PX) 4 LINES, 4-WAY PIVOT (F) FLAT ENDS</p>	 <p>P#.../P##... (P#) # LINES, 2-WAY PIVOTS (P) CAPSULE ENDS</p>	 <p>P#.../V##... (P#) # LINES (V) ALL 2-WAY PIVOTS</p>

ENDS	PIVOTS
(A) Sail	(V) 2-Way
(F) Flat	(Y) 3-Way
(P) Capsule	(X) 4-Way
(W) Wall	

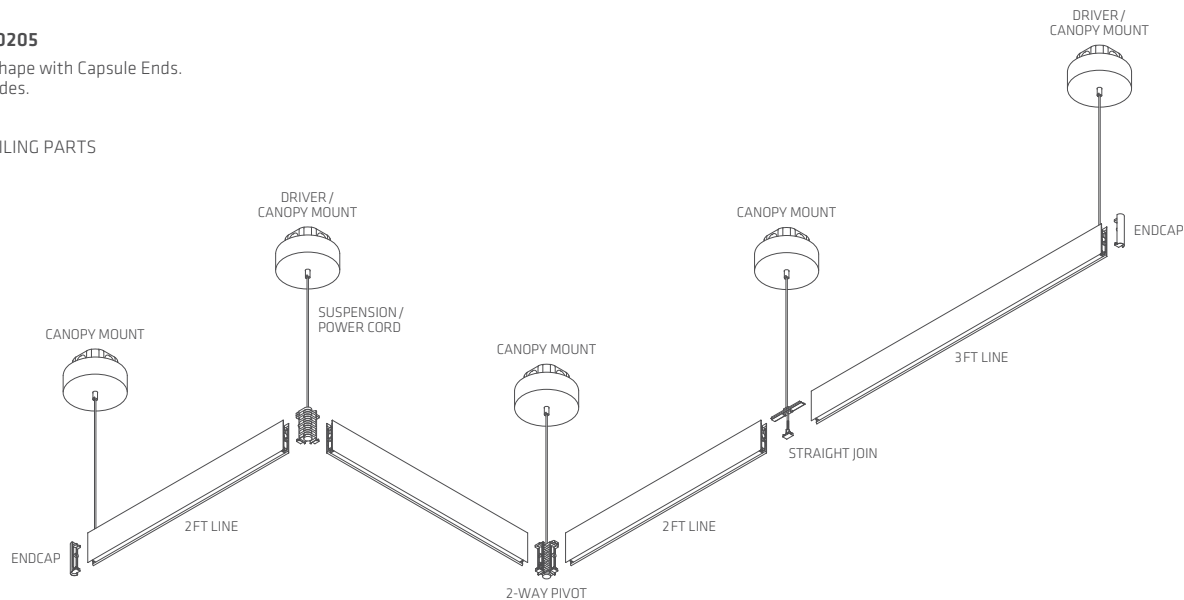
SPECIFICATION DATA
LINES SUSPENDED (LN1P)
 PREDEFINED SHAPES + ROWS

PARTS EXAMPLE – OPEN SHAPE

LN1P3.../P020205

Open 'U' or 'Z' shape with Capsule Ends.
 2 ft, 2 ft & 5 ft sides.

STRUCTURE CEILING PARTS

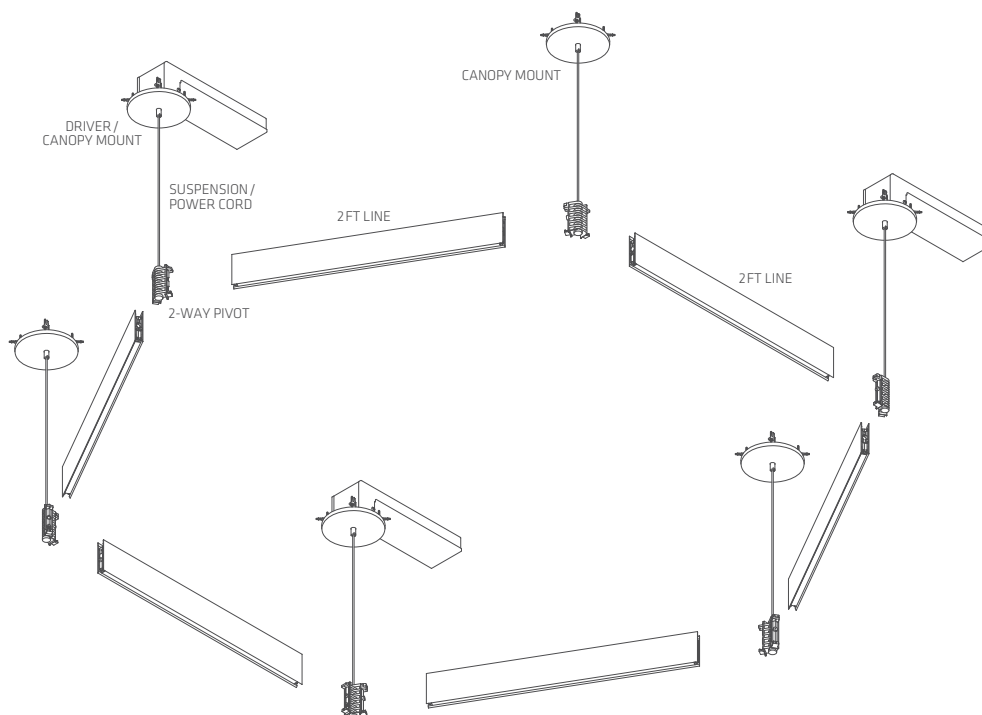


PARTS EXAMPLE – CLOSED SHAPE

LN1P6.../V02

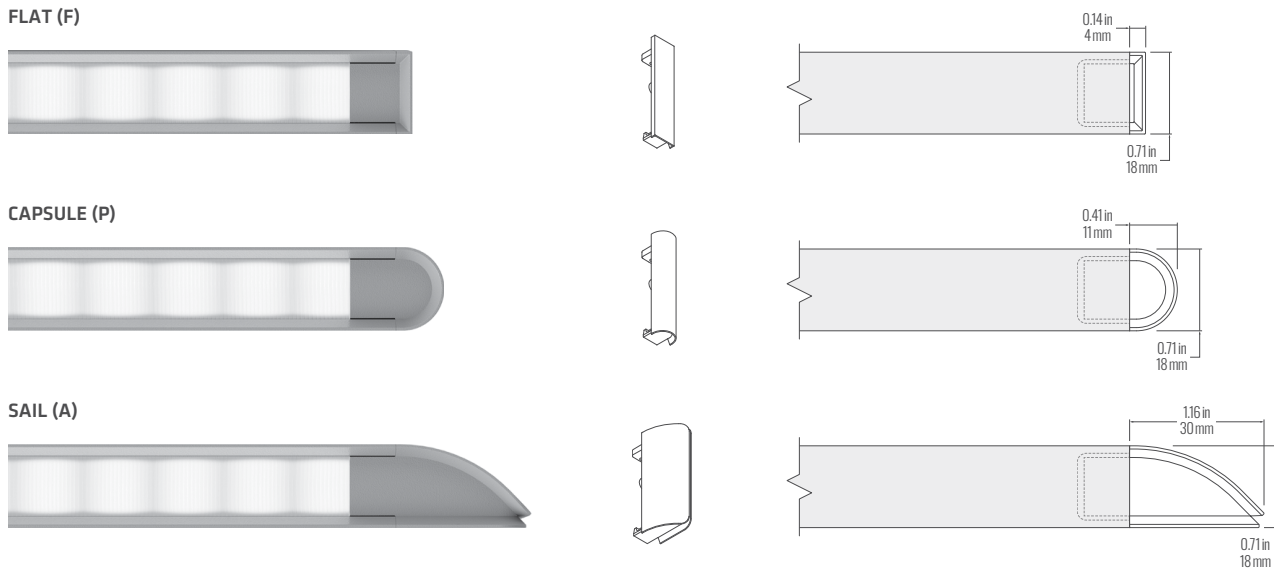
Hexagon with 2 ft sides.

DRYWALL CEILING PARTS



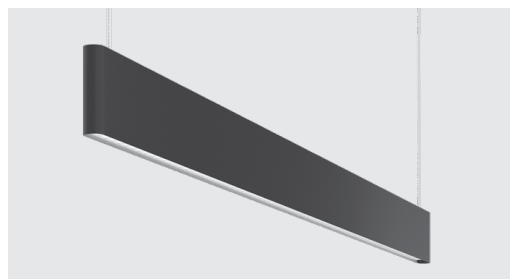
SPECIFICATION DATA
LINES SUSPENDED (LN1P)
 PREDEFINED SHAPES + ROWS

ENDCAP OPTIONS

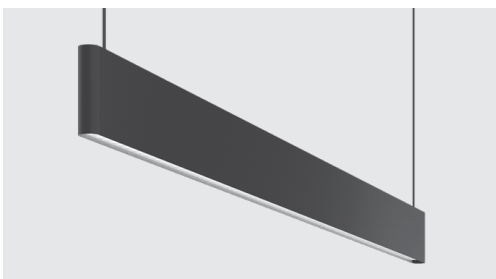


FINISHES

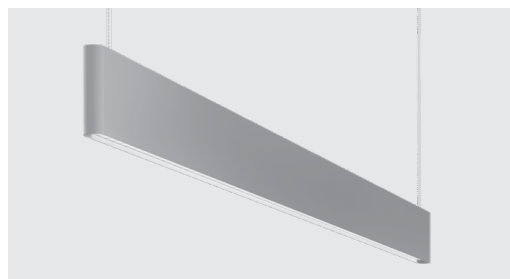
All finishes high temperature powder coated. Silver power cord by default.



(B) BLACK



(B) BLACK + BLACK CORD



(S) SILVER



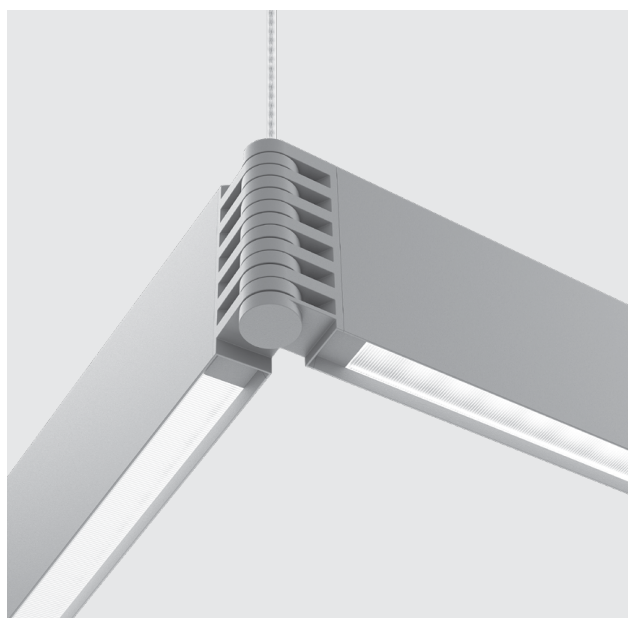
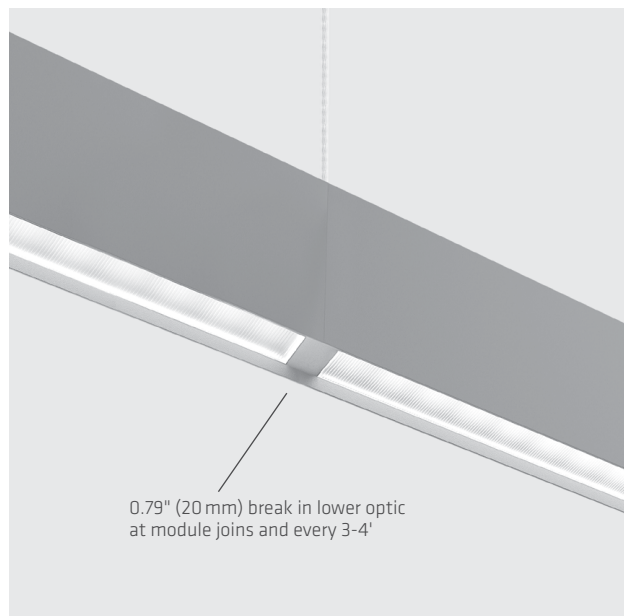
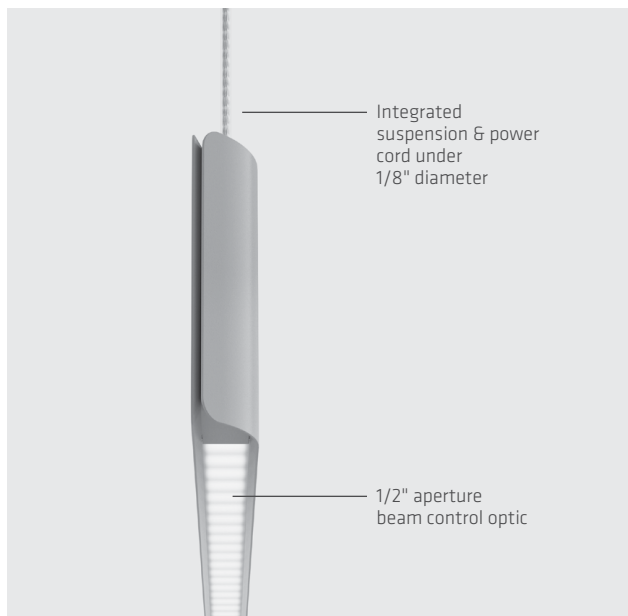
(W) WHITE



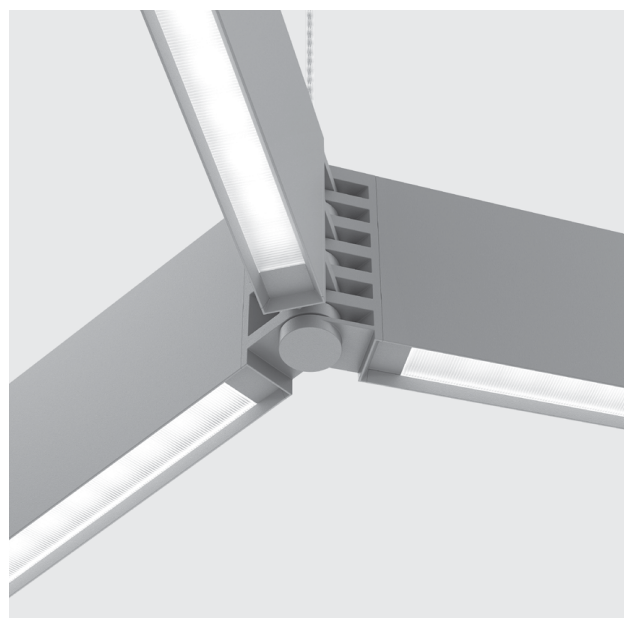
CUSTOM

SPECIFICATION DATA
LINES SUSPENDED (LN1P)
PREDEFINED SHAPES + ROWS

PRODUCT DETAILS



2-WAY PIVOT



3-WAY PIVOT

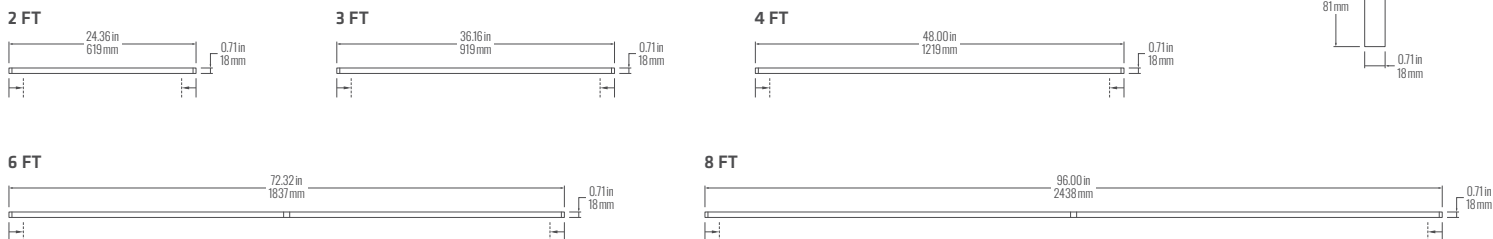
SPECIFICATION DATA
LINES SUSPENDED (LN1P)
 PREDEFINED SHAPES + ROWS

FIXTURE PARTS

All fixtures are factory prewired. Joints, endcaps and pivots may be factory preinstalled to a maximum length of 8ft.

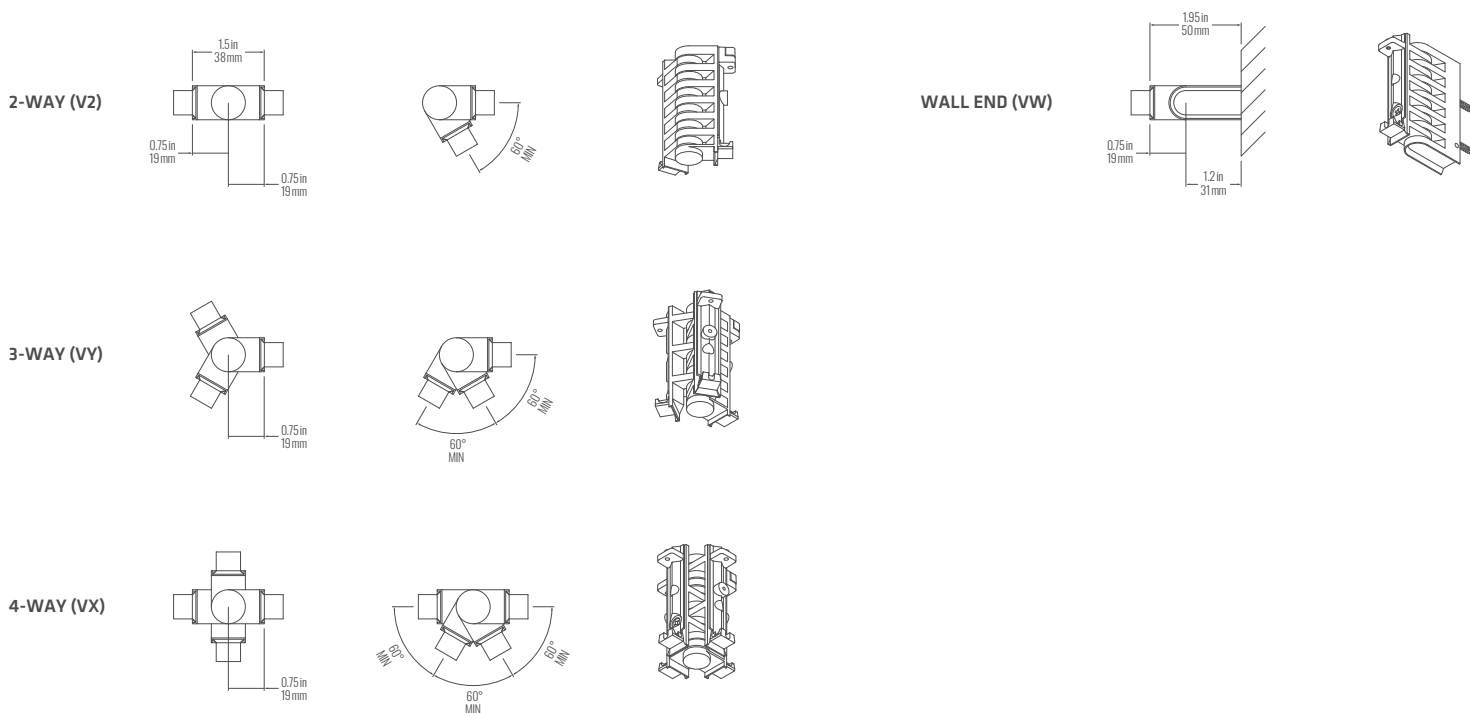
LINES

REFLECTED PLAN VIEW



Mount adjustment (not pivots):
 1" (24 mm) from ends
 3" (80 mm) across joints

PIVOTS

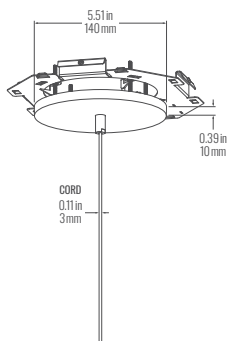


CEILING INTEGRATION

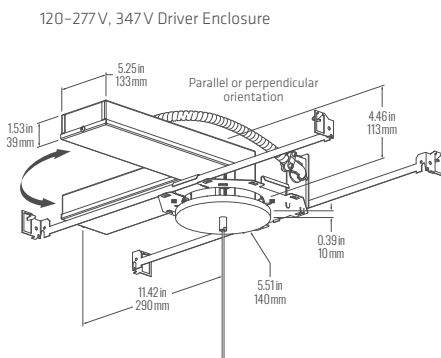
INTEGRATED DRIVER, MOUNTING, POWER FEED & CANOPY/BASE

(D) DRYWALL

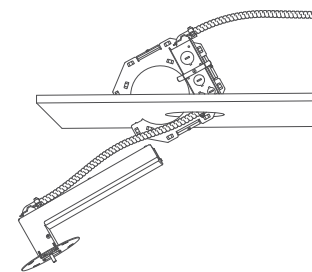
For GWB or panel ceiling < 0.875" (22 mm) thick.
 Level fixture and horizontal ceiling only.



Ceiling Canopy & Non-Power Mount



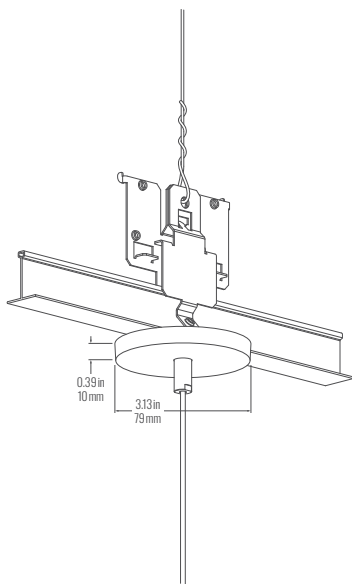
New Construction



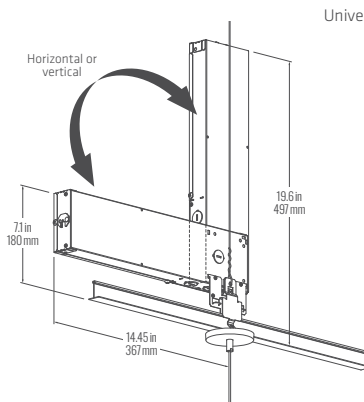
Retrofit Installation

(G) GRID

For accessible ceiling grid < 1.75" (44 mm) tall.
 Level fixture and horizontal ceiling only.

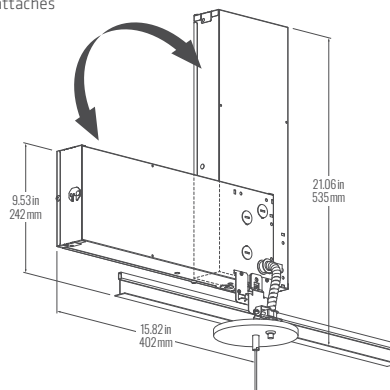


Ceiling Canopy & Non-Power Mount

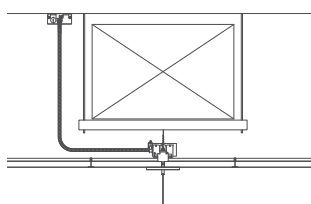


120-277V, 347V Driver Enclosure

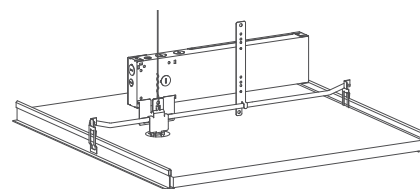
Universal T-bar bracket attaches ON or OFF grid



(B) Battery Pack or (H) Emergency Switch Driver Enclosure



Detached Method



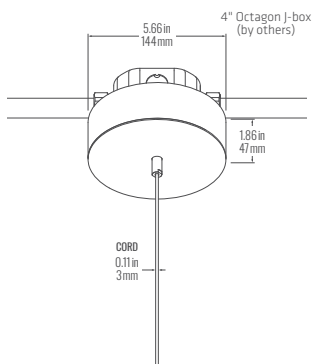
Off Grid Installation

CEILING INTEGRATION

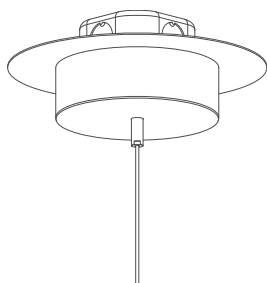
INTEGRATED DRIVER, MOUNTING, POWER FEED & CANOPY/BASE

(S) STRUCTURE

For exposed ceiling with conduit or recessed junction box.
 Level fixture only. Horizontal or sloped ceiling up to 45°.

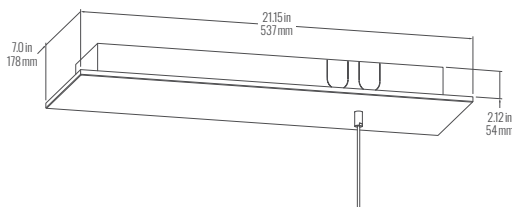


Driver Canopy & Mount (120-277 V)
 Power & Non-Power

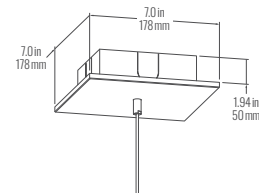


(P) Optional Oversized (9")
 J-box Canopy

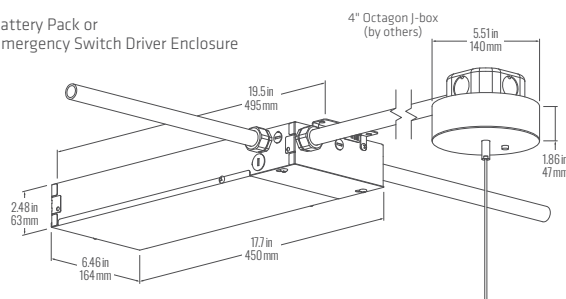
347 V Driver Canopy



347 V Non-Power Canopy

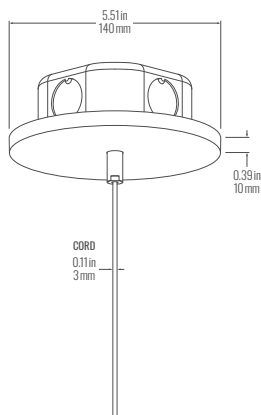


(B) Battery Pack or
 (H) Emergency Switch Driver Enclosure



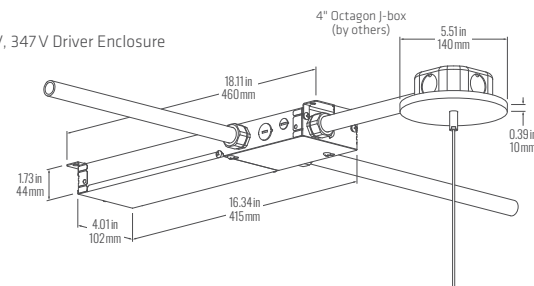
(R) REMOTE

External remote mounted driver for exposed ceiling with conduit or recessed junction box. See Notes for recommended wire gauge.
 Level fixture only. Horizontal or sloped ceiling up to 45°.

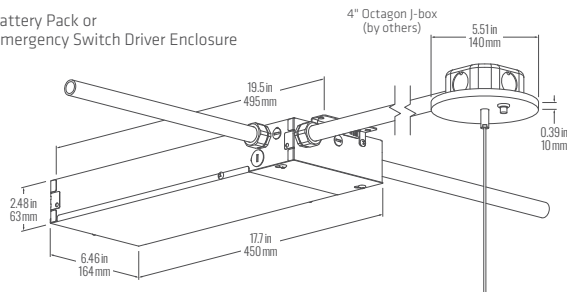


Ceiling Canopy & Mount (Power & Non-Power)

120-277 V, 347 V Driver Enclosure



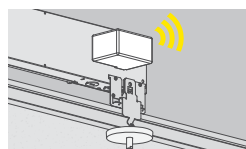
(B) Battery Pack or
 (H) Emergency Switch Driver Enclosure



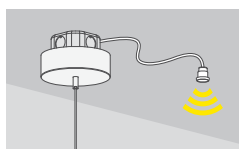
SPECIFICATION DATA
LINES SUSPENDED (LN1P)
 PREDEFINED SHAPES + ROWS

CONTROLS & SENSORS

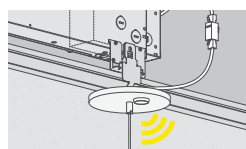
LUMINAIRE INTEGRATION



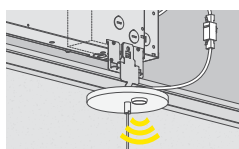
V
 Controller,
 Enclosure/Plenum Side



R
 Sensor,
 Remote/on Ceiling



Y
 Controller,
 Canopy/Room Side



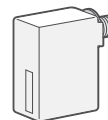
S
 Sensor,
 on Canopy

Sensor/Controller preinstalled into suspension canopy or ceiling collar (for remote tile or J-box lid installation). Plenum rated cable whips and connectors for fast field activation.

(N1) Acuity
 nLight Wired



nLight wired, digital network.
 Model: nPS-80-EZ or nPS-80-EZ-ER
 (with H - Emergency Switching)

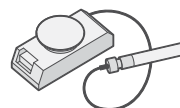


VN1 nLight Wired Controller, Enclosure/Plenum Side

(N2, N3) Acuity
 nLight Air



Acuity nLight wireless network
 interfaces.
 Models: rIO, rPP20



VN2 nLight rIO Controller, Enclosure/Plenum Side
YN2 nLight rIO Controller, Canopy/Room Side
VN3 nLight rPP20 Controller, Enclosure/Plenum Side

(L1) Lutron
 Athena



Lutron Athena wireless smart
 controllers & sensors.
 Models: A-WN-D01-RF, A-WN-D01-OCC
 For YL1 and SL1:
 Default Athena color to match fixture/canopy color
 Canopy Athena
 WH WH
 SV BK
 BK BK
 For VL1 and RL1: default WH

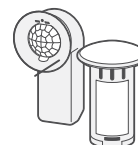


VL1 Athena Controller, Enclosure/Plenum Side
YL1 Athena Controller, Canopy/Room Side
RL1 Athena Sensor, Remote/on Ceiling
SL1 Athena Sensor, on Canopy

(M1) Legrand
 Wattstopper
 PLUS



Wattstopper PLUS wireless smart
 controllers & sensors.
 Models: ZBHA-CLM, EN-CLM-PIR

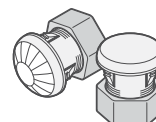


VM1 Wattstopper PLUS Control Module,
 Enclosure/Plenum Side
YM1 Wattstopper PLUS Control Module,
 Canopy/Room Side
RM1 SensiLUM Sensor, Remote/on Ceiling
SM1 SensiLUM Sensor, on Canopy

(V1) Leviton
 Intellect



Leviton Intellect wireless smart
 controllers & sensors.
 Models: ZLOx0, ZLOxS



VV1 Intellect Controller, Enclosure/Plenum Side
YV1 Intellect Controller, Canopy/Room Side
RV1 Intellect Sensor, Remote/on Ceiling
SV1 Intellect Sensor, on Canopy

Ask us about...

Pass & Seymour®

EATON

DISTECH
 CONTROLS

CRESTRON

CASAMBI

All integrated controls trademarks and logos are the property of their manufacturer and are used under license.

All rights reserved. © Fluxwerx Illumination 2025 604.549.9379 | fluxwerx.com
 Due to continuous product improvements, specifications and dimensions are subject to change without notice.
 Certain options have limited compatibility with some other product selections. Consult www.fluxwerx.com for most current technical information.

Spec-Fluxwerx-LinesSuspend-ShapeRow-na-en | 2025-04

SPECIFICATION DATA

LINES SUSPENDED (LN1P)

PREDEFINED SHAPES + ROWS

NOTES

CONSTRUCTION

- Architectural grade aluminum and 22 ga. steel housings
- Canopies and driver enclosures suitable for new build or retrofit in grid, GWB, structure or hard lid ceilings
- White, metallic silver or black textured powdercoat standard finishes

OPTICAL

- Precision molded high transmittance clear acrylic lenses
- Long life LED system designed for typical TM21 lumen maintenance \geq L80 @ 102,000 h
- Available in 3000K, 3500K, 4000K with CRI \geq 80 and R9 \geq 0, or CRI \geq 90 and R9 \geq 50, all with color accurate binning \leq 2 SDCM

ELECTRICAL

- Low voltage power cord, factory pre-installed
- Integral high efficiency drivers for 50–60 Hz, 120–277 V or 347 V
- Power Factor:
 - $>$ 0.90 (Drivers F1, F2, E1-4, L2) except $>$ 0.80 (Energy A, B in 2 ft, 3 ft source) $>$ 0.75 (Driver L1)
- Total Harmonic Distortion: $<$ 20 % (Drivers F1, F2, E1-E4)
- Dim level: Standard 3%, optional 1% or 0.1%
- Surge Protection: Meets ANSI C82.11 spec and ANSI/IEEE C62.41
- Inrush Current: Meets NEMA 410

EMERGENCY

- Optional Battery Pack delivers 10 W Class 2 rated output for 90 min. See Family Performance for estimated emergency output
- Optional GTD (Generator Transfer Switch), 120–277 V, disables 0–10 V or DALI control during emergency for full light output

WIRE GAUGE

- Recommended low voltage wire gauge (AWG) for minimal losses over distance when REMOTE mounting:
 - 30 ft | 18 ga
 - 50 ft | 14 ga
 - 80 ft | 12 ga

ENVIRONMENTAL & CARE

- Designed for use in dry or damp indoor locations with ambient temperatures of 0–30 °C (32–86 °F)
- The luminaire may be damaged by chemicals such as chlorine, solvents, ammonia, alcohol or sulfur in the area of operation or in cleaning products. Damage from contaminants is not covered under warranty.
- Not suitable for natatorium environments, e.g. swimming pools, hot tubs and saunas.
- Clean only by wiping with a slightly water-damp, soft, clean cloth.

WEIGHT

- Fixture: 11b (0.45 kg) per ft
- Pivot: 0.4 lbs (0.18 kg)

WARRANTY

- 5 year limited warranty on all components and workmanship






INDEPENDENT TESTING



- IESNA LM79
- IESNA LM80 (LED @ 17,000 hr)

APPROVALS

- UL Listed (USA + Canada)
- CCEA Chicago Plenum
- Living Building Challenge (LBC) Declared

DRIVERS + EMERGENCY

STANDARD DRIVER OPTIONS	
  	F1 Non-Dim F2 0–10 V Dim 3% F4 Line Voltage Dim 3% (Forward/Reverse) 120 V
	E1 eldoLED ECO 0–10 V Dim 1% E2 eldoLED SOLO 0–10 V Dim 0.1% E3 eldoLED ECO DALI-2 DT6 Dim 1% E4 eldoLED SOLO DALI-2 DT6 Dim 0.1%
	L1 Lutron Hi-Lume 1% EcoSystem (LDE1)

EMERGENCY OPTIONS	
 	B Battery Pack Bodine BSL310 (10 W) H Emergency Switching Functional Devices ESRB Emergency Lighting Relay

Driver and emergency selection may be limited by product or version.
For further options, contact Fluxwerx.

SPECIFICATION DATA

LINES SUSPENDED (LN1P)

PREDEFINED SHAPES + ROWS

FAMILY PERFORMANCE

COLOR

80 CRI	4000 K	3500 K	3000 K
Color Rendering (CRI)	83	82	81
Red Index (R9)	4	1	1
Fidelity (TM-30 R _f)	84	83	84
Gamut (TM-30 R _g)	95	95	94
Color Matching (SDCM)	< 2		

90 CRI	4000 K	3500 K	3000 K
Color Rendering (CRI)	93	92	91
Red Index (R9)	55	53	53
Fidelity (TM-30 R _f)	90	89	90
Gamut (TM-30 R _g)	97	97	96
Color Matching (SDCM)	< 2		

Typical colorimetry values.

LUMEN MAINTENANCE

9.5 W (A) – 27 W (F)	
L90 per TM-21 (hr)	> 60,000
L80 per TM-21 (hr)	> 102,000

OUTPUT MULTIPLIERS

MULTIPLIER	Applies To	
90 CRI	0.84	All 80 CRI
Battery Pack	1.00	Energy B (12 W)

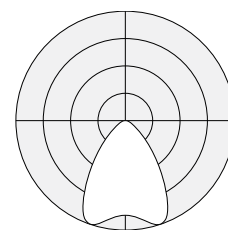
FINISH	100 Dn (W1)	35 65 (W3)	60 40 (W6)
Black	0.89	0.91	0.91
Metallic Silver	0.93	0.94	0.95

For 90 CRI, emergency BP or non-white fixtures, use multipliers to scale published Light (lm), Efficacy (lm/W), Intensity (Cd), Luminance (Cd/m²) and IES files.

VERSION PERFORMANCE

W1 – 100 Dn, 80 CRI

CONFIGURATION			LIGHT & POWER				VISUAL COMFORT		LIGHT DISTRIBUTION
CCT	ENERGY (NOM.)		LIGHT (lm/4ft)	POWER (W/4ft)	EFFICACY (lm/W)	MAX BEAM INTENSITY (Cd)	MAX INTENSITY 45-90° (Cd)	UGR (4H x 8H)	
LN1-W1840 4000 K	A	9.5 W	1114	9.38	118.8	797	220	18.9	
	B	12 W	1459	11.92	122.4	1,044	290	19.8	
	C	15 W	1877	14.85	126.4	1,343	370	20.7	
	D	18 W	2357	18.16	129.8	1,686	465	21.5	
	E	22 W	2881	22.06	130.6	2,061	570	22.2	
LN1-W1835 3500 K	A	9.5 W	1104	9.38	117.7	790	220	18.9	
	B	12 W	1446	11.92	121.3	1,035	285	19.8	
	C	15 W	1859	14.85	125.2	1,330	370	20.7	
	D	18 W	2335	18.16	128.6	1,671	465	21.5	
	E	22 W	2854	22.06	129.4	2,042	565	22.2	
LN1-W1830 3000 K	A	9.5 W	1078	9.38	114.9	771	215	18.8	
	B	12 W	1412	11.92	118.5	1,010	280	19.7	
	C	15 W	1816	14.85	122.3	1,299	360	20.6	
	D	18 W	2281	18.16	125.6	1,632	450	21.4	
	E	22 W	2788	22.06	126.4	1,995	555	22.1	



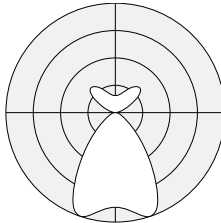
Lines
W1
100% Dn

SPECIFICATION DATA
LINES SUSPENDED (LN1P)
 PREDEFINED SHAPES + ROWS

VERSION PERFORMANCE

W3 – 35 Up | 65 Dn, 80 CRI

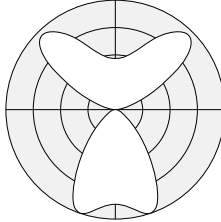
CONFIGURATION			LIGHT & POWER				VISUAL COMFORT		LIGHT DISTRIBUTION
CCT	ENERGY (NOM.)		LIGHT (lm/4ft)	POWER (W/4ft)	EFFICACY (lm/W)	MAX BEAM INTENSITY (Cd)	MAX INTENSITY 45-90° (Cd)	UGR (4H x 8H)	
LN1-W3840 4000 K	B	12 W	1501	11.92	125.9	661	190	15.3	
	C	15 W	1930	14.85	130.0	850	245	16.1	
	D	18 W	2423	18.16	133.4	1,067	310	16.9	
	E	22 W	2962	22.06	134.3	1,304	380	17.6	
	F	27 W	3643	27.02	134.8	1,604	465	18.3	
LN1-W3835 3500 K	B	12 W	1486	11.92	124.7	654	190	15.2	
	C	15 W	1912	14.85	128.8	842	245	16.1	
	D	18 W	2401	18.16	132.2	1,057	305	16.9	
	E	22 W	2935	22.06	133.0	1,292	375	17.6	
	F	27 W	3608	27.02	133.5	1,588	460	18.3	
LN1-W3830 3000 K	B	12 W	1452	11.92	121.8	639	185	15.2	
	C	15 W	1867	14.85	125.7	822	240	16.0	
	D	18 W	2345	18.16	129.1	1,032	300	16.8	
	E	22 W	2867	22.06	130.0	1,262	365	17.5	
	F	27 W	3525	27.02	130.5	1,552	450	18.2	



Lines
W3
38% Up | 62% Dn

W6 – 60 Up | 40 Dn, 80 CRI

CONFIGURATION			LIGHT & POWER				VISUAL COMFORT		LIGHT DISTRIBUTION
CCT	ENERGY (NOM.)		LIGHT (lm/4ft)	POWER (W/4ft)	EFFICACY (lm/W)	MAX BEAM INTENSITY (Cd)	MAX INTENSITY 45-90° (Cd)	UGR (4H x 8H)	
LN1-W6840 4000 K	B	12 W	1554	11.68	133.0	406	125	11.7	
	C	15 W	1998	14.51	137.7	522	160	12.5	
	D	18 W	2510	17.67	142.0	656	200	13.3	
	E	22 W	3068	21.30	144.0	802	245	14.0	
	F	27 W	3772	26.18	144.1	986	300	14.8	
LN1-W6835 3500 K	B	12 W	1539	11.68	131.8	402	120	11.6	
	C	15 W	1980	14.51	136.5	518	155	12.5	
	D	18 W	2486	17.67	140.7	650	195	13.3	
	E	22 W	3039	21.30	142.7	795	240	14.0	
	F	27 W	3737	26.18	142.7	977	295	14.7	
LN1-W6830 3000 K	B	12 W	1504	11.68	128.8	393	120	11.6	
	C	15 W	1934	14.51	133.3	506	155	12.4	
	D	18 W	2429	17.67	137.5	635	190	13.2	
	E	22 W	2969	21.30	139.4	776	235	13.9	
	F	27 W	3651	26.18	139.5	955	290	14.6	



Lines
W6
62% Up | 38% Dn

Photometry Reports: 14235146.01 to 14235146.03

Photometry baseline established with integrating sphere and goniophotometer results from an independent accredited testing laboratory per IES LM-79, ANSI 78.377. Remaining values scaled from baseline data. Output and power may vary by up to 5%.