



**BULLARD
SOLAR**
One with the Sun

MR. ASH

BOLLARDS

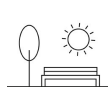
Solar Bollard



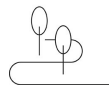
MR. ASH

**Designed to last
No matter the conditions**

The MR. ASH is a timeless solar bollard light that combines clean geometry with the natural strength and character of ash wood. Designed for durability and fully off-grid performance, it features an integrated solar panel, energy-efficient LED lighting, and a long-life LiFePO₄ battery for reliable illumination in any environment. Its simple yet refined form makes it ideal for pathways, gardens, and outdoor spaces where natural materials and understated design are key.



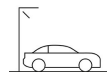
Park & Garden



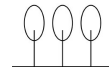
Hiking Trails



Places



Car Park & Rest



Pathways



Campsites



MR. ASH

FIXTURE TYPE: _____

PROJECT NAME: _____



MATERIAL:

OAK

HOUSING:

Black

LIGHTING:

LED

VOLTAGE:

110-277V

BATTERY:

Lithium Iron Phosphate LIFEPO4 28Wh

ENERGY:

Solar powered, fully off-grid with integrated solar panel (no external power required).

SOLAR PANEL:

Reinforced Glass solar-panel

MECHANICAL:

OAK wood body with anti-rot protection, integrated solar top housing, and durable outdoor construction designed to withstand weather conditions.

LIGHT WIDTH:

Approximately 6 meters per side

UPWARD LIGHT RATIO (ULR):

0%

BURN TIME:

8 - 12 hours

TEMPERATURE:

-20...+50°C

LIFESPAN:

15 – 25 years

CERTIFICATIONS:

PEFC, The Forest Stewardship Council (FSC)

BEAM ANGLE:

156x64

APPLINCE CLASS:

II



Bullard Solar retains the right to modify or change product specifications without prior notice, as part of our ongoing commitment to improvement



Due to the dynamic nature of lighting products and the associated technologies, luminaire data on all specification sheets is subject to change at the discretion of Gordon Bullard LLC and associated companies.

ONE WITH THE SUN

sales@gordonbullard.com / www.bullardbollards.com / 1-877-964-4646

991 South Gull Lake Dr Richland, MI 49083 USA

MR. ASH

FIXTURE TYPE: _____

PROJECT NAME: _____

HOW TO ORDER: _____ **CODE:** _____

Example:
CODE: BS-MRASH-TL-1-L1-27K-DIM

BS-MRASH-TL
-NDW-TM

1 MODELS:

-1
LPH - LPH: 13" (33 cm)
Ground level - H: 19.8" (50.3 cm)
L x W - LxW: 6.9" x 6.9" (17.5 cm x 17.5 cm)

-2
LPH - LPH: 27.6" (70 cm)
Ground level - H: 23.6" (60 cm)
L x W - LxW: 6.9" x 6.9" (17.5 cm x 17.5 cm)

2 LIGHTING SOURCE:

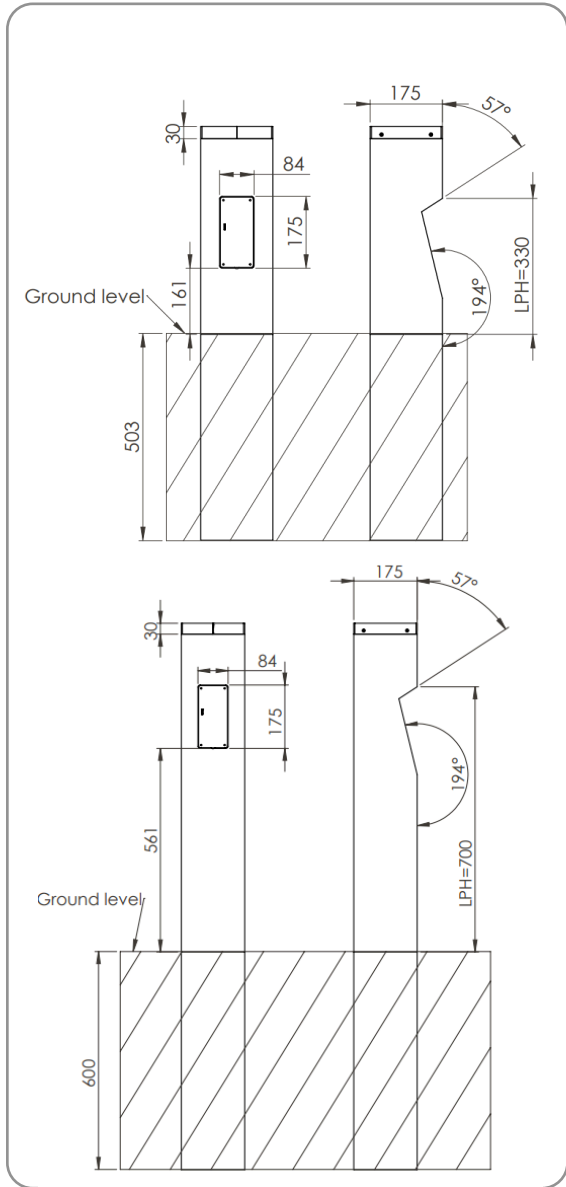
-L1 LED / 2,4W / 110-277V
-L2 LED / 2,1W / 110-277V

3 CCT / LUMENS / CRI:

-22K 2200K / 109 lm / 84CRI (FOR L1)
-27K 2700K / 121 lm / 84CRI (FOR L1)
-40K 4000K / 153 lm / 72CRI (FOR L1)
-AMB AMBER 593 nm / 47 lm (FOR L2)

4 DIMMING OPTIONS:

-NON NON-Dimmable
-DIM 0-10V





Due to the dynamic nature of lighting products and the associated technologies, luminaire data on all specification sheets is subject to change at the discretion of Gordon Bullard LLC and associated companies.

ONE WITH THE SUN

sales@gordonbullard.com / www.bullardbollards.com / 1-877-964-4646
991 South Gull Lake Dr Richland, MI 49083 USA