

MR. LUMO ROUND

BOLLARDS

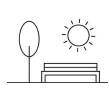
Solar Bollard



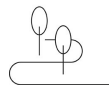
MR. LUMO ROUND

Designed to last
No matter the conditions

The MR. LUMO ROUND is a refined solar bollard light featuring a smooth, cylindrical form crafted from natural chestnut wood. Combining organic aesthetics with modern technology, it integrates a solar panel, energy-efficient LED lighting, and a long-life LiFePO₄ battery for reliable, fully off-grid operation. Designed to withstand outdoor conditions while delivering soft, ambient illumination, MR. LUMO ROUND is ideal for pathways, parks, and landscape settings where warmth and subtle design are key.



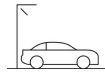
Park & Garden



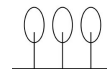
Hiking Trails



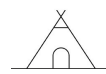
Places



Car Park & Rest



Pathways



Campsites



MR. LUMO ROUND

FIXTURE TYPE: _____

PROJECT NAME: _____



MATERIAL:

Chestnut

HOUSING:

Black

LIGHTING:

LED

VOLTAGE:

110-277V

BATTERY:

Lithium Iron Phosphate LIFEPO4 28Wh

ENERGY:

Solar powered, fully off-grid with integrated solar panel (no external power required).

SOLAR PANEL:

Reinforced Glass solar-panel

MECHANICAL:

Chestnut wood body with anti-rot protection, integrated solar top housing, and durable outdoor construction designed to withstand weather conditions.

LIGHT WIDTH:

Approximately 6 meters per side

UPWARD LIGHT RATIO (ULR):

0%

BURN TIME:

8 - 12 hours

TEMPERATURE:

-20...+50°C

LIFESPAN:

15 – 25 years

CERTIFICATIONS:

PEFC, The Forest Stewardship Council (FSC)

BEAM ANGLE:

155x65

APPLINCE CLASS:

II



Bullard Solar retains the right to modify or change product specifications without prior notice, as part of our ongoing commitment to improvement



Due to the dynamic nature of lighting products and the associated technologies, luminaire data on all specification sheets is subject to change at the discretion of Gordon Bullard LLC and associated companies.

ONE WITH THE SUN

sales@gordonbullard.com / www.bullardbollards.com / 1-877-964-4646

991 South Gull Lake Dr Richland, MI 49083 USA

MR. LUMO ROUND

FIXTURE TYPE: _____

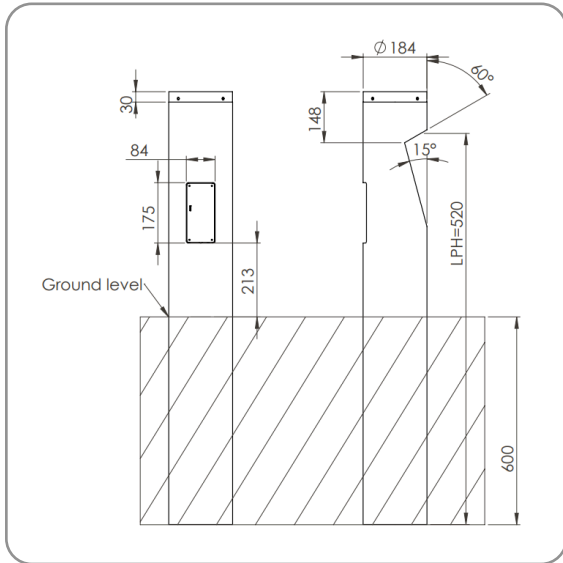
PROJECT NAME: _____

HOW TO ORDER:

CODE:

Example:
CODE: BS-MLMRND-TL-L2-AMB-NON

BS-MLMRND-TL-L2-
AMB-NON



1 DIMENSIONS:

LPH - LPH: 20.5" (52 cm)
Ground level - H: 23.6" (60 cm)
Diameter - Ø: 7.2" (18.4 cm)

2 LIGHTING SOURCE:

-L1 LED / 2,4W / 110-277V
-L2 LED / 2,1W / 110-277V

3 CCT / LUMENS / CRI:

-22K 2200K / 109 lm / 84CRI (FOR L1)
-27K 2700K / 121 lm / 84CRI (FOR L1)
-40K 4000K / 153 lm / 72CRI (FOR L1)
-AMB AMBER 593 nm / 47 lm (FOR L2)

4 DIMMING OPTIONS:

-NON NON-Dimmable
-DIM 0-10V



Due to the dynamic nature of lighting products and the associated technologies, luminaire data on all specification sheets is subject to change at the discretion of Gordon Bullard LLC and associated companies.

ONE WITH THE SUN

sales@gordonbullard.com / www.bullardbollards.com / 1-877-964-4646

991 South Gull Lake Dr Richland, MI 49083 USA