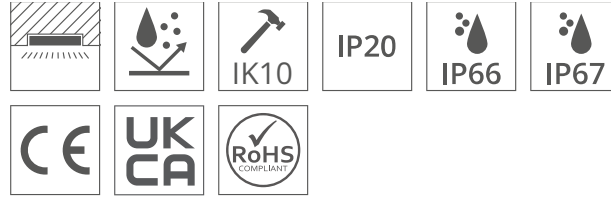


# HR-MAX Extrusion

Ref. A01829



- For indoor | outdoor ground installation
- Designed for IP68 and IK10 protection ratings
- Corrosion resistance at high salinity
- Corresponds to the width of the HR-OPTI facade system

## APPLICATION

- warning and decorative lighting

## MOUNTING

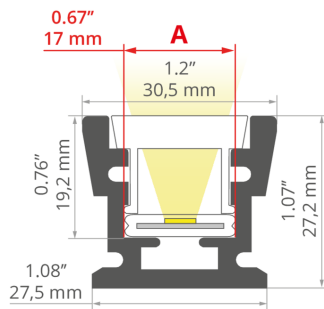
- in the ground, with mounting adhesive and a dedicated mounting track

## ADDITIONAL INFORMATION

- possibility of smooth transition from an in-ground into a facade lighting fixture
- use of clips facilitates the assembly of the lighting fixture
- compatible with a dedicated HR-MAX-T and HR-MAX-TW mounting tracks
- standard lengths of KLUŠ profiles and covers: 1000 mm (tolerance ± 1.5 mm) and 2005 mm / 3010 mm (tolerance + 5 mm); for selected covers: 6050 mm, 10050 mm (tolerance + 5 mm)
- when choosing a different length of profiles / covers than available in the standard, you should additionally choose the cutting service at KLUŠ

## TECHNICAL DRAWING

1:2



## TECHNICAL SPECIFICATIONS

Material	aluminum
Color	■ silver anodized
Possible fixture IP	20, 66, 67, 68
Possible fixture shapes	linear
Profile cross-section	rectangular
Width	1.2"
Height	1.1"
LED gluing width A	0.7"
Number of LED strips A (0.31" wide)	1
Width of the glow	22 mm
Max power of a single KLUŠ LED strip	4.7 W/ft
Corrosion resistance at high salinity	yes
Impact protection IK10	yes
Possibility of obtaining a line of light	yes
Building type	Outdoor, Commercial, Retail, Hotel / Restaurant
Facility zone	urban architecture, fascade lighting, wall lighting, green architecture

Length	Ref
39.4"	A01829A_1
78.9"	A01829A_2
118.5"	A01829A_3

# HR-MAX Extrusion

Ref. A01829

The cover is cut to the length of the profile	yes
Wire out back of extrusion	yes

## SAMPLE PROJECTS



## RELATED PROFILES > MOUNTING TRACKS



**HR-MAX-T**  
A01827



**HR-MAX-TW**  
A01828

## RELATED ACCESSORIES > COVERS

NAME	MATERIAL	MATERIAL TRANSMITTANCE	COLOR	REF.
HR-21 Cover	PMMA	55 %	frosted	B17152F
		92 %	semi-transparent	B17152T

## RELATED ACCESSORIES > END CAPS

NAME	MATERIAL	COLOR	REF.
End cap HR-MAX-STN	stainless steel	■ silver	C28020N00

RELATED ACCESSORIES > RELATED LED > CRI 95+

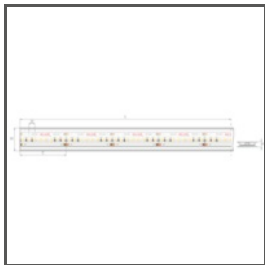


**KWP-14KCRHD-0530-24V**  
KWP-14KCRHD-0530-24V



**KWP-14KCRHD-1910-24V**  
KWP-14KCRHD-1910-24V

RELATED ACCESSORIES > RELATED LED > HIGH EFFICACY



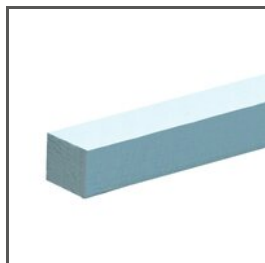
**KWP-14KHEHD-1440-24V**  
KWP-14KHEHD-1440-24V

---

RELATED ACCESSORIES > OTHER ACCESSORIES > ADDITIONAL ITEMS



HERMETIC COUPLER  
C28239C02



PAD  
**HR-MAX**  
Z70547

RELATED ACCESSORIES > OTHER ACCESSORIES > WATERPROOF BARREL CONNECTORS



ANGULAR GLAND  
**M16x1,5-L90**  
C28158C02