



ELT2

Elite Edge-Lit Exit Sign

DATE:

COMMENTS:

PROJECT



FEATURES

- Spec grade with a universal surface mount option for simplified installation.
- Premium long-life, high-temperature fused nickel cadmium battery with standard UL listed 3-hour run time.
- Standard battery diagnostic system monitors battery status, detects cell failure, and issues an alert when there's reduced capacity, indicating the need to replace the battery.
- Line-latch prevents unnecessary discharge of battery during installation. Loads will not illuminate until after application of utility power.
- Specialty wording, finish, and custom graphics available with white LEDs upon request (See ELTCG2).
- Low profile recessed housing is suitable for old or new work installations and is IC rated.
- Brownout detection ensures emergency operation during periods of low line voltage.
- Sealed external momentary test switch and dual diagnostic LED indicator displays AC presence and Hi-Charge status.
- Self-Test / Self-Diagnostic monitoring available.
- Zero current low-voltage disconnect used to prevent battery from being overly discharged.
- Slimline, low profile surface mount housing eliminates need for recessed box in wall mount applications.
- Unique electronic driver circuit provides current control and protection, ensuring optimum LED efficiency and life.
- 120/277 VAC with field selectable inputs (with the exception of the dual-circuit option which requires voltage specification upon ordering).
- Available in Master/Remote combinations (See ELTMR2).



ORDERING INFORMATION *ELT2-AC-G-1C-AG-BA-MB-AB*

1. SERIES	2. OPERATION	3. LETTER COLOR	4. FACE COUNT	5. FRAME STYLE	6. FRAME COLOR
ELT2	-	-	-	-	-
	AC AC Only EM Ni-Cad Battery Backup	G Green G8 Green 8" letter R Red R8 Red 8" letter	1C Single Face, Clear Background 1M Single Face, Mirror Background 1W Single Face, White Background 2M Double Face, Mirror Background 2W Double Face, White Background	AG Angular Trim FT Flat Trim ¹ <i>1. Only available with recessed mount.</i>	BA Brushed Aluminum BK Black BR Painted Brass WH White CC Custom Color

7. MOUNTING

MRC Recessed Ceiling Mount	MPB 24" Pendant Mount	MMT Mullion Mount Top
MT Top Mount	MPC 36" Pendant Mount	MMB Mullion Mount Bottom
MB Back Mount	MPD 48" Pendant Mount	MMR Mullion Mount Rear
ME End Mount / Side Mount	MPE 60" Pendant Mount	MRCLB Recessed Ceiling Mount, Preship Backbox²
MPA 12" Pendant Mount	MTEB Top / End / Back Mount	<i>2. Must Order ELT2-ACCY-RBB with MRCLB option</i>

8. CHEVRON

AB Double Arrow
AL Arrow Left
AN No Arrows
AR Arrow Right
AS Right & Left Arrow (Double Face Only)
AU Universal Chevron Kit

9. OPTIONS

BLANK = NO OPTION

CX Dual Circuit - Universal Voltage ³	FL Flasher
SD Self-Diagnostics (EM Only)	FA Fire Alarm Interface
SR Self-Diagnostics + IR Remote Testing Receiver (EM Only)	FLA Flasher / Audible Alarm
VF Other Input Voltage (Indicate Volt & Frequency)	FAA FA Option w/Audible Alarm
	LD Damp Location Listed

OW Old Work Clips ¹
CU Curved Panel
PV Inverted Legend

ORDERING NOTES

1. Only available with recessed mount
2. Must Order ELT2-ACCY-RBB with MRCLB option
3. Only available with AC only

ACCESSORIES ON BACK

ISOLITE • WWW.ISOLITE.COM

ISOLITE HEADQUARTERS • 800.888.5483 • 31 WATERLOO AVENUE, BERWYN, PA 19312
ISOLITE WEST • 800.799.5343 • 3563 SUELDO SUITE M, SAN LUIS OBISPO, CA 93401

D-7.2.3.0-234 • REV-20 • 20260107

SPECIFICATIONS AND DETAILS ARE SUBJECT TO CHANGE WITHOUT NOTIFICATION.
CONTACT ISOLITE FOR UP TO DATE DETAILS.



ACCESSORIES; ORDER SEPARATELY

- **ELT2-ACCY-RBB** = Recessed Backbox for ELT2
- **TLRT** = Handheld Remote Control Test Unit, used with SR option
- **WG-16.75LX13.3WX6.0D** = Wireguard, Length: 16.75", Width: 13.3", Depth: 6"

NOTE: Wireguards only available with Back Mount.

SPECIFICATIONS

CONSTRUCTION

- "Snap-in Lens" for easy installation.
- Recessed back box can be pre-installed at job site
- Precision die-cast aluminum housing with a flawless, laser-formed acrylic legend
- Hinged springs allow for concealed mounting hardware on recessed models
- Recessed back box meets New York specifications

INPUT POWER

- AC models: Red 1.5W; Green 2.3W
- EM models: Red 2.5W; Green 3.0W

LETTERS

- 6.0" high; 0.75" stroke

ARROWS

- Full Size Chevrons: Either factory installed, or self-adhesive chevron kit and template for on-site installation

WEIGHT

- Surface Wall/Ceiling/End/Mullion Mount: 9 lbs
- Recessed Ceiling: 8 lbs
- Back Box: 4 lbs

TEMPERATURE RATING

- From 32°F to 102°F

APPROVALS

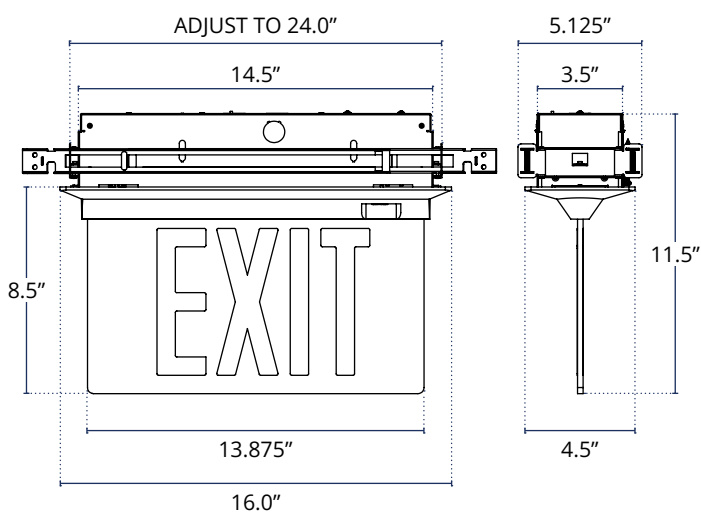
- UL 924
- CEC Title 20
- NFPA 101
- NFPA 70
- OSHA
- Backbox is IC rated and meets NYC and City of Chicago Specifications
- FCC Title 47 Part 15, Subpart B
- BAA Compliant

WARRANTY

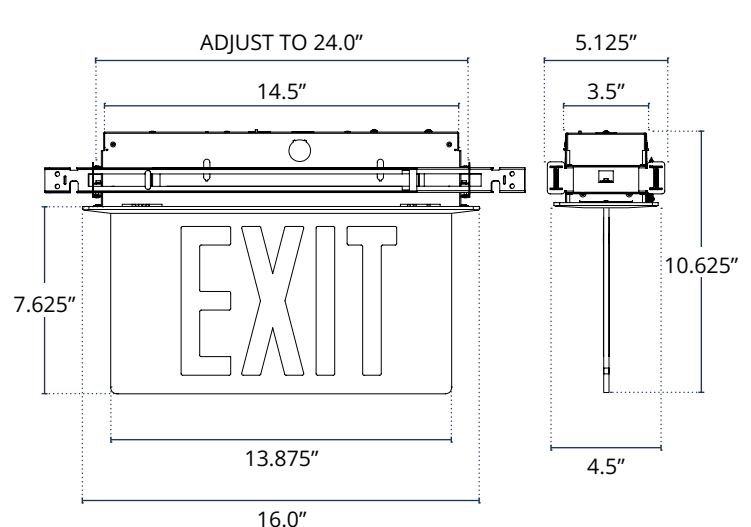
- Isolite offers a 5-year limited warranty. For further details, refer to General Warranty and Obligations in the Isolite manual or on our website

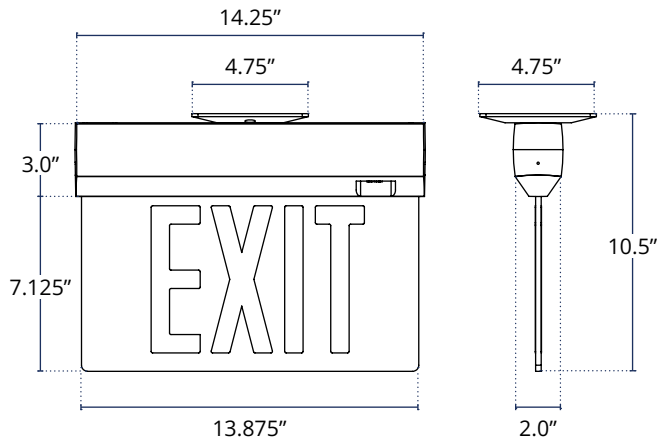
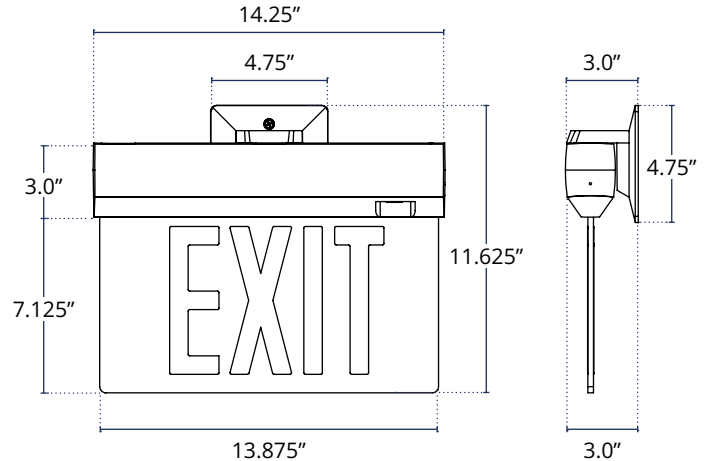
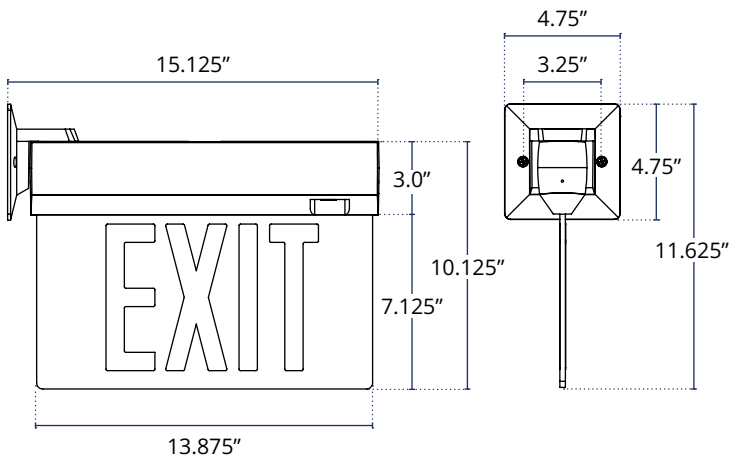
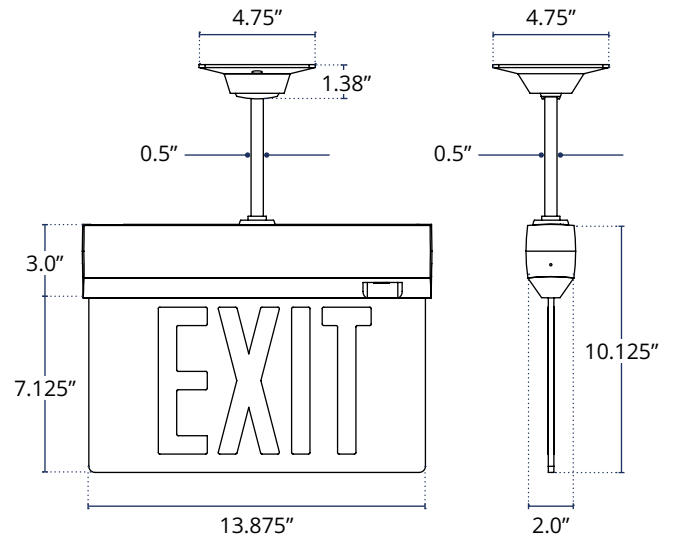
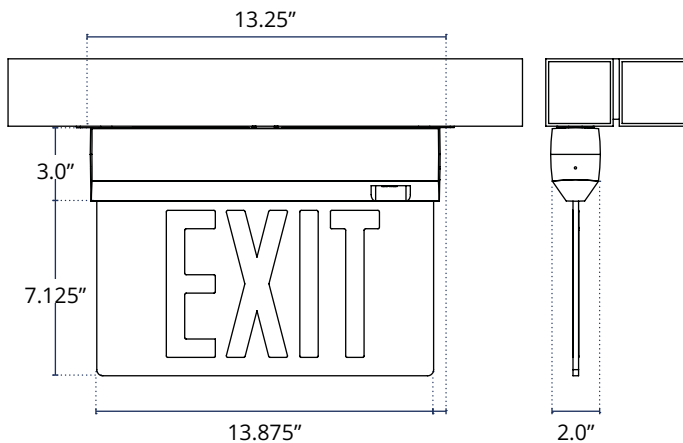
DIMENSIONS

ANGLED TRIM RECESSED MOUNT



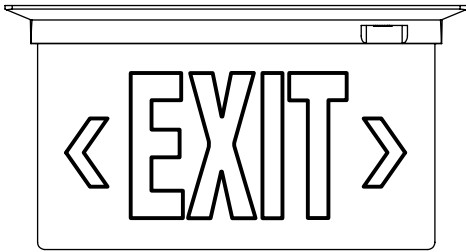
FLAT TRIM RECESSED MOUNT



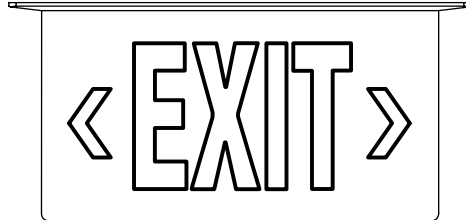

DIMENSIONS (CONTINUED)
TOP MOUNT

BACK MOUNT

END / SIDE MOUNT

PENDANT MOUNT

MULLION MOUNT TOP

MULLION MOUNT BOTTOM



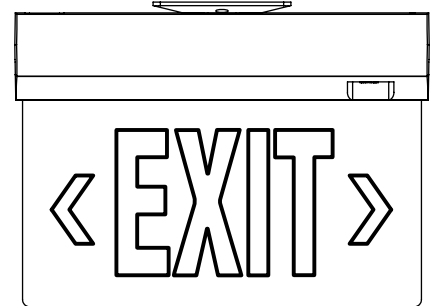
MOUNTING CONFIGURATION



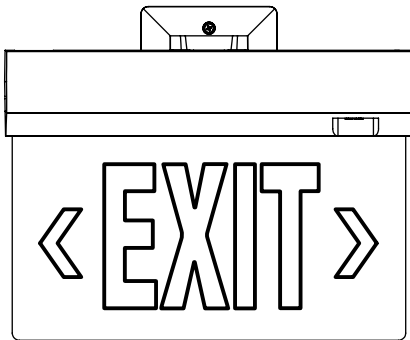
Angled Trim Mount
(Recessed Only)



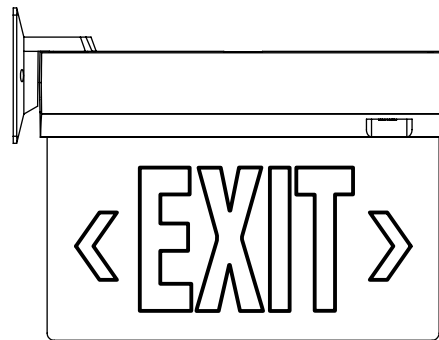
Flat Trim Mount
(Recessed Only)



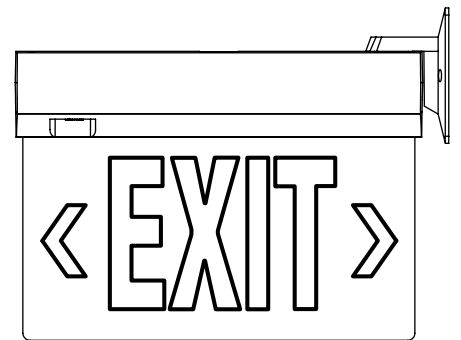
Top Mount
(Surface Only)



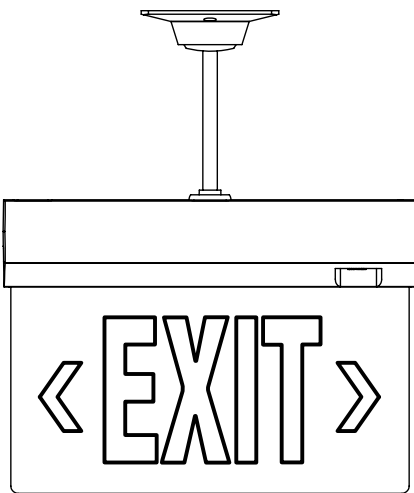
Back Mount
(Surface Only)



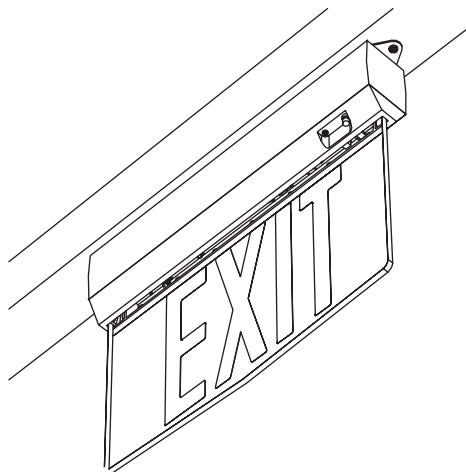
End/Side Mount - Left
(Surface Only)



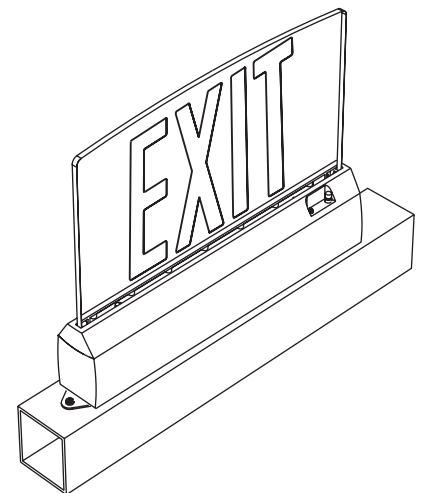
End/Side Mount - Right
(Surface Only)



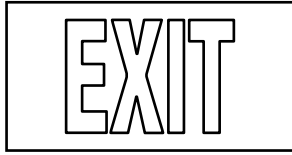
Pendant Mount



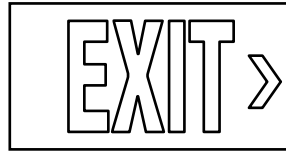
Mullion Mount Top
(MMT)



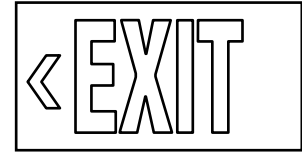
Mullion Mount Bottom
(MMB)


CHEVRON DECODER


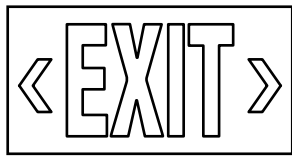
No Arrows (AN)



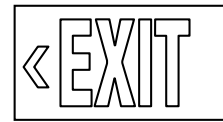
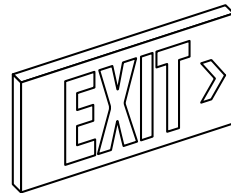
Arrow Right (AR)



Arrow Left (AL)



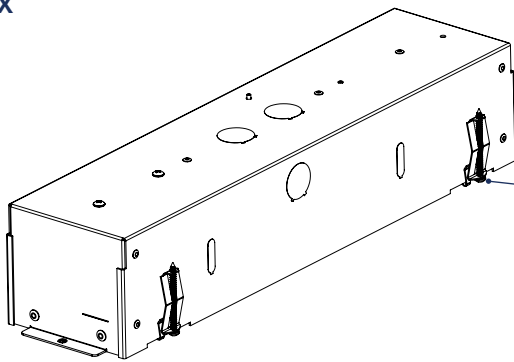
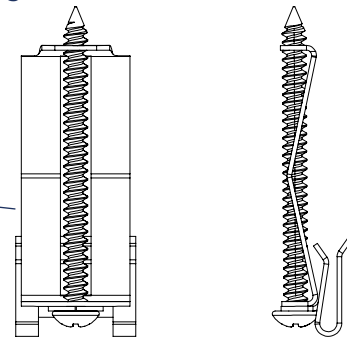
Double Arrow (AB)



SIDE A



SIDE B

 Left & Right Arrow (AS)
Double Face Only
OLD WORK CLIPS (OW)
BACK BOX

BACK BOX CLIPS

OLD TO NEW PANEL REPLACEMENT FOR ELT

FROM	TO									
	ELT 1C	ELT 1M	ELT 1W	ELT 2M	ELT 2W	ELT2 1C	ELT2 1M	ELT2 1W	ELT2 2M	ELT2 2W
ELT 1C		No	No	No	No	Yes	Yes	Yes	Yes	Yes
ELT 1M	No		Yes	Yes	Yes	No	No	No	No	No
ELT 1W	No	Yes		Yes	Yes	No	No	No	No	No
ELT 2M	No	Yes	Yes		Yes	No	No	No	No	No
ELT 2W	No	Yes	Yes	Yes		No	No	No	No	No
ELT2 1C	Yes	No	No	No	No		Yes	Yes	Yes	Yes
ELT2 1M	Yes	No	No	No	No	Yes		Yes	Yes	Yes
ELT2 1W	Yes	No	No	No	No	Yes	Yes		Yes	Yes
ELT2 2M	Yes	No	No	No	No	Yes	Yes	Yes		Yes
ELT2 2W	Yes	No	No	No	No	Yes	Yes	Yes	Yes	

ELT2 MOUNTING REPLACEMENTS

FROM	SURFACE BACK/WALL	SURFACE TOP/CEILING	SURFACE END/FLAG	NOTES
SURFACE BACK/WALL		Yes	Yes	Remove gooseneck from canopy to ceiling mount
SURFACE TOP/CEILING	No		No	Requires gooseneck kit
SURFACE END/FLAG	Yes	Yes		Remove gooseneck from canopy to ceiling mount