

## BUG

High Performance LED Emergency Light

DATE:

COMMENTS:

PROJECT



### FEATURES

- CEC Title 20 Compliant.
- BUG3: 2 adjustable lamp heads with (3) 1 Watt LEDs producing 300 lumens/head (600 lumens total).
- BUG6: 2 adjustable lamp heads with (3) 2 Watt LEDs producing 650 lumens/head (1300 lumens total).
- Brownout detection ensures emergency operation during periods of low line voltage.
- Simple, snap-fit assembly and canopy with knockout mounting pattern on back plate and top conduit entry for easy installation.
- Optional full Self Diagnostics available - performs monthly test and continuously monitors unit status.
- Push-to-test switch and LED AC status indicator are used for manual testing.
- 120/277 VAC with field selectable inputs.
- Line latch prevents unnecessary discharge of battery during installation. Loads will not illuminate until after application of utility power.
- Low voltage disconnect prevents battery damage and ensures positive charge after extended discharge.
- Listed for indoor damp locations.
- Eco-friendly, long life, high performance lithium iron phosphate battery allows for 90 minutes of emergency run-time.



CEC Title 20



### NOTES

- SD only available with WH Housing.
- EB cannot be specified with SD option.
- If using the remote capacity option (EB) without any remote lamp heads attached, the base unit run time is extended to greater than 2 hours.
- VRWP is designed for use in NEMA 4X or wet locations, IP65 rated.

### ORDERING INFORMATION *BUG-3W-WH-MB*

<b>BUG-3W-WH-MB</b>	BUG High Performance LED Emergency Light, 3W, White, Back Mount
<b>BUG-3W-WH-MB-EB</b>	BUG High Performance LED Emergency Light, 3W, White, Back Mount - 5.4W Remote Capacity <sup>1,2</sup>
<b>BUG-3W-WH-MB-SD</b>	BUG High Performance LED Emergency Light, 3W, White, Back Mount - Self Diagnostic <sup>3</sup>
<b>BUG-6W-WH-MB</b>	BUG High Performance LED Emergency Light, 6W, White, Back Mount
<b>BUG-6W-WH-MB-SD</b>	BUG High Performance LED Emergency Light, 6W, White, Back Mount - Self Diagnostic <sup>3</sup>
<b>BUG-6W-BK-MB</b>	BUG High Performance LED Emergency Light, 6W, Black <sup>4</sup> , Back Mount

### ORDERING NOTES

1. Compatible with MVH remote heads
2. When using the remote capacity option (EB) without any remote lamp heads attached, the base unit run time is extended to greater than 2 hours.
3. Self-diagnostics (SD) not available with remote capacity (EB)
4. Self-diagnostics (SD) and remote capacity (EB) not available with Black Finish

### ACCESSORIES; ORDER SEPARATELY

- **BUG-ACCY-VRS** = Vandal Shield
- **BUG-ACCY-CANOPY** = Top Mount Canopy
- **Remote Heads** = See MVH
- **WG-16.75LX13.3WX6.0D** = Wireguard, Length: 16.75", Width: 13.3", Depth: 6"
- **VRWP** = Wet Location Vandal Resistant Shield

**SPECIFICATIONS**
**CONSTRUCTION**

- 5VA flame rated, injection molded ABS thermoplastic housing.
- Extruded aluminum LED heat sinks for optimal LED operation and long life.

**TEMPERATURE RATING**

- From 50°F to 104°F (10°C to 40°C)

**WEIGHT**

- 4 lbs. (options depending)

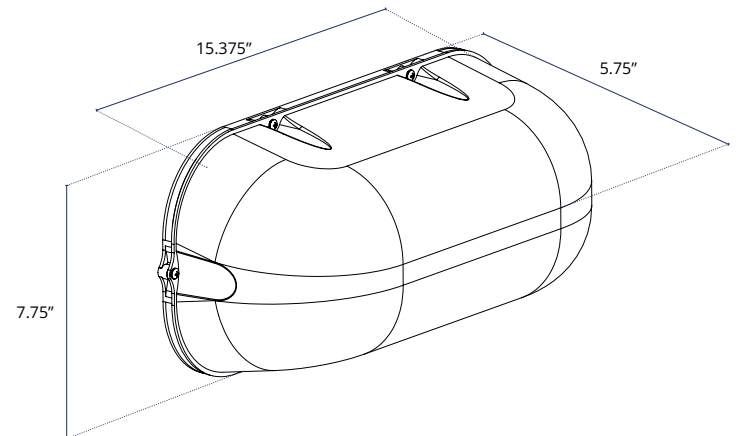
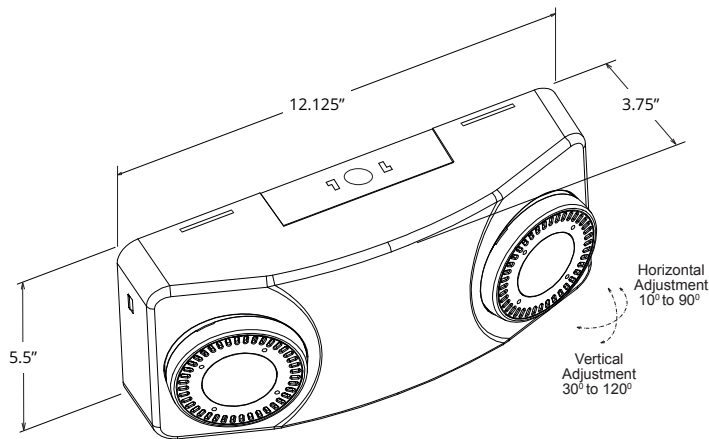
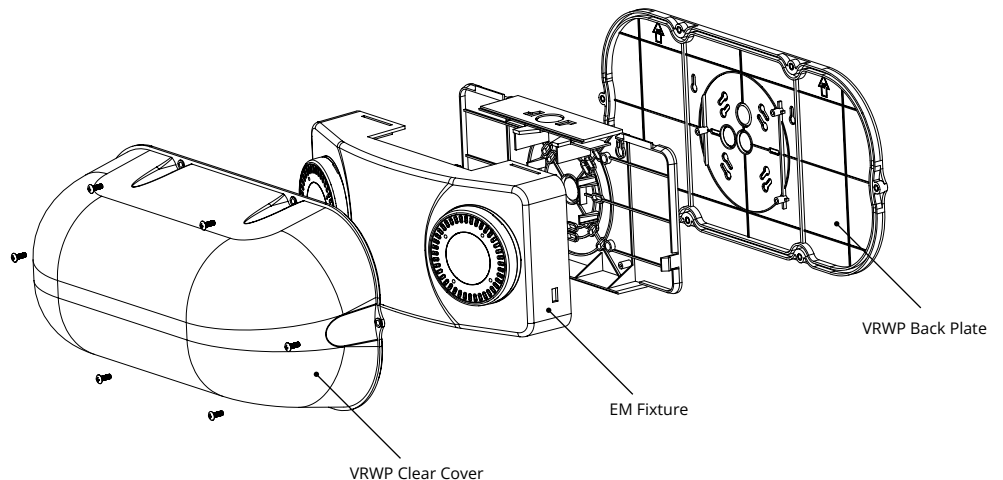
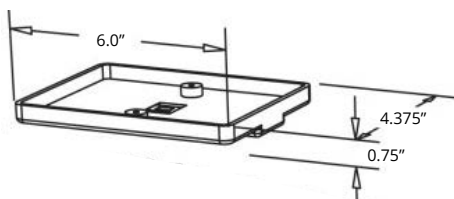
**APPROVALS**

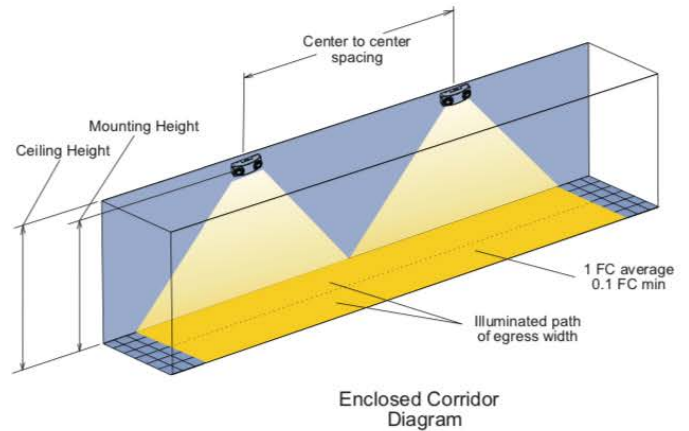
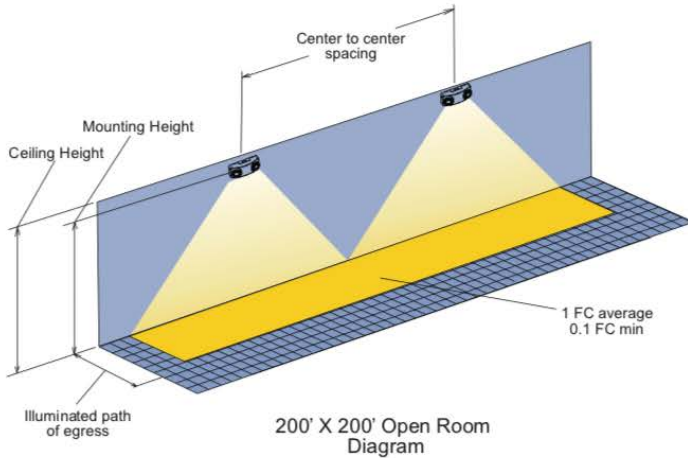
- UL924
- UL Listed for Damp Location
- CEC Title 20 Compliant
- NFPA 101 Life Safety Code

- NFPA 70-NEC
- OSHA

**WARRANTY**

- Isolite offers a 5-year limited warranty. For further details, refer to General Warranty and Obligations in the Isolite manual or on our website. Lamps not warranted.

**DIMENSIONS**
**BUG**
**VRWP: WET LOCATION RESISTANT VANDAL SHIELD**

**BUG-ACCY-CANOPY DIMENSIONS**
**DRAWING**


**BUG HIGH PERFORMANCE LED EMERGENCY LIGHT**

**MULTIPLE UNIT MAXIMUM SPACING GUIDELINES (IN FT)**

200 X 200' OPEN ROOM									
BUG3 - 600 LUMENS					BUG6 - 1300 LUMENS				
MOUNTING HEIGHT	CEILING HEIGHT	SPACING (CENTER TO CENTER)	AVERAGE (≥ 1.0FC)	UNIFORMITY RATIO MAX / MIN (≤ 40:1)	MOUNTING HEIGHT	CEILING HEIGHT	SPACING (CENTER TO CENTER)	AVERAGE (≥ 1.0FC)	UNIFORMITY RATIO MAX / MIN (≤ 40:1)
7.5	9	70	1.00	37.77	7.5	9	100	1.07	38.80
9	11	61	1.02	38.70	9	11	98	1.07	39.00
10	12	60	1.01	39.50	10	12	96	1.01	33.24
12	14	45	1.06	38.67	12	14	84	1.00	39.31
14	16	44	1.01	34.91	14	16	58	1.05	34.25
16	18	42	1.03	32.18	16	18	58	1.02	38.36

6' WIDE ENCLOSED CORRIDOR W/ 6' PATH OF EGRESS									
BUG3 - 600 LUMENS					BUG6 - 1300 LUMENS				
MOUNTING HEIGHT	CEILING HEIGHT	SPACING (CENTER TO CENTER)	AVERAGE (≥ 1.0FC)	UNIFORMITY RATIO MAX / MIN (≤ 40:1)	MOUNTING HEIGHT	CEILING HEIGHT	SPACING (CENTER TO CENTER)	AVERAGE (≥ 1.0FC)	UNIFORMITY RATIO MAX / MIN (≤ 40:1)
7.5	9	75	1.02	38.85	7.5	9	114	1.01	37.31
9	11	73	1.03	39.50	9	11	112	1.00	38.79
10	12	71	1.04	33.31	10	12	109	1.02	38.60
12	14	68	1.01	34.93	12	14	105	1.05	39.81
14	16	63	1.01	36.76	14	16	105	1.00	37.59
16	18	57	1.00	37.55	16	18	101	1.01	38.78

6' WIDE ENCLOSED CORRIDOR W/ 3' PATH OF EGRESS									
BUG3 - 600 LUMENS					BUG6 - 1300 LUMENS				
MOUNTING HEIGHT	CEILING HEIGHT	SPACING (CENTER TO CENTER)	AVERAGE (≥ 1.0FC)	UNIFORMITY RATIO MAX / MIN (≤ 40:1)	MOUNTING HEIGHT	CEILING HEIGHT	SPACING (CENTER TO CENTER)	AVERAGE (≥ 1.0FC)	UNIFORMITY RATIO MAX / MIN (≤ 40:1)
7.5	9	83	1.02	38.08	7.5	9	117	1.06	38.92
9	11	81	1.03	34.23	9	11	113	1.05	38.50
10	12	79	1.01	32.21	10	12	111	1.05	39.86
12	14	77	1.01	32.53	12	14	108	1.04	39.73
14	16	71	1.01	37.15	14	16	104	1.05	39.63
16	18	63	1.00	38.91	16	18	101	1.04	39.00