



ELT2

Elite Edge-Lit Exit Sign

DATE:

COMMENTS:

PROJECT



FEATURES

- Spec grade with a universal surface mount option for simplified installation.
- Premium long-life, high-temperature fused nickel cadmium battery with standard UL listed 3-hour run time.
- Standard battery diagnostic system monitors battery status, detects cell failure, and issues an alert when there's reduced capacity, indicating the need to replace the battery.
- Line-latch prevents unnecessary discharge of battery during installation. Loads will not illuminate until after application of utility power.
- Specialty wording, finish, and custom graphics available with white LEDs upon request (See ELTCG2).
- Low profile recessed housing is suitable for old or new work installations and is IC rated.
- Brownout detection ensures emergency operation during periods of low line voltage.
- Sealed external momentary test switch and dual diagnostic LED indicator displays AC presence and Hi-Charge status.
- Self-Test / Self-Diagnostic monitoring available.
- Zero current low-voltage disconnect used to prevent battery from being overly discharged.
- Slimline, low profile surface mount housing eliminates need for recessed box in wall mount applications.
- Unique electronic driver circuit provides current control and protection, ensuring optimum LED efficiency and life.
- 120/277 VAC with field selectable inputs (with the exception of the dual-circuit option which requires voltage specification upon ordering).
- Available in Master/Remote combinations (See ELTMR2).



ORDERING INFORMATION *ELT2-AC-G-1C-AG-BA-MB-AB*

| 1. SERIES | 2. OPERATION | 3. LETTER COLOR | 4. FACE COUNT | 5. FRAME STYLE | 6. FRAME COLOR |
|-------------|--|--|--|---|--|
| ELT2 | - | - | - | - | - |
| | AC AC Only EM Ni-Cad Battery Backup | G Green G8 Green 8" letter R Red R8 Red 8" letter | 1C Single Face, Clear Background 1M Single Face, Mirror Background 1W Single Face, White Background 2M Double Face, Mirror Background 2W Double Face, White Background | AG Angular Trim FT Flat Trim ¹ <i>1. Only available with recessed mount.</i> | BA Brushed Aluminum BK Black BR Painted Brass WH White CC Custom Color |

7. MOUNTING

| | | |
|----------------------------|-----------------------------|--|
| MRC Recessed Ceiling Mount | MPB 24" Pendant Mount | MMT Mullion Mount Top |
| MT Top Mount | MPC 36" Pendant Mount | MMB Mullion Mount Bottom |
| MB Back Mount | MPD 48" Pendant Mount | MMR Mullion Mount Rear |
| ME End Mount / Side Mount | MPE 60" Pendant Mount | MRCLB Recessed Ceiling Mount, Preship Backbox² |
| MPA 12" Pendant Mount | MTEB Top / End / Back Mount | <i>2. Must Order ELT2-ACCY-RBB with MRCLB option</i> |

8. CHEVRON

| |
|--|
| AB Double Arrow |
| AL Arrow Left |
| AN No Arrows |
| AR Arrow Right |
| AS Right & Left Arrow (Double Face Only) |
| AU Universal Chevron Kit |

9. OPTIONS

BLANK = NO OPTION

| | |
|--|-------------------------------|
| CX Dual Circuit - Universal Voltage ³ | FL Flasher |
| SD Self-Diagnostics (EM Only) | FA Fire Alarm Interface |
| SR Self-Diagnostics + IR Remote Testing Receiver (EM Only) | FLA Flasher / Audible Alarm |
| VF Other Input Voltage (Indicate Volt & Frequency) | FAA FA Option w/Audible Alarm |
| | LD Damp Location Listed |

| |
|--------------------------------|
| OW Old Work Clips ¹ |
| CU Curved Panel |
| PV Inverted Legend |

ORDERING NOTES

1. Only available with recessed mount
2. Must Order ELT2-ACCY-RBB with MRCLB option
3. Only available with AC only

ACCESSORIES ON BACK

ISOLITE • WWW.ISOLITE.COM

ISOLITE HEADQUARTERS • 800.888.5483 • 31 WATERLOO AVENUE, BERWYN, PA 19312
ISOLITE WEST • 800.799.5343 • 3563 SUELDO SUITE M, SAN LUIS OBISPO, CA 93401

D-7.2.3.0-234 • REV-21 • 20260128
SPECIFICATIONS AND DETAILS ARE SUBJECT TO CHANGE WITHOUT NOTIFICATION.
CONTACT ISOLITE FOR UP TO DATE DETAILS.


ACCESSORIES; ORDER SEPARATELY

- **ELT2-ACCY-RBB** = Recessed Backbox for ELT2
- **TLRT** = Handheld Remote Control Test Unit, used with SR option
- **WG-16.75LX13.3WX6.0D** = Wireguard, Length: 16.75", Width: 13.3", Depth: 6"

NOTE: Wireguards only available with Back Mount.

SPECIFICATIONS
CONSTRUCTION

- "Snap-in Lens" for easy installation.
- Recessed back box can be pre-installed at job site
- Precision die-cast aluminum housing with a flawless, laser-formed acrylic legend
- Hinged springs allow for concealed mounting hardware on recessed models
- Recessed back box meets New York specifications

INPUT POWER

- AC models: Red 1.5W; Green 2.3W
- EM models: Red 2.5W; Green 3.0W

LETTERS

- 6.0" high; 0.75" stroke

ARROWS

- Full Size Chevrons: Either factory installed, or self-adhesive chevron kit and template for on-site installation

WEIGHT

- Surface Wall/Ceiling/End/Mullion Mount: 9 lbs
- Recessed Ceiling: 8 lbs
- Back Box: 4 lbs

TEMPERATURE RATING

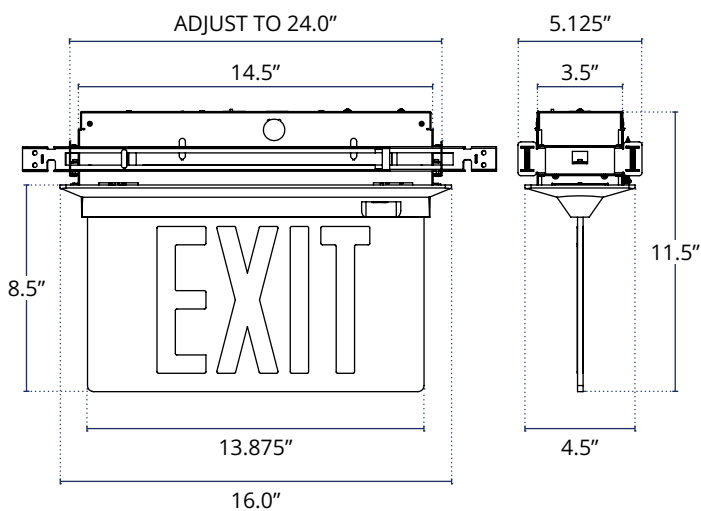
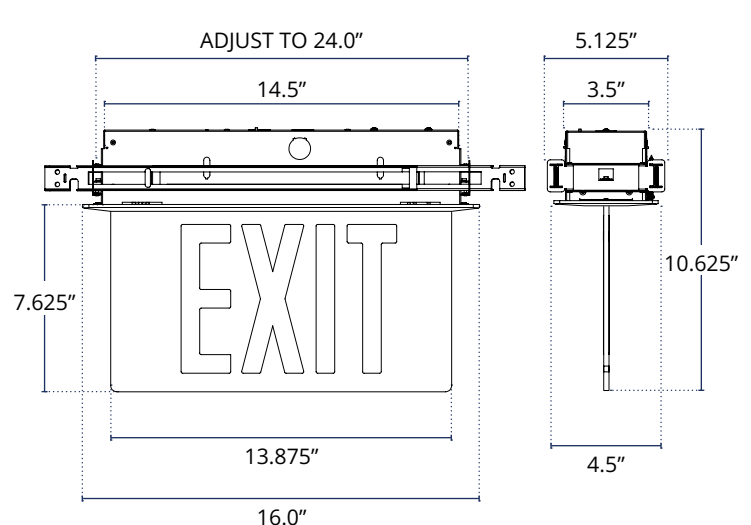
- From 32°F to 102°F

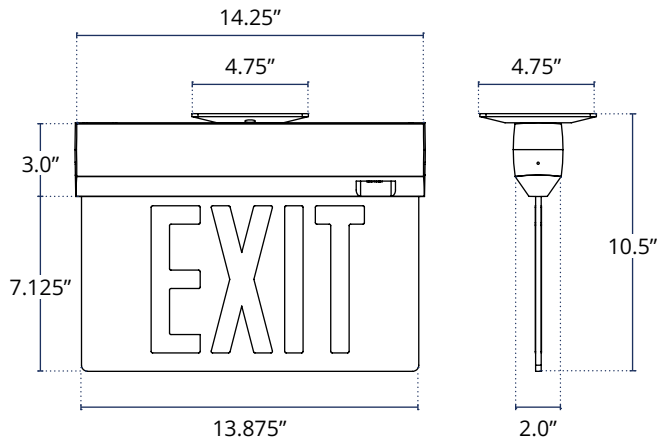
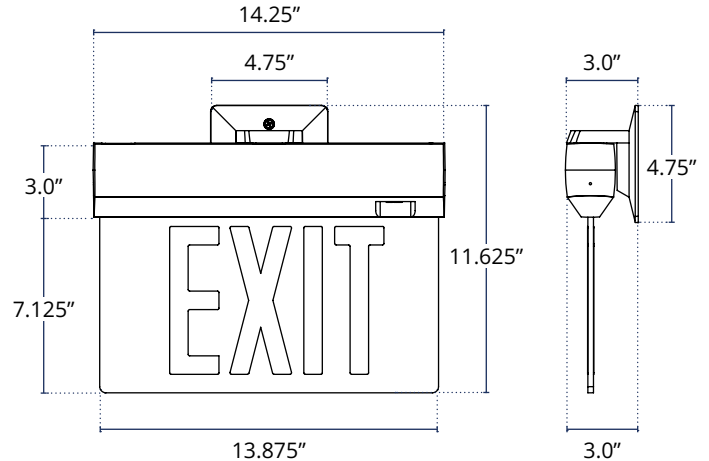
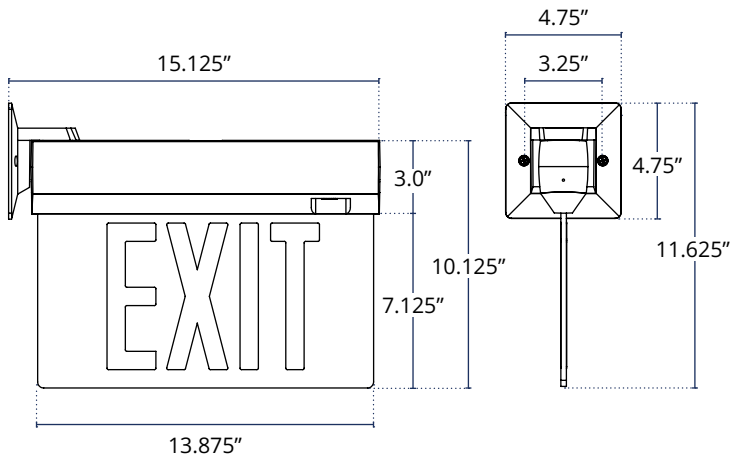
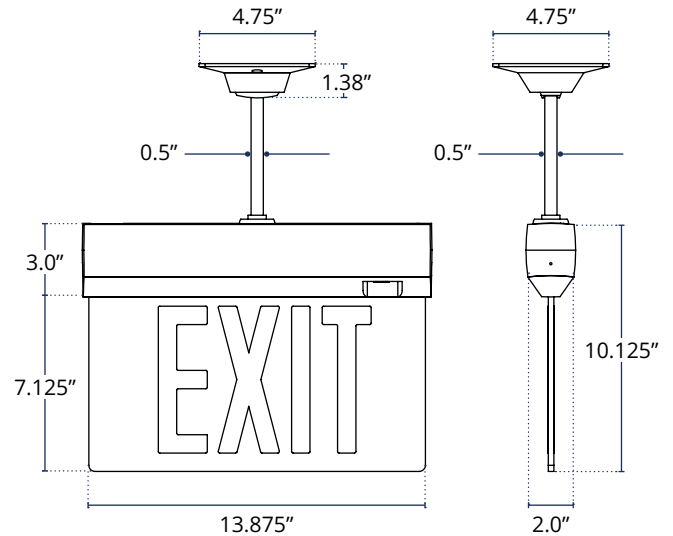
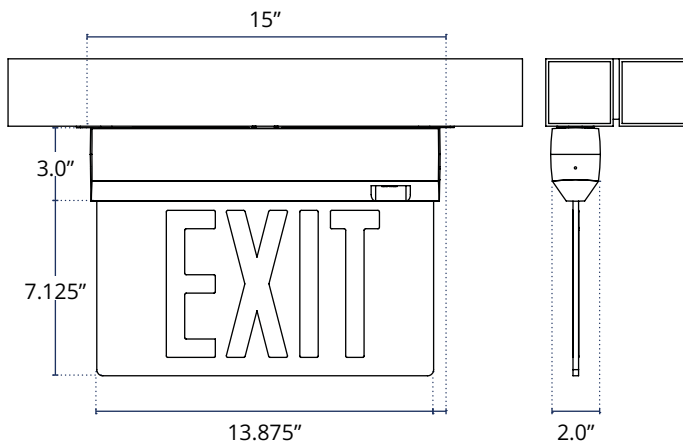
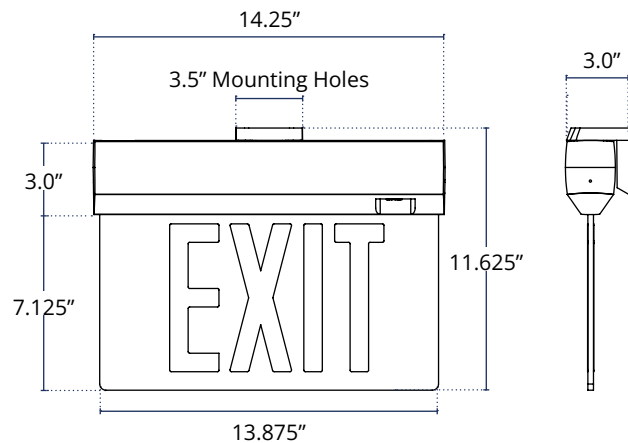
APPROVALS

- UL 924
- CEC Title 20
- NFPA 101
- NFPA 70
- OSHA
- Backbox is IC rated and meets NYC and City of Chicago Specifications
- FCC Title 47 Part 15, Subpart B
- BAA Compliant

WARRANTY

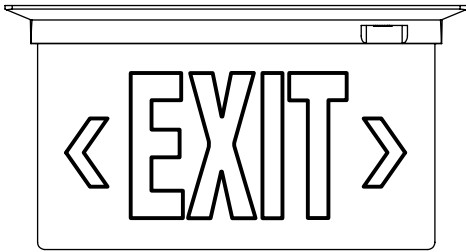
- Isolite offers a 5-year limited warranty. For further details, refer to General Warranty and Obligations in the Isolite manual or on our website

DIMENSIONS
ANGLED TRIM RECESSED MOUNT

FLAT TRIM RECESSED MOUNT


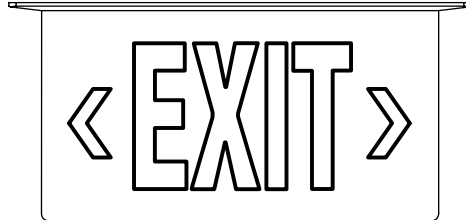

DIMENSIONS (CONTINUED)
TOP MOUNT

BACK MOUNT

END / SIDE MOUNT

PENDANT MOUNT

MULLION MOUNT TOP/BOTTOM

MULLION MOUNT REAR




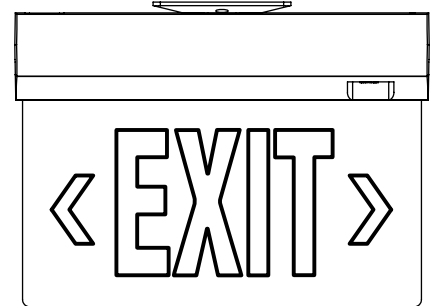
MOUNTING CONFIGURATION



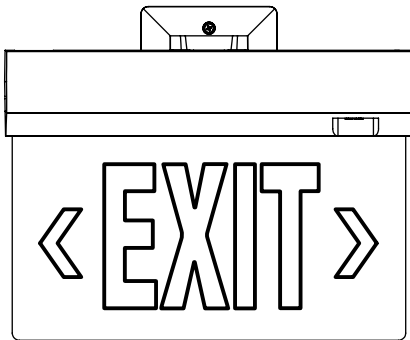
Angled Trim Mount
(Recessed Only)



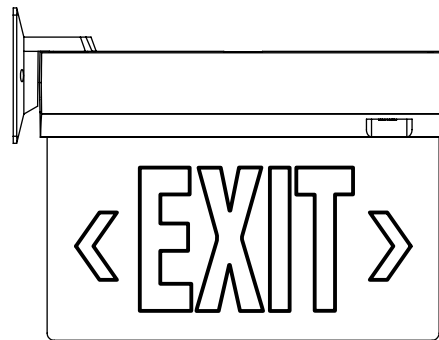
Flat Trim Mount
(Recessed Only)



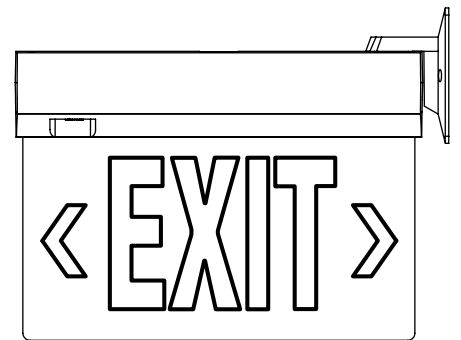
Top Mount
(Surface Only)



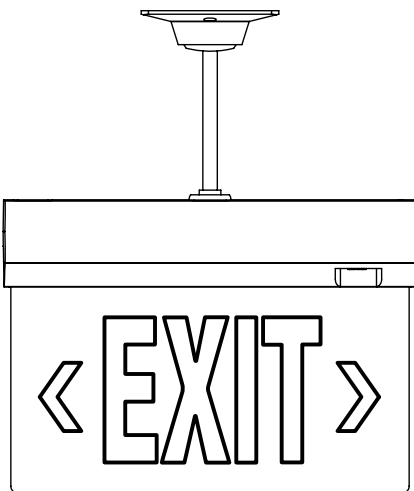
Back Mount
(Surface Only)



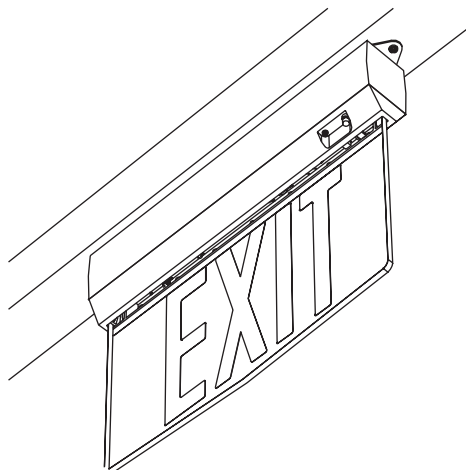
End/Side Mount - Left
(Surface Only)



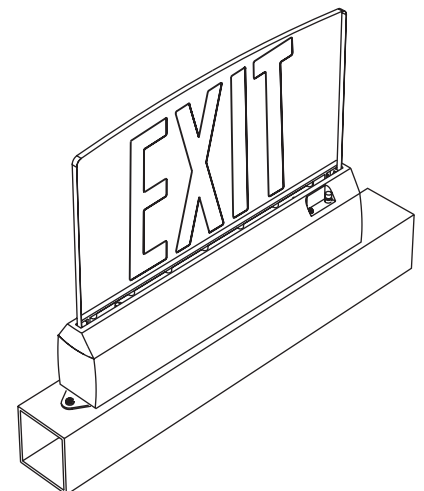
End/Side Mount - Right
(Surface Only)



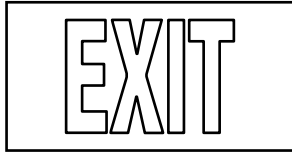
Pendant Mount



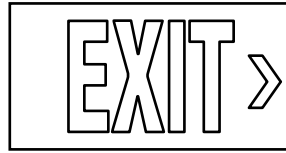
Mullion Mount Top
(MMT)



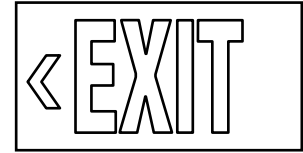
Mullion Mount Bottom
(MMB)


CHEVRON DECODER


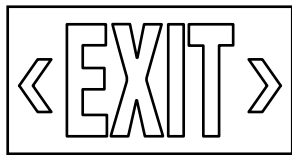
No Arrows (AN)



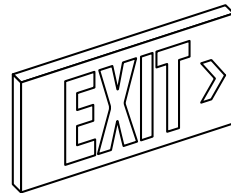
Arrow Right (AR)



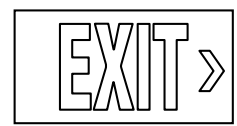
Arrow Left (AL)



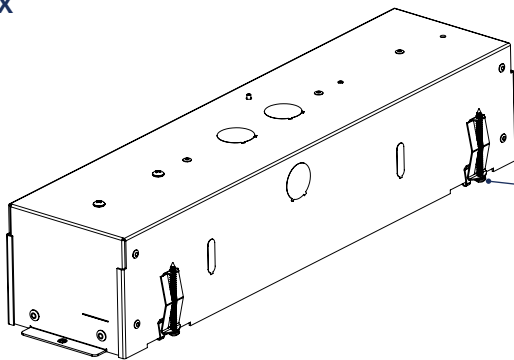
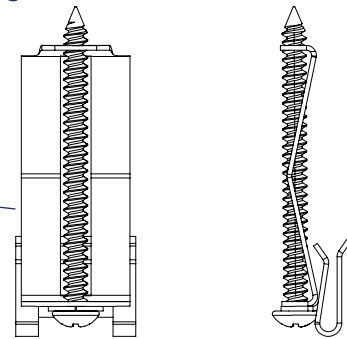
Double Arrow (AB)



SIDE A



SIDE B

 Left & Right Arrow (AS)
Double Face Only
OLD WORK CLIPS (OW)
BACK BOX

BACK BOX CLIPS

OLD TO NEW PANEL REPLACEMENT FOR ELT

| FROM | TO | | | | | | | | | |
|---------|--------|--------|--------|--------|--------|---------|---------|---------|---------|---------|
| | ELT 1C | ELT 1M | ELT 1W | ELT 2M | ELT 2W | ELT2 1C | ELT2 1M | ELT2 1W | ELT2 2M | ELT2 2W |
| ELT 1C | | No | No | No | No | Yes | Yes | Yes | Yes | Yes |
| ELT 1M | No | | Yes | Yes | Yes | No | No | No | No | No |
| ELT 1W | No | Yes | | Yes | Yes | No | No | No | No | No |
| ELT 2M | No | Yes | Yes | | Yes | No | No | No | No | No |
| ELT 2W | No | Yes | Yes | Yes | | No | No | No | No | No |
| ELT2 1C | Yes | No | No | No | No | | Yes | Yes | Yes | Yes |
| ELT2 1M | Yes | No | No | No | No | Yes | | Yes | Yes | Yes |
| ELT2 1W | Yes | No | No | No | No | Yes | Yes | | Yes | Yes |
| ELT2 2M | Yes | No | No | No | No | Yes | Yes | Yes | | Yes |
| ELT2 2W | Yes | No | No | No | No | Yes | Yes | Yes | Yes | |

ELT2 MOUNTING REPLACEMENTS

| FROM | SURFACE BACK/WALL | SURFACE TOP/CEILING | SURFACE END/FLAG | NOTES |
|---------------------|-------------------|---------------------|------------------|---|
| SURFACE BACK/WALL | | Yes | Yes | Remove gooseneck from canopy to ceiling mount |
| SURFACE TOP/CEILING | No | | No | Requires gooseneck kit |
| SURFACE END/FLAG | Yes | Yes | | Remove gooseneck from canopy to ceiling mount |