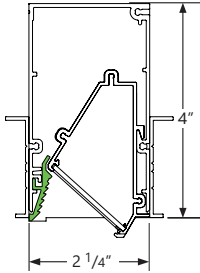


Project _____

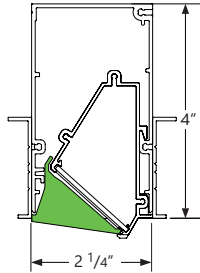
Type _____

Notes _____

The louver option provides lengthwise shielding.



Shown with MAL



Shown with LOUVER

PERFORMANCE PER LINEAR FOOT AT 3500K

NOMINAL LUMEN OUTPUT	INPUT WATTS*	EFFICACY
375 lm/ft	4.5 W/ft	84 lm/W
400 lm/ft	4.9 W/ft	82 lm/W
500 lm/ft	6 W/ft	83 lm/W
750 lm/ft	9.1 W/ft	83 lm/W
1000 lm/ft	12.7 W/ft	79 lm/W

Please consult factory for custom lumen output and wattage.



Ordering Guide

WWR		SL		NOM. LUMENS/FT		CRI		COLOR TEMP.		SHIELDING		LENGTH (FT)	
PRODUCT ID	LIGHT ENGINE												
WWR Wall Wash Recessed SurroundLite	SL SurroundLite	375	375 lm/ft - Min	80	80 CRI	27	2700 K	TW2750	2700-5000 K	MAL	microgroove aluminum* (standard)	1	1' nominal*
		1000	1000 lm/ft* - Max	90	90 CRI	30	3000 K		Tunable White*	L	black louver**	2	2'
						35	3500 K					3	3'
						40	4000 K					4	4'
												5	5'
												6	6'
												8	8'
												12	12'
												S#	system run

* Louver not available for outputs above 500 lm/ft. Outputs between listed min and max are available. Consult factory for outputs outside of the listed range.

[Consult Axitune technical sheet for more information of color technology.](#)
* Min length of 4 ft required.

* Standard black
** Louver not available for outputs above 500 lm/ft.

* Consult factory.

FINISH	VOLTAGE	DRIVER	CIRCUITS	MOUNTING
W white	120 120 V	DP dimming (0-10V) 1%	1 1 circuit	TB9 t-bar 9/16"
BLK black	277 277 V	LT(#) Lutron*	2 2 circuits	TB15 t-bar 15/16"
C custom	347 347 V	BI bi-level dimming	+E(#) emergency circuit *	ST screw slot t-bar
	UNV universal	O(#) other**		TG9 regular 9/16"
	DC low voltage*	TW(#) tunable white drivers*		TG15 regular 15/16"
		POE(#) POE drivers*		DF drywall flange
				D drywall flangeless
				DB slip-through bracket
				DS drywall spackle flange

* Only available with POE drivers.

*See page 2 to specify system
**Please consult factory; see page 2

* Specify quantity

BATTERY (OPTIONAL)	OTHER (OPTIONAL)	CUSTOM (OPTIONAL)
B(#) battery pack (integral)	F fuse * FW(#) flex whip (6' std) CP Chicago plenum HD hold-down clip	C custom

Not available with 347V. Minimum 4ft; please consult factory

* Requires 120V or 277V

Please specify. Consult factory for combinations of wall wash perfekt and Beam 2.

● CONSTRUCTION

Housing	Extruded aluminum (0.060" nominal) Up to 70% recycled content
T-Bar Bracket	Die formed sheet steel (22 gauge)
Screw Slot T-Bar Bracket	Die formed sheet steel (22 gauge)
Slip-Through Bracket	Die formed sheet steel (18 gauge)
Spackle Flange	Die formed perforated sheet steel (20 gauge)
Flange	Extruded aluminum (0.065" nominal) Visible flange width: 9/16"
Interior Brackets	Die formed sheet steel (24 gauge)
Reflectors	Specular aluminum
Blank	Extruded aluminum (0.075" nominal)
Lens	Acrylic with Microtek detail

● ELECTRICAL

Lutron driver*	LDE1 - Hi-lume 1% EcoSystem with Soft-on, Fade-to-Black LTEA - Hi-lume 1% 2-wire (120V forward phase only) *Consult factory
-----------------------	---

Other drivers**	DALI - Digital Addressable Lighting Interface DMX - Digital Multiplex Xitanium SR - For wireless sensor
------------------------	---

Tunable White TW drivers*	DALIDT6 - DALI Type 6 (Two DALI Addresses) DALIDT8 - DALI Type 8 (One DALI Address) LTTW - Lutron T-Series Tunable White
----------------------------------	--

Power over Ethernet POE drivers*	MOLEX IGOR SMARTENGINE O - Other (Consult factory)
UL2108 certified for integral or remote driver	

Emergency	Integral emergency battery pack or emergency circuit optional.
------------------	--

Input Voltage	120V, 277V, 347V, UNV, DC.
Flex Whip	Shipped in a separate box for contractors to install

*Choose driver from available options.

i Incorporating these components may have limitations or affect the length of the luminaire. Please contact factory for more details.

● LED SYSTEM

CRI	Minimum 80 or 90 color rendering index.
CCT Single Color	Choice of 2700K, 3000K, 3500K and 4000K color temperature with a great color consistency (within 3-step MacAdam ellipse). Both within fixture and fixture to fixture.
CCT Axitune Systems	Consult Axitune technical sheet for more information on color technology.
LED life	Minimum 50,000h with 85% of lumen maintenance in 25°C ambient temperature, in compliance with IES LM-80 testing measurements.
Thermal Management	Aluminum housing acting as the heat sink to maximize life.
Environment	Dry and damp rated in operating ambient temperatures of 0-40°C (32-104F).

● OPTICS

Optics	Patent pending vertical light guide optical system
Light guide	
Trim	Black multigroove linear trim
Louver (optional)	Black deep lengthwise shielding louver
Microgroove Aluminum	Black painted aluminum material



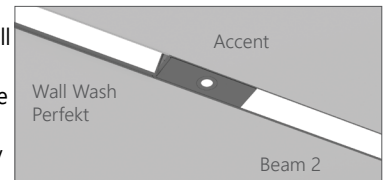
MAL - Microgroove Aluminum



L - Louvered Microgroove Aluminum

● OPTIONAL SYSTEMS WITH BEAM 2

Wall Wash Perfekt can be combined with Beam 2. Wall Wash Perfekt is the same width as Beam 2 and can be joined for a combination of both systems. Please specify the Beam 2 fixtures in the system separately.



Runs can accommodate Beam 2 lens and accent modules (order separately).

● APPROVALS

Certified to UL and CSA standards
Meets NYC requirements
Meets CCEC requirements (Chicago plenum)
Suitable for damp locations
IC Rated (Insulated ceiling)



● WARRANTY

Axis Lighting will warrant defective LEDs, boards, and drivers for 5 years from date of purchase. Warranty is valid if luminaire is installed and used according to specifications. If defective, Axis will send replacement boards or drivers at no cost along with detailed replacement instructions and instructions on how to return defective components to Axis.

● SYSTEM (S#)

Wall Wash Perfekt linear systems, with the use of a strong profile, allow for a nearly hair thin connection system of continuous runs. Lengths of 1', 2', 4', 8', 12' as well as custom lengths are available in 1' increments. Runs of Wall Wash Perfekt that are greater than 12' in length are designated as systems (S#). This means that the run is comprised of a combination 4', 8' and/or 12' sections to be assembled on site using our joining system. For more information on systems and joining, please refer to the Wall Wash Perfekt installation sheets available for download at www.axislighting.com.

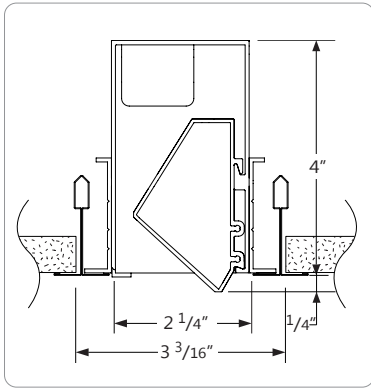
● WEIGHT

Recessed LED 4 ft	10.5 lbs / 4.8 kg
Recessed LED 8 ft	21.0 lbs / 9.6 kg
Recessed LED 12 ft	31.5 lbs / 14.4 kg

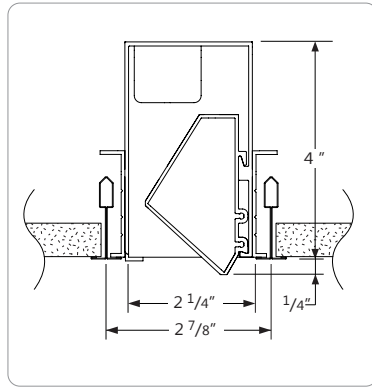
● FINISHES

Powder coated and custom finishes are also available.

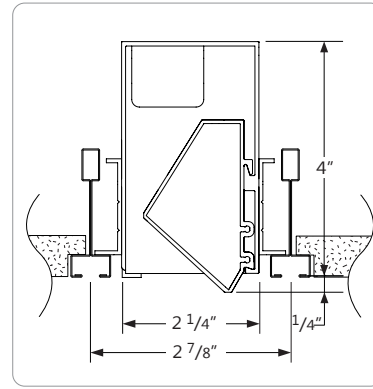
● TB CEILING MOUNTING OPTIONS



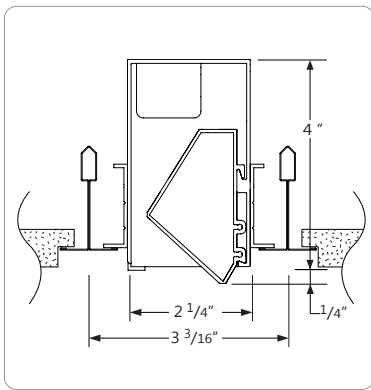
TB15 15/16" T-BAR



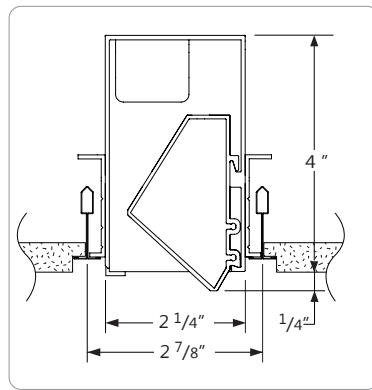
TB9 9/16" T-BAR



ST SCREW SLOT T-BAR

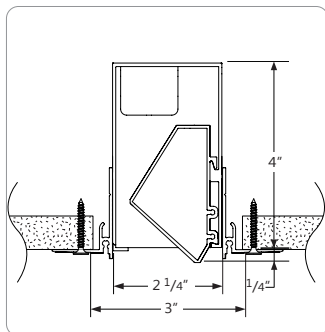


TG15 15/16" TEGULAR

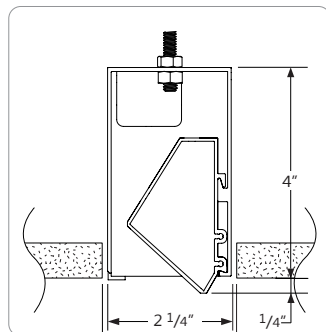


TG9 9/16" T-TEGULAR

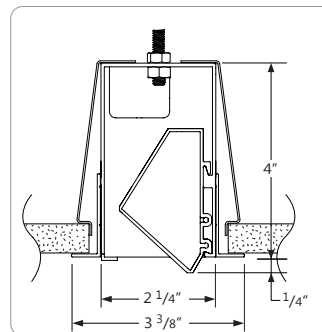
● DRYWALL CEILING MOUNTING OPTIONS



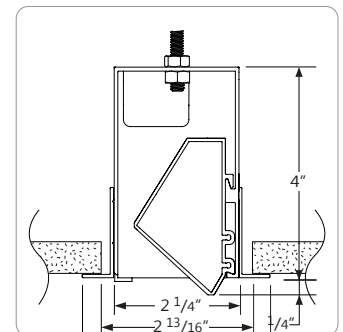
DS SPACKLE FLANGES



D FLANGELESS WITH 1/4-20 STUD MOUNTING



DB VISIBLE FLANGES WITH SLIP-THROUGH BRACKET



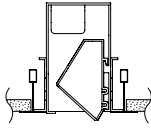
DF VISIBLE FLANGES WITH 1/4-20 STUD MOUNTING

i Specification sheets and installation sheets for all mountings for WALL WASH PERFECT luminaires are available for download at www.axislighting.com

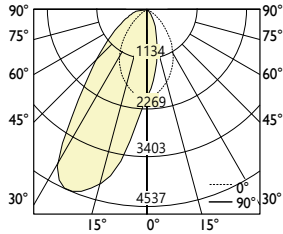
● PHOTOMETRIC DATA

WW Walwash - LOUVER

1000 lm/ft



PHOTOMETRIC CURVE



Total Lumens: 3999 lm (for 4ft)
Lumens ft/down: 1000 lm/ft
Input Watts: 95.2 W
Efficacy: 42 lm/W
 IES FILE: WWR-SL-1000-80-35-L-4.IES

TESTED ACCORDING TO IES LM-79-2008

CANDELA DISTRIBUTION

Vertical Angle	Horizontal Angles				
	0	22.5	45	67.5	90
0	2005	2005	2005	2005	2005
5	2027	2199	2383	2533	2553
15	1800	2509	3433	3966	4146
25	1485	2596	3562	4225	4537
35	1075	2164	3043	3063	3056
45	608	1483	1765	1636	1708
55	256	760	923	947	1019
65	80	245	471	546	611
75	14	64	210	321	388
85	2	5	45	139	202
90	1	1	1	5	12

ZONAL LUMENS

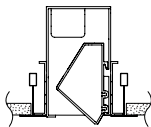
Zone	Lumens
0	
0-10	195
10-20	600
20-30	904
30-40	908
40-50	646
50-60	389
60-70	209
70-80	108
80-90	40
90	

LUMINANCE DATA (cd/m²)

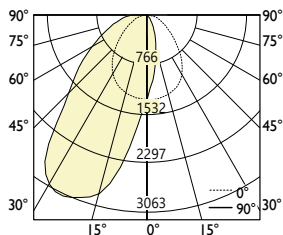
Vertical Angle	Horizontal Angles		
	0	45	90
45	24684	71703	69375
55	12839	46226	51008
65	5428	31979	41537
75	1606	23315	43097
85	763	14687	66565

WW Walwash - MAL

1000 lm/ft



PHOTOMETRIC CURVE



Total Lumens: 4001 lm (for 4ft)
Lumens ft/down: 1000 lm/ft
Input Watts: 49 W
Efficacy: 82 lm/W
 IES FILE: WWR-SL-1000-80-35-MAL-4.IES

TESTED ACCORDING TO IES LM-79-2008

CANDELA DISTRIBUTION

Vertical Angle	Horizontal Angles				
	0	22.5	45	67.5	90
0	1288	1288	1288	1288	1288
5	1296	1446	1597	1703	1725
15	1259	1801	2414	2751	2833
25	1155	2010	2656	2970	3063
35	944	1864	2523	2740	2743
45	653	1504	2040	1776	1708
55	416	1064	1302	1236	1210
65	258	602	849	816	799
75	159	312	485	531	535
85	48	128	227	316	336
90	0	55	125	195	223

ZONAL LUMENS

Zone	Lumens
0	
0-10	131
10-20	425
20-30	678
30-40	794
40-50	700
50-60	539
60-70	374
70-80	236
80-90	124
90	

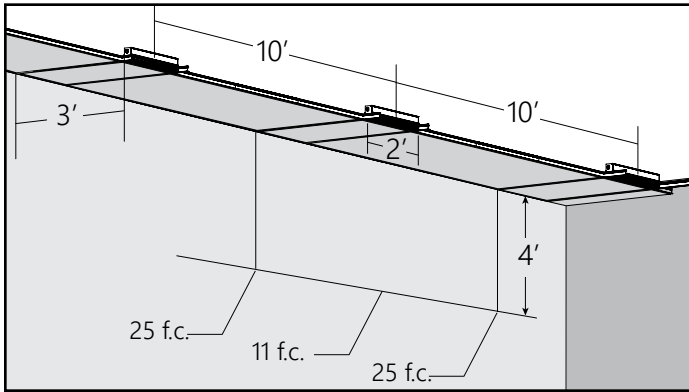
LUMINANCE DATA (cd/m²)

Vertical Angle	Horizontal Angles		
	0	45	90
45	25622	80110	67068
55	20160	63024	58590
65	16949	55811	52507
75	17033	52034	57369
85	15219	72247	107071

i All IES files are available for download at: www.axislighting.com

● **POWERFUL, COST-EFFECTIVE SURROUNDITE™**

With innovative patent-pending asymmetric SurroundLite™ optics, Wall Wash Perfekt luminaires can be spaced wider apart while maintaining a consistent, quality wall washing effect.



3 Feet From Wall

	10'								10'									
Vertical Distance From Ceiling ↓	1'	24	23	17	11	7	11	17	23	24	23	17	11	7	11	17	23	24
	2'	26	25	19	13	8	13	19	25	26	25	19	13	8	13	19	25	26
	3'	26	25	20	15	10	15	20	25	26	25	20	15	10	15	20	25	26
	4'	25	25	20	16	11	16	20	25	25	25	20	16	11	16	20	25	25
	5'	21	21	18	15	11	15	18	21	21	21	18	15	11	15	18	21	21
	6'	17	17	15	13	10	13	15	17	17	17	15	13	10	13	15	17	17
	7'	13	13	13	11	9	11	13	13	13	13	13	11	9	11	13	13	13
	8'	11	10	10	9	8	9	10	10	11	10	10	9	8	9	10	10	11
	9'	9	9	8	8	7	8	8	9	9	9	8	8	7	8	8	9	9

*Illuminances shown below were calculated using 1000lm/ft output