

PFX-3162

Amber LED Full Cut-off Wall Pack Light for Turtle Safe



INTRODUCTION

- PFX- 3162 is specifically designed for Turtle Safe compliance, emitting amber light with a wavelength of 590 nanometers. While meeting pedestrians' nighttime lighting requirements, it minimizes ecological disturbance to marine life.
- PFX-3162 Light matches traditional metal halide wall lights in size, fully covering old stains. A high-quality polycarbonate lens, which works with a high-efficiency light engine to provide superior illumination.
- Low-impact exterior wall lighting ideal for coastal buildings, farm warehouses, residential exteriors, and environmentally sensitive areas.



PRODUCT SPECIFICATION

Construction:

- Rugged die-casting aluminum housing with bronze powder coating for durability. Castings are sealed with integral gaskets to prevent the ingress of external contaminants.

Optics:

- Turtle and wildlife friendly 590nm amber light.

Electrical:

- Equipped with a 0-10V continuous driver; Min.Dim Level: 0%. The dimming wires are available for connection to a dimmer.
- Input voltage is 120-277VAC, 50/60Hz.
- Designed to withstand surges of up to L/N-PE:6kV and L-N:4kV.

Finish:

- Standard color is Dark Bronze.

Ambient Temperature:

- -40° F (-40° C) to 113° F (45° C)

Compliances:

- cULus listed for wet locations.max ambient temperature rating 45°C

Warranty:

- 5-year limited warranty.

ORDERING GUIDE

Example: PFX-3162-63WSAMBUVDPC

Model	Wattage Selectable	LED Color YYY	Input Voltage AA	Finish YY	Photocontrol K	Emergency Battery Y
PFX-3162	63WS 63W/45W/30W	AMB Amber 590nm	UV 120-277VAC	DC DarkBronze(standard)	P with photocell	Blank without emergency E with emergency
	125WS 125W/105W/76W Note: WS=Wattages Selectable			OPTIONAL WC White color BC Black color SC Silver color OC Other color		

Note: 1.63WS=63W, 45W, 30W Selectable, 63W default setting. 125WS=125W, 105W, 76W Selectable, 125W default setting.

Disclaimer:

Due to the rapid pace of technology change in the Lighting industry, the Information and Data presented in this spec sheet is for reference purposes only, please confirm with PARAFLEX at the time of finalizing the order or design. PARAFLEX does not warrant or represent that the information is free from errors or omission. The information may change without notice and PARAFLEX is not in any way liable for the accuracy of any information printed and stored or in any way interpreted or used.

PFX-3162

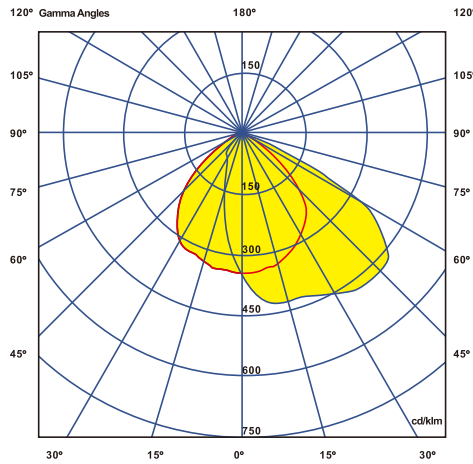
Amber LED Full Cut-off Wall Pack Light for Turtle Safe



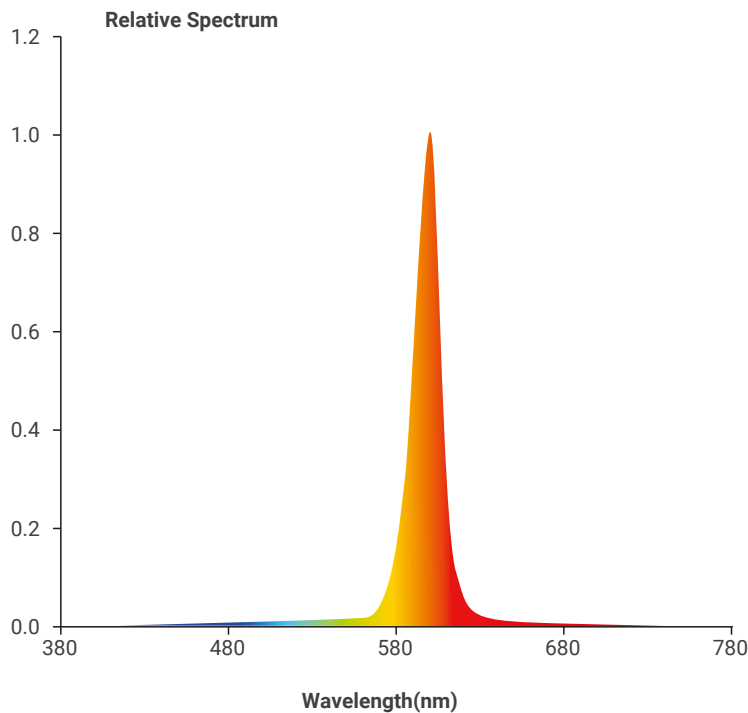
PERFORMANCE DATA

Model	Wattage	Lumen	LED Color	Input voltage
PFX-3162-63WSAMBUVZZPY	63/45/30W	Max.1,800lm	Amber 590nm	120-277VAC 50/60Hz
PFX-3162-125WSAMBUVZZPY	125/105/76W	Max.2,150lm		

PHOTOMETRICS



SPECTRAL CHART



Disclaimer:
Due to the rapid pace of technology change in the Lighting industry, the Information and Data presented in this spec sheet is for reference purposes only, please confirm with PARAFLEX at the time of finalizing the order or design. PARAFLEX does not warrant or represent that the information is free from errors or omission. The information may change without notice and PARAFLEX is not in any way liable for the accuracy of any information printed and stored or in any way interpreted or used.

PFX-3162

Amber LED Full Cut-off Wall Pack Light for Turtle Safe



ELECTRICAL DATA

Model Series	Wattage(W)	Current (A)			
		Input Voltage (V)			
		120	208	240	277
PFX-3162-63WS	30	0.28	0.16	0.14	0.12
	45	0.42	0.24	0.21	0.18
	63	0.58	0.34	0.29	0.25
PFX-3162-125WS	76	0.72	0.42	0.36	0.31
	105	0.97	0.56	0.49	0.42
	125	1.16	0.67	0.58	0.50

VERSATILE SELECTION CAPABILITY

1
2
3

Power Setting		
Size	Power Selection	Default Setting
Small	Adjust power between 63/45/30W	63W
Large	Adjust power between 125/105/76W	125W

Note: Before Setting Power, loosen the 2 cap ve screws in the side of front housing, remove the front case set carefully from the back plate.

ACCESSORIES

Control Options

Comes as standard

PC-B
Photocell-With Sunshade Cover

Emergency Battery Backup

Factory-Installable OR Field-Installable (field-installable purchased separately)

PFX-3162-EM
Emergency Battery Backup EMX-08300DO-HY-8W/90min, at 120-277VAC

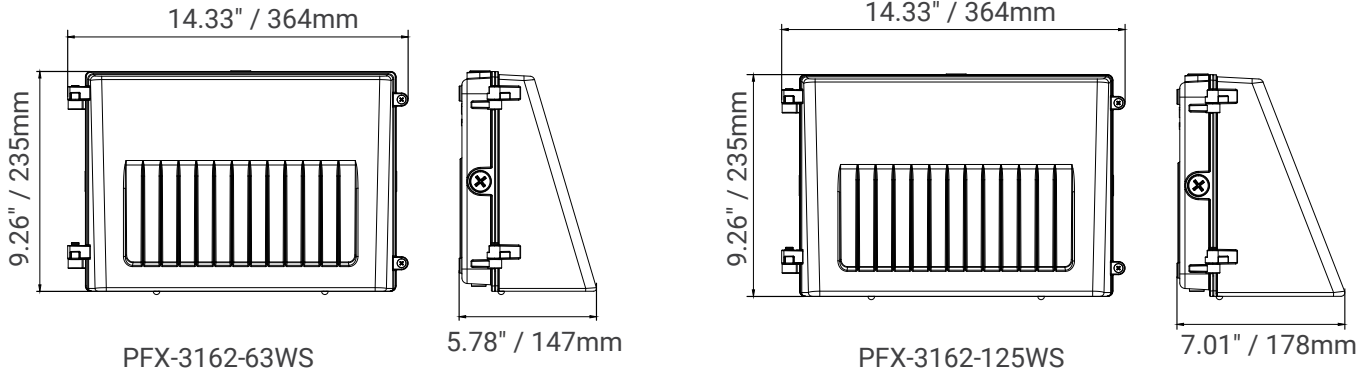
Disclaimer:
Due to the rapid pace of technology change in the Lighting industry, the Information and Data presented in this spec sheet is for reference purposes only, please confirm with PARAFLEX at the time of finalizing the order or design. PARAFLEX does not warrant or represent that the information is free from errors or omission. The information may change without notice and PARAFLEX is not in any way liable for the accuracy of any information printed and stored or in any way interpreted or used.

PFX-3162

Amber LED Full Cut-off Wall Pack Light for Turtle Safe



DIMENSIONS



SHIPPING INFORMATION

Model	Carton Size (in)	G.W. (lbs)	Per carton (pcs)	20GP (pcs)	40HQ (pcs)
PFX-3162-63WS	15.75 x 11.42 x 7.17	7.91	1	1,088	2994
PFX-3162-125WS	15.75 x 11.42 x 8.43	9.50	1	940	2586

Note: The packaging data can some times be outdated or incomplete. For the most reliable information, please reach out to us directly.

Disclaimer:

Due to the rapid pace of technology change in the Lighting industry, the Information and Data presented in this spec sheet is for reference purposes only, please confirm with PARAFLEX at the time of finalizing the order or design. PARAFLEX does not warrant or represent that the information is free from errors or omission. The information may change without notice and PARAFLEX is not in any way liable for the accuracy of any information printed and stored or in any way interpreted or used.